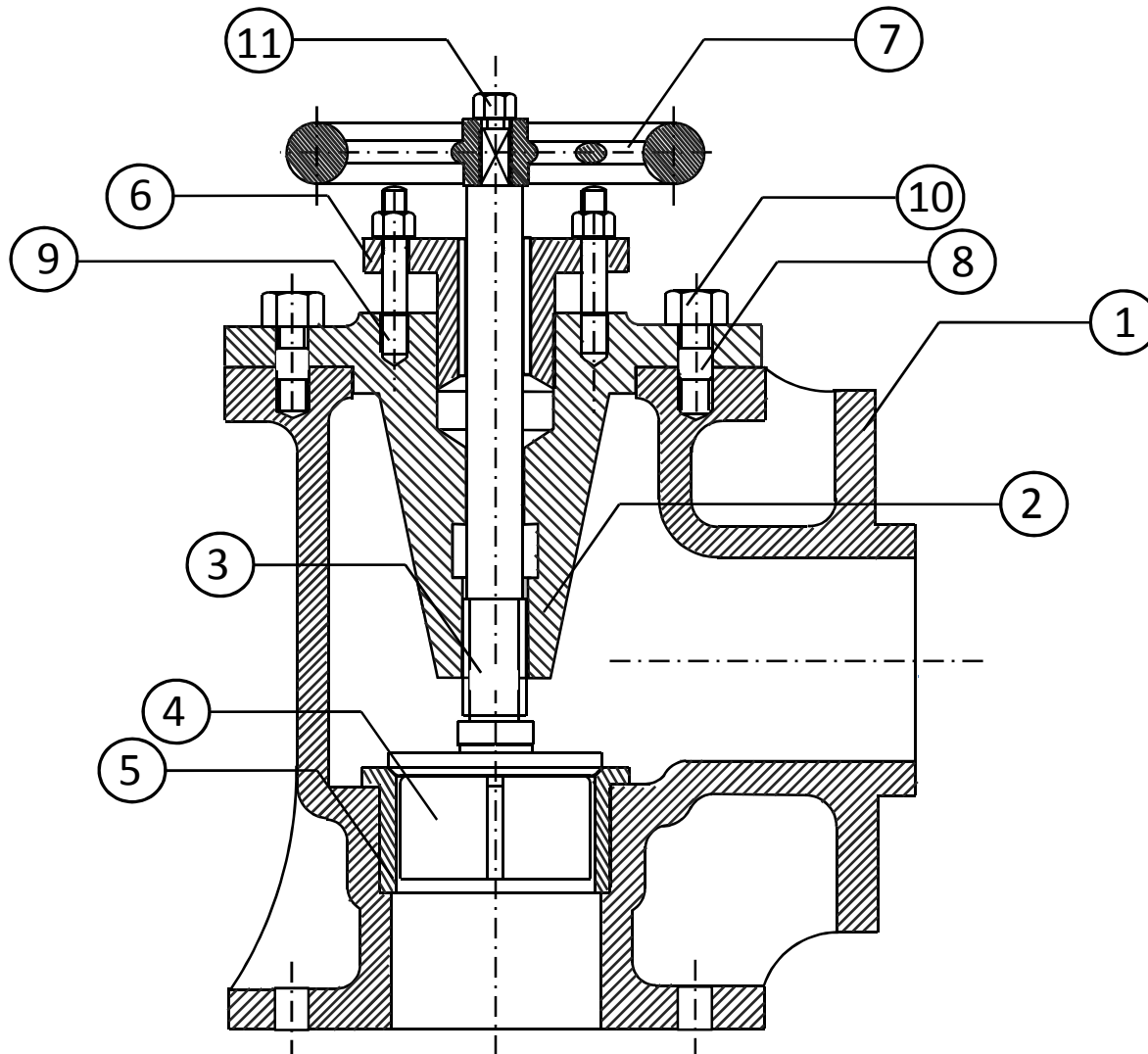


Feed Check Valve



PART LIST

NO.	PART	MATERIAL	QTY
1	BODY	CI	1
2	COVER	CI	1
3	SPINDLE	MS	1
4	VALVE	GM	1
5	VALVE SEAT	GM	1
6	GLAND	GM	1
7	HAND WHEEL	CI	1
8	STUD	MS	6
9	STUD	MS	2
10	NUT	MS	6
11	NUT	MS	3