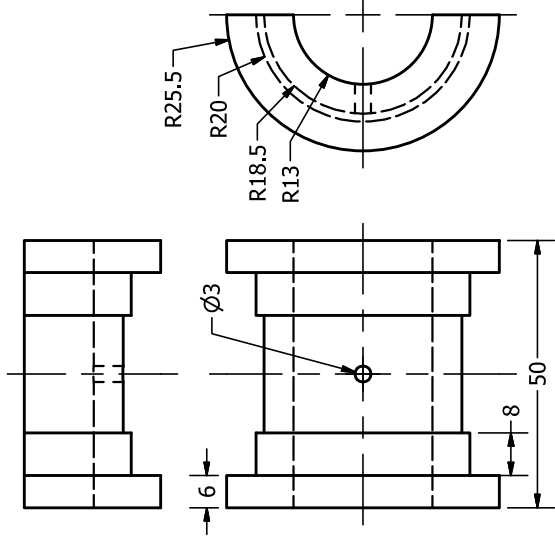
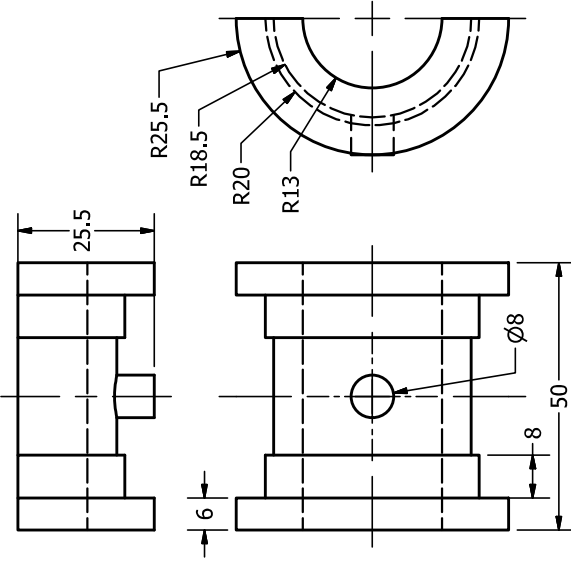


Problem: Draw the **FULL SECTION FRONT VIEW** of the **U-type Hanger** assembly in **1:1 scale**, with **four** major dimensions, **WITHOUT** bill of materials. **4 NUTS M10 (MS)** chamfered at both ends, **6 WASHERS M10 (MS)** and **2 BOLTS M10 (MS)** of length **65**, threaded **26** are required additionally for assembly, at appropriate locations. U-type Hangers are used to support a long shaft hanging horizontally from a ceiling of a room.

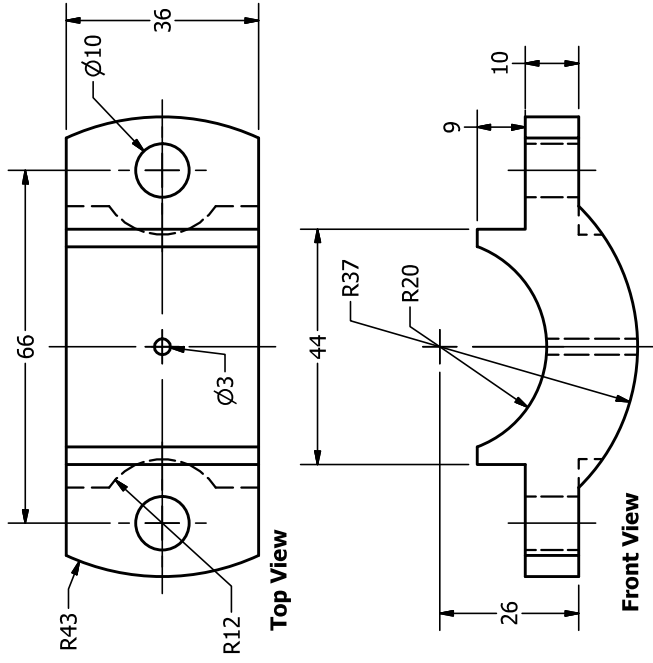
BUSH HALF-2: GUN METAL



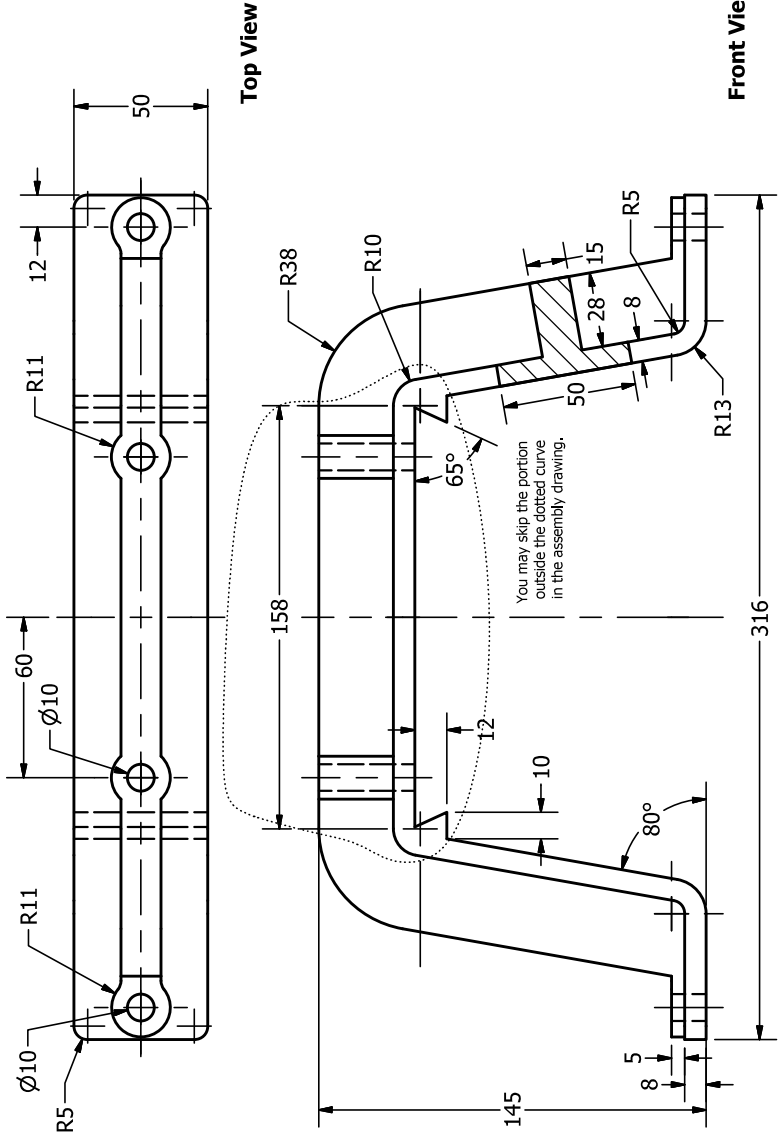
BUSH HALF-1: GUN METAL



CAP: CAST IRON



BRACKET: CAST IRON



PEDASTAL (CAST IRON) STUD (MS) ASSEMBLY

