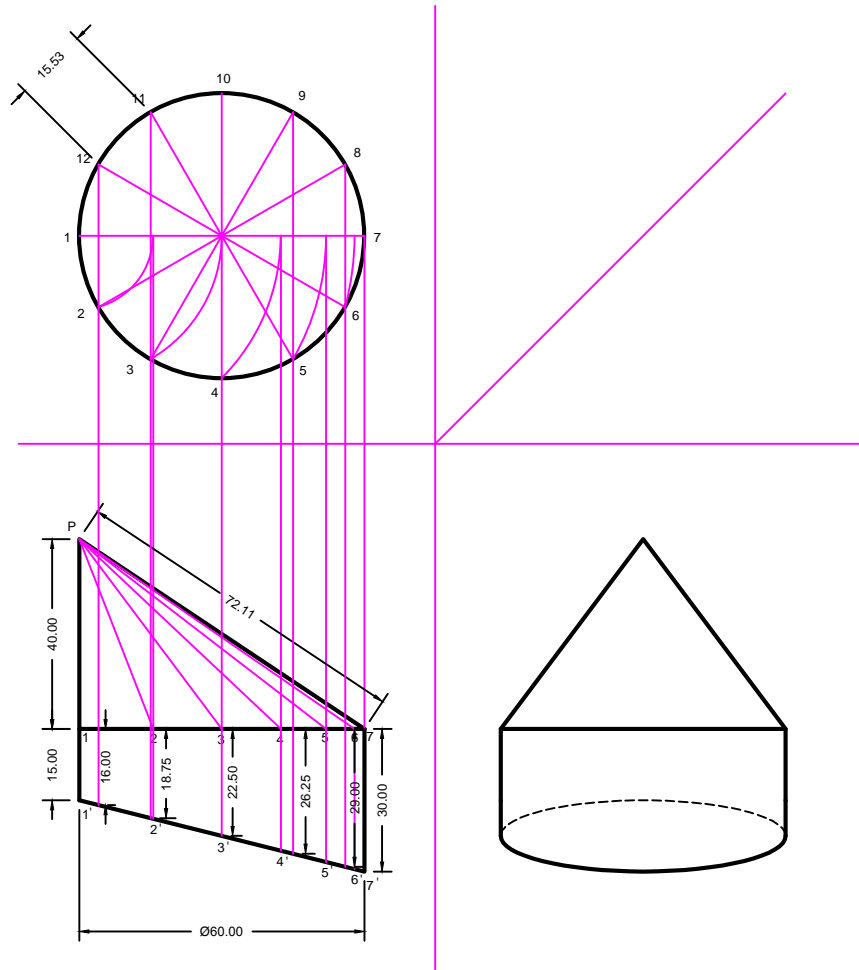
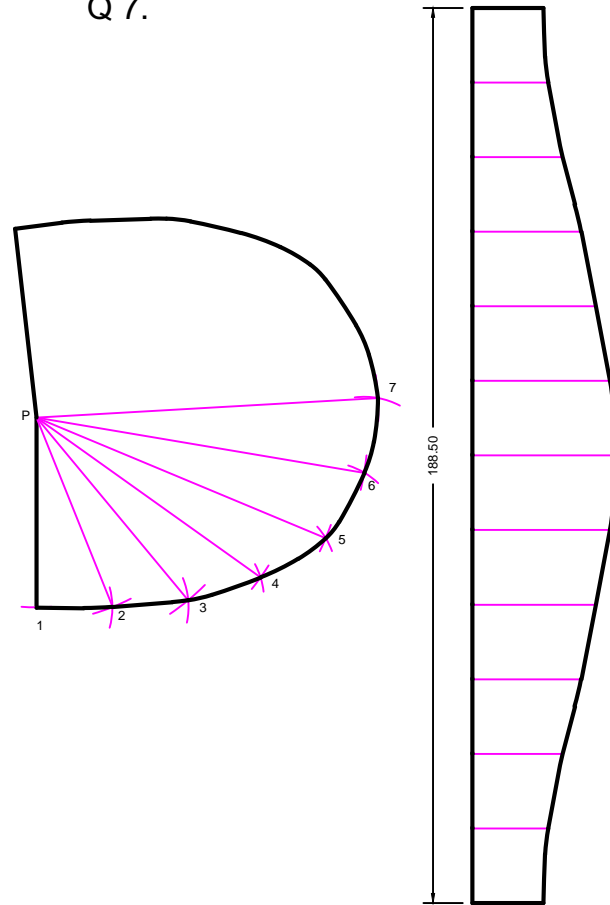


Q7.



Q7.



TA 101, END SEM EXAM. 2014. IIT KANPUR

NAME:

ROLL NO:

SEAT NO.

SECTION:

SIG.: