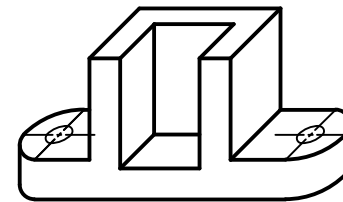
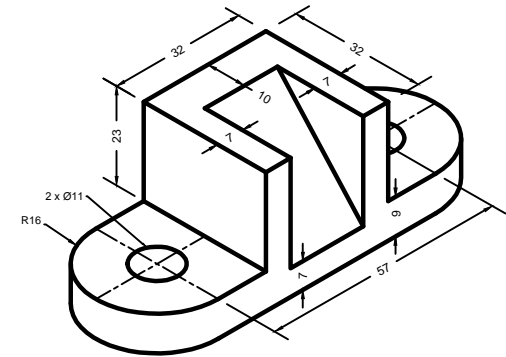
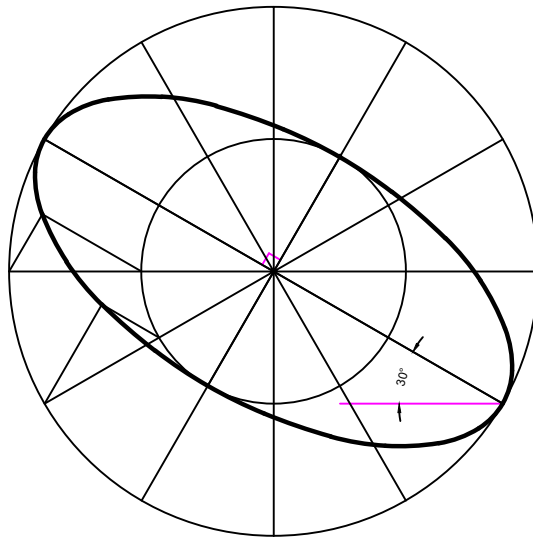
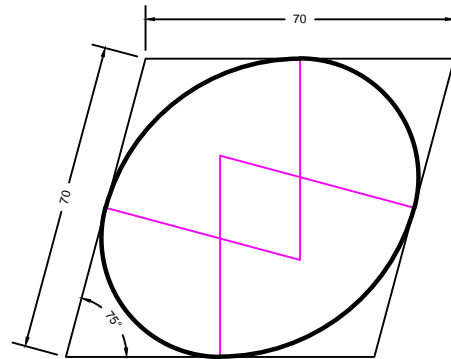


Q. 5 Solution



**B**

TA 101, 1st MID SEM EXAM. 2014. IIT KANPUR

TIME: MAX. MARKS

NAME:

ROLL NO:

SEAT NO.

SECTION:

SIG.: