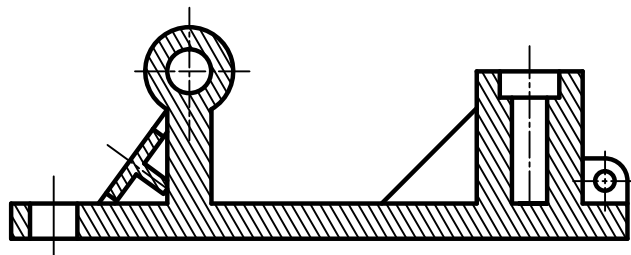
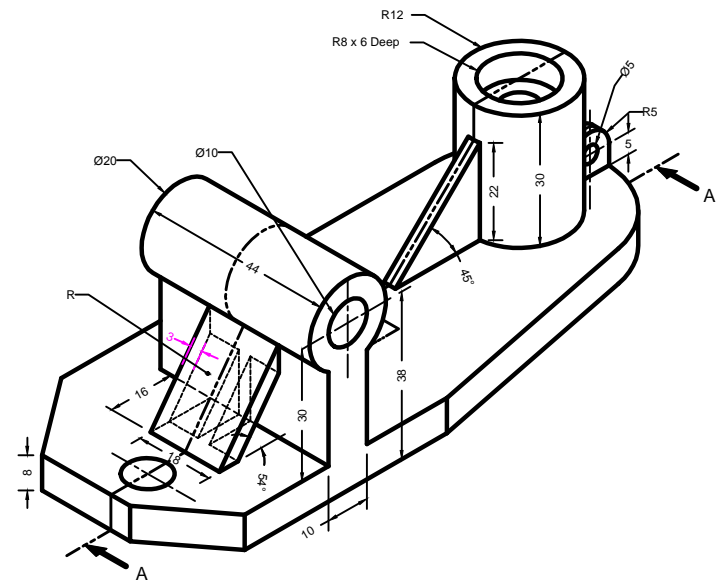
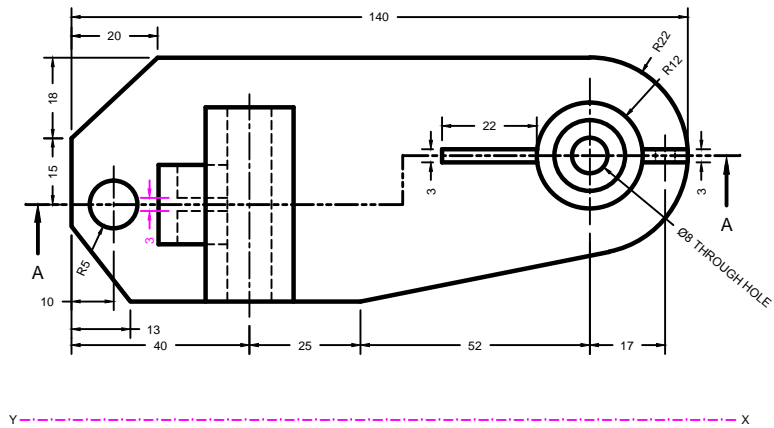


Q.4 Solution



TA 101, 1st MID SEM EXAM. 2014. IIT KANPUR

TIME:

NAME:

ROLL NO:

SEAT NO.

SECTION:

SIG.: