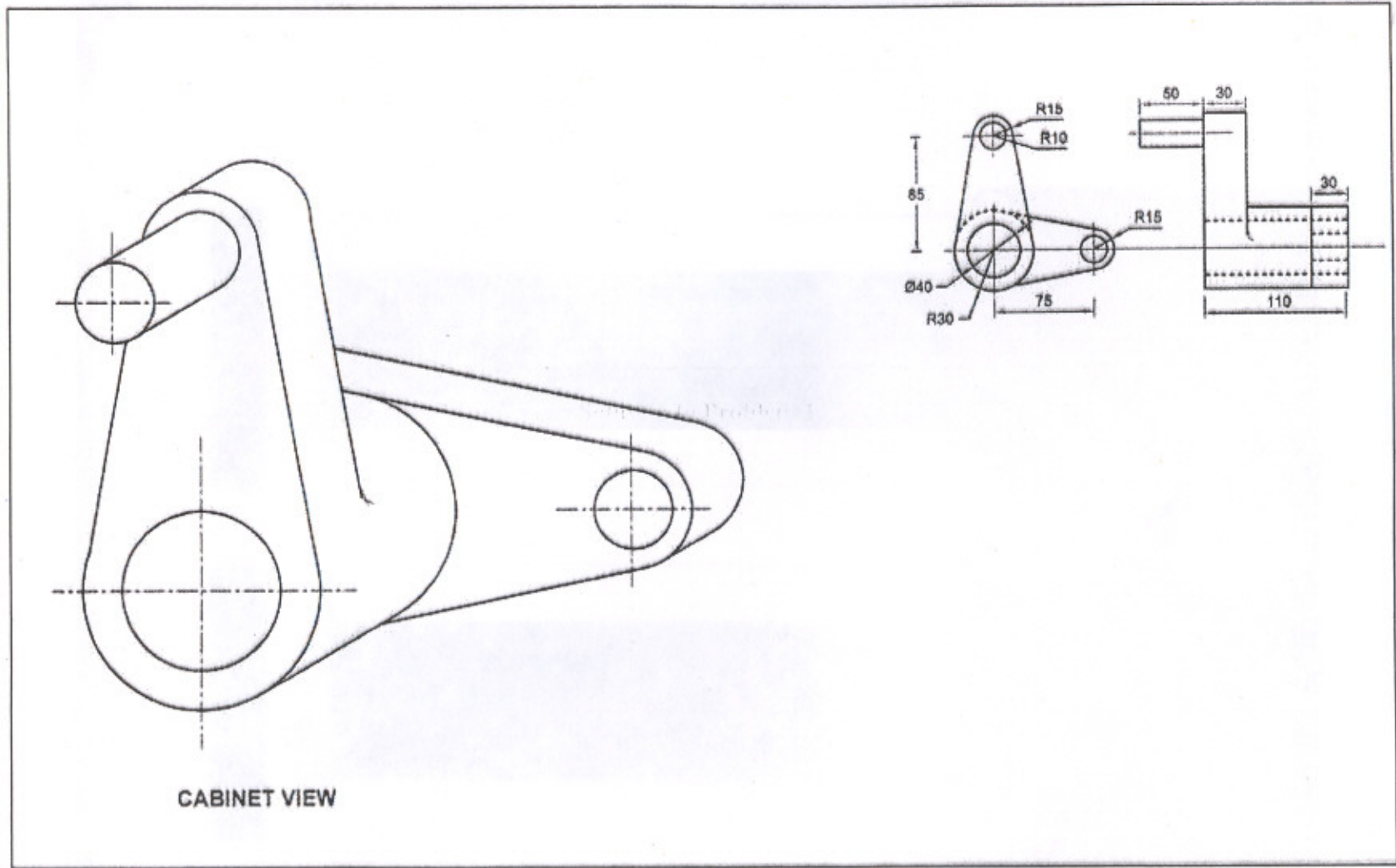
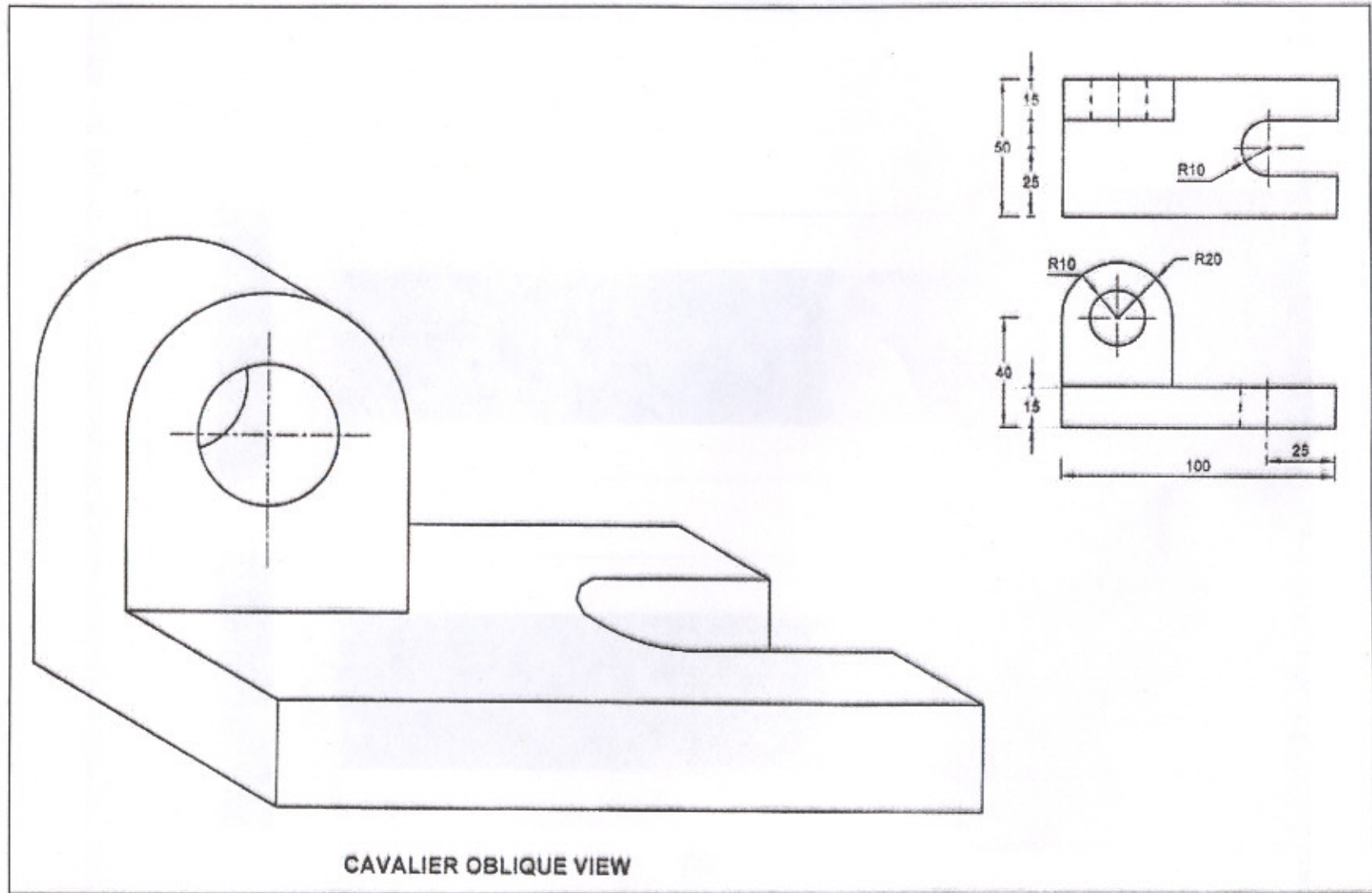


HA-5



Solution to Problem 1



CAVALIER OBLIQUE VIEW