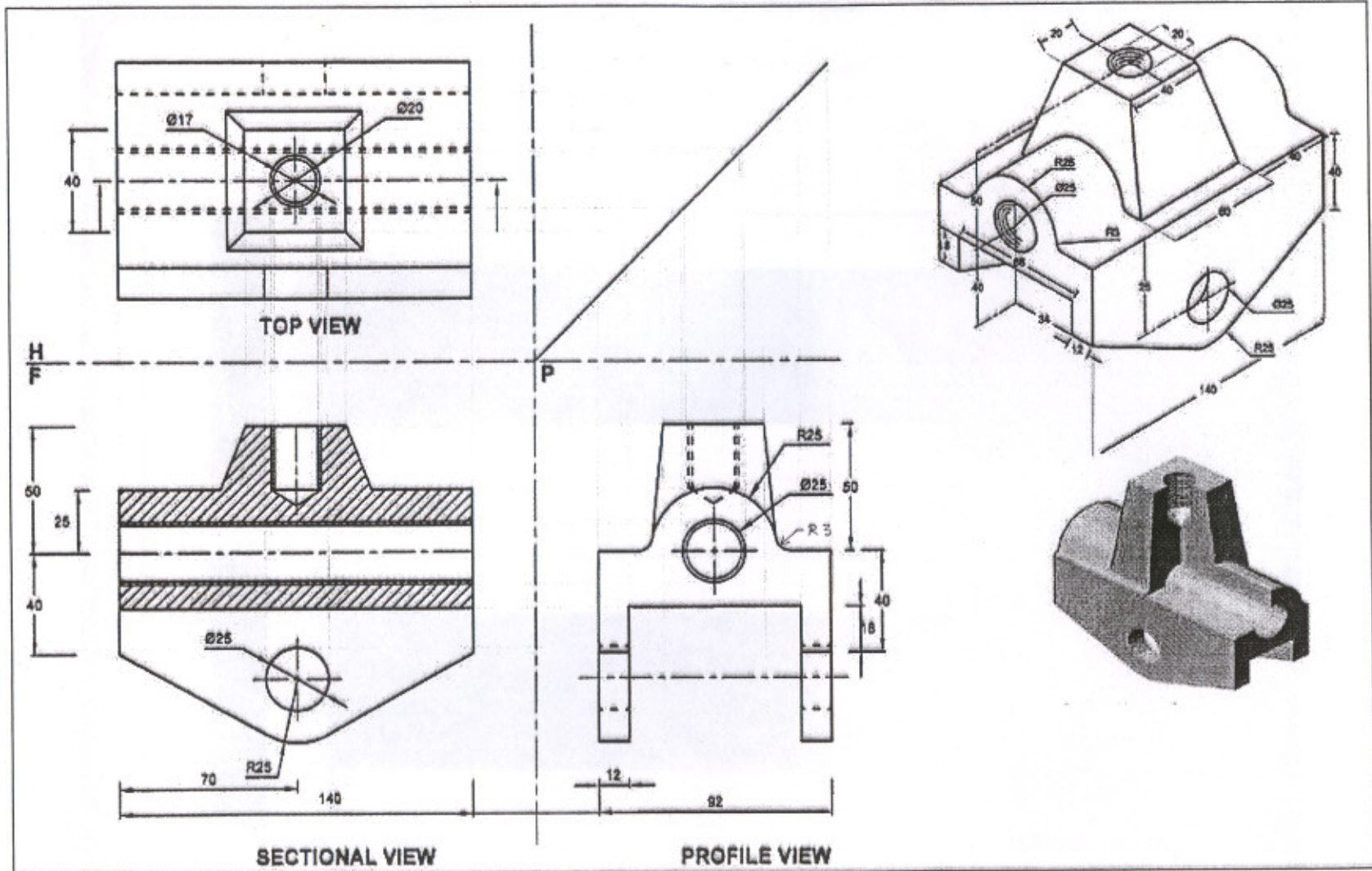
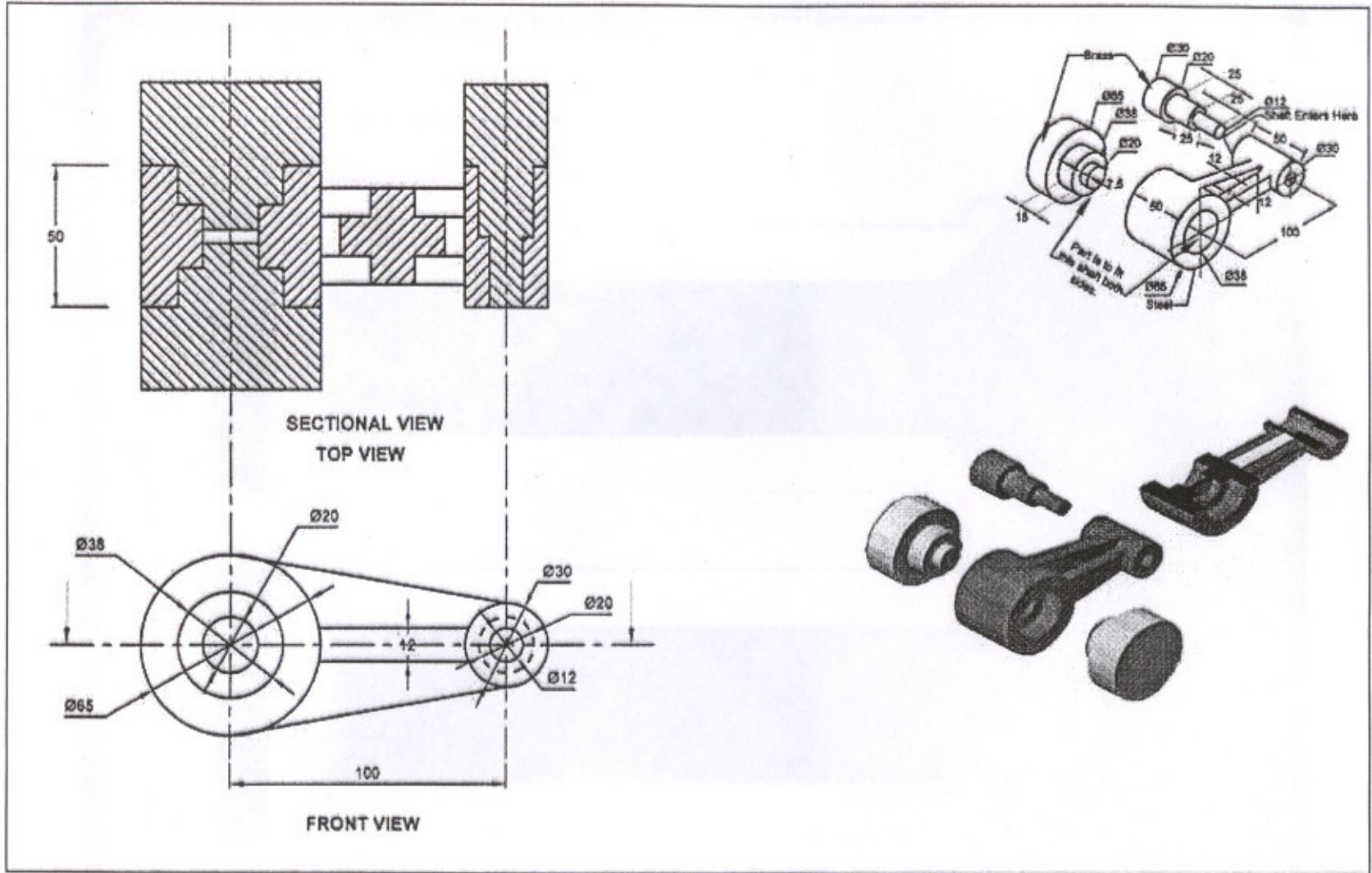


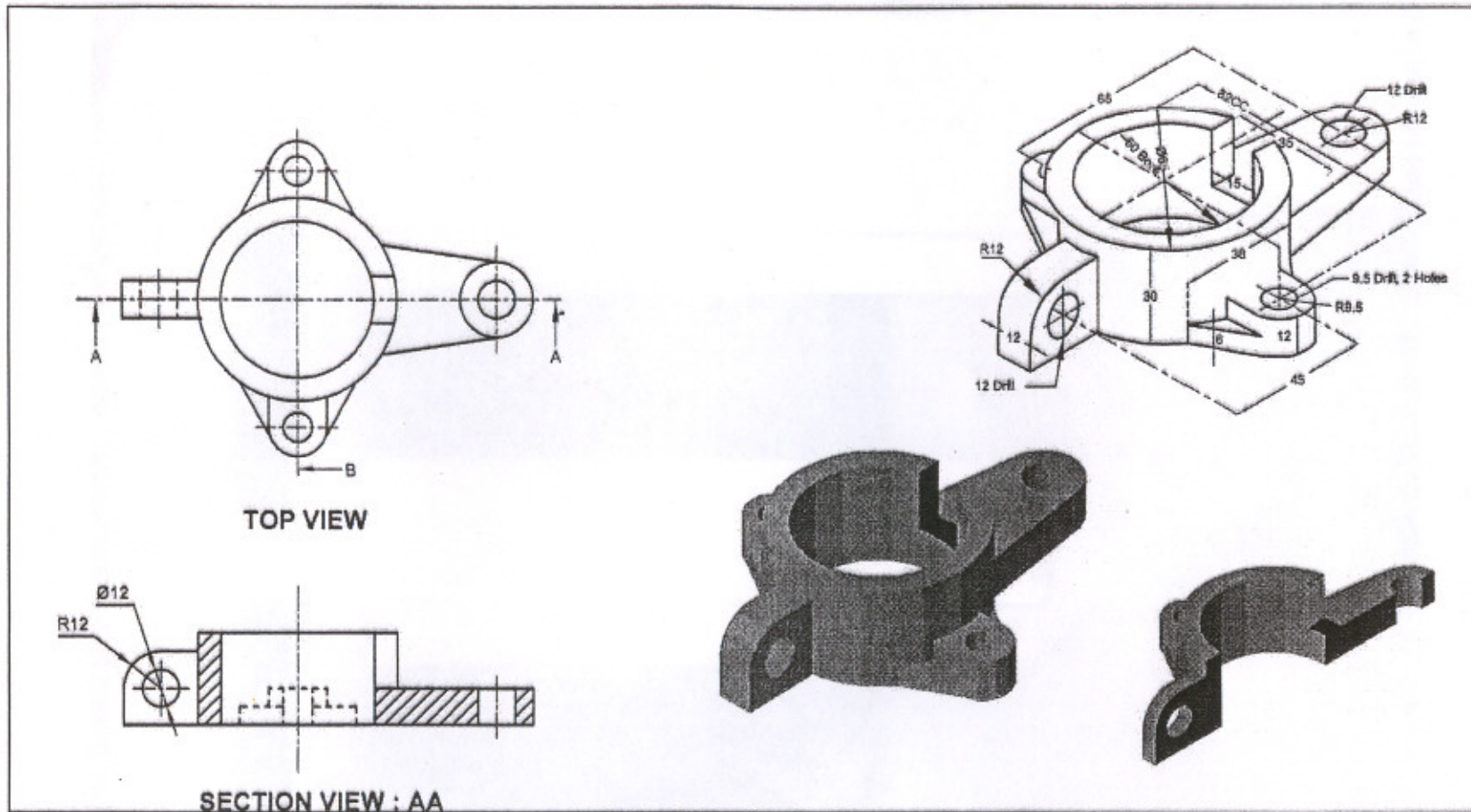
HA-7



Solution to Problem 1

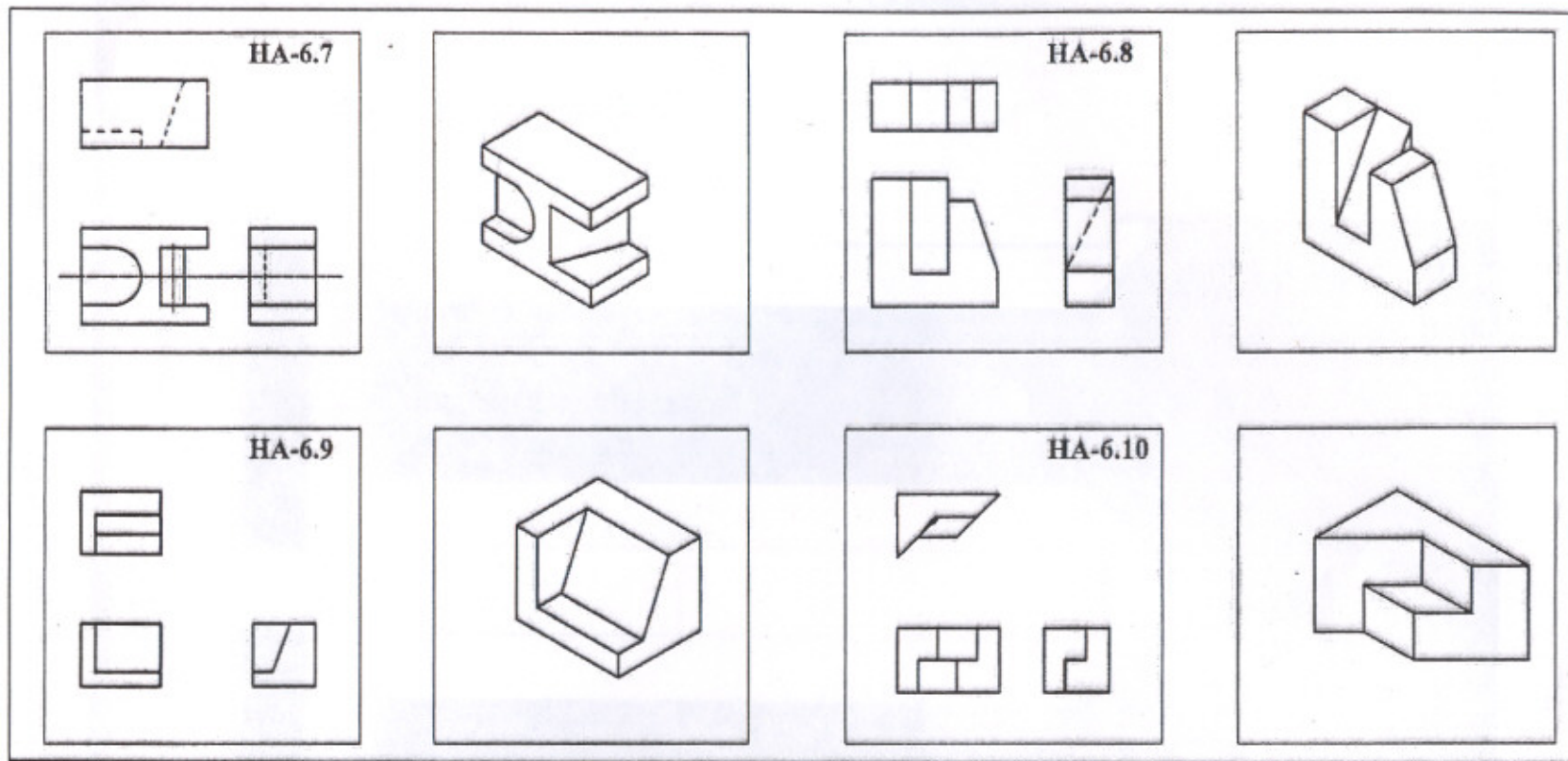


Solution to Problem 2



Solution to Problem 3





Solution to Problem 7 - 10