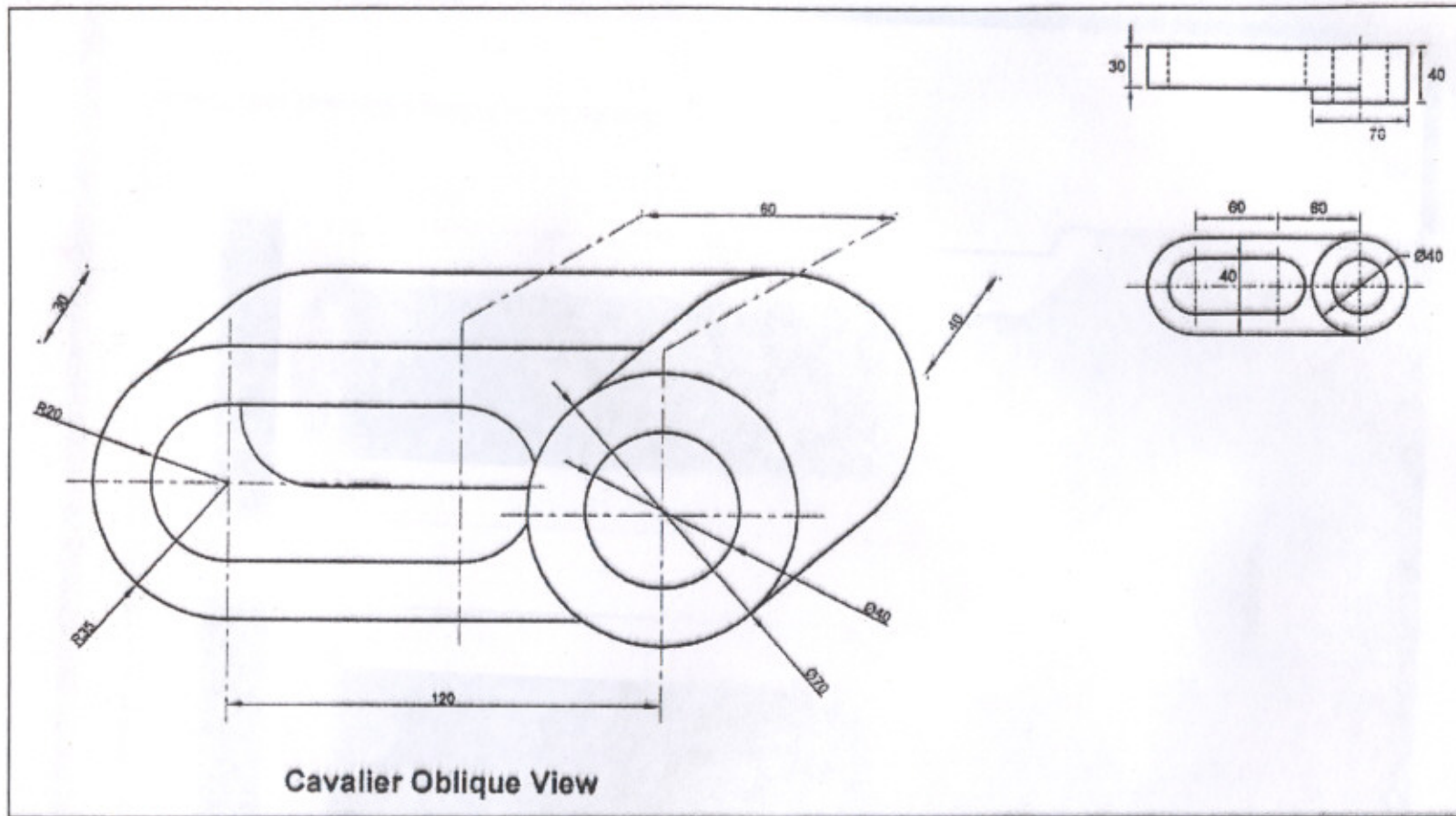
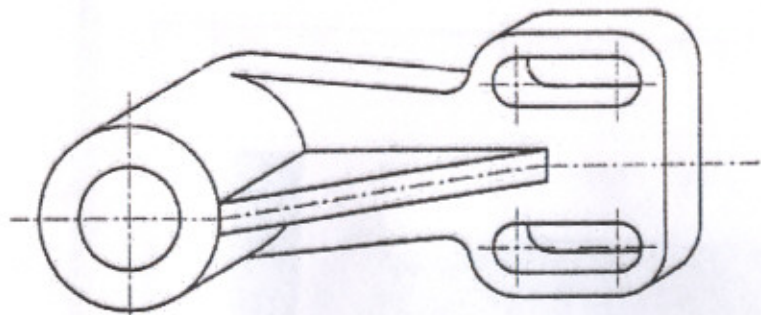


Lab - Assignment No. 5

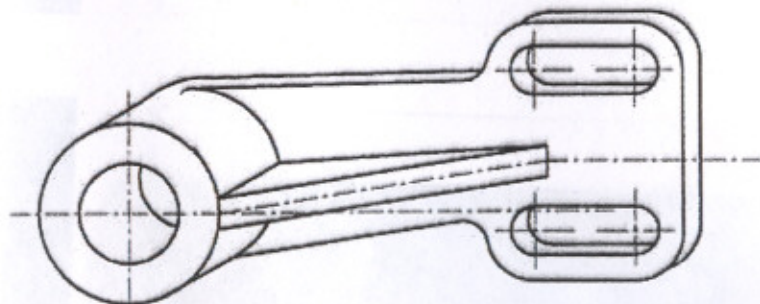


Solution to Problem 1

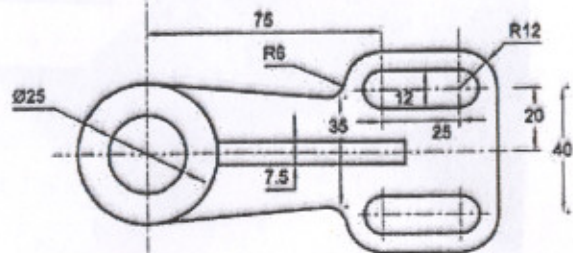
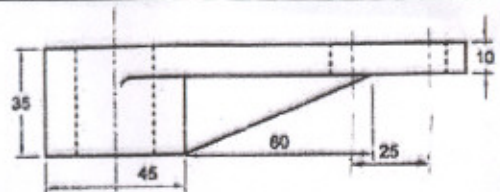


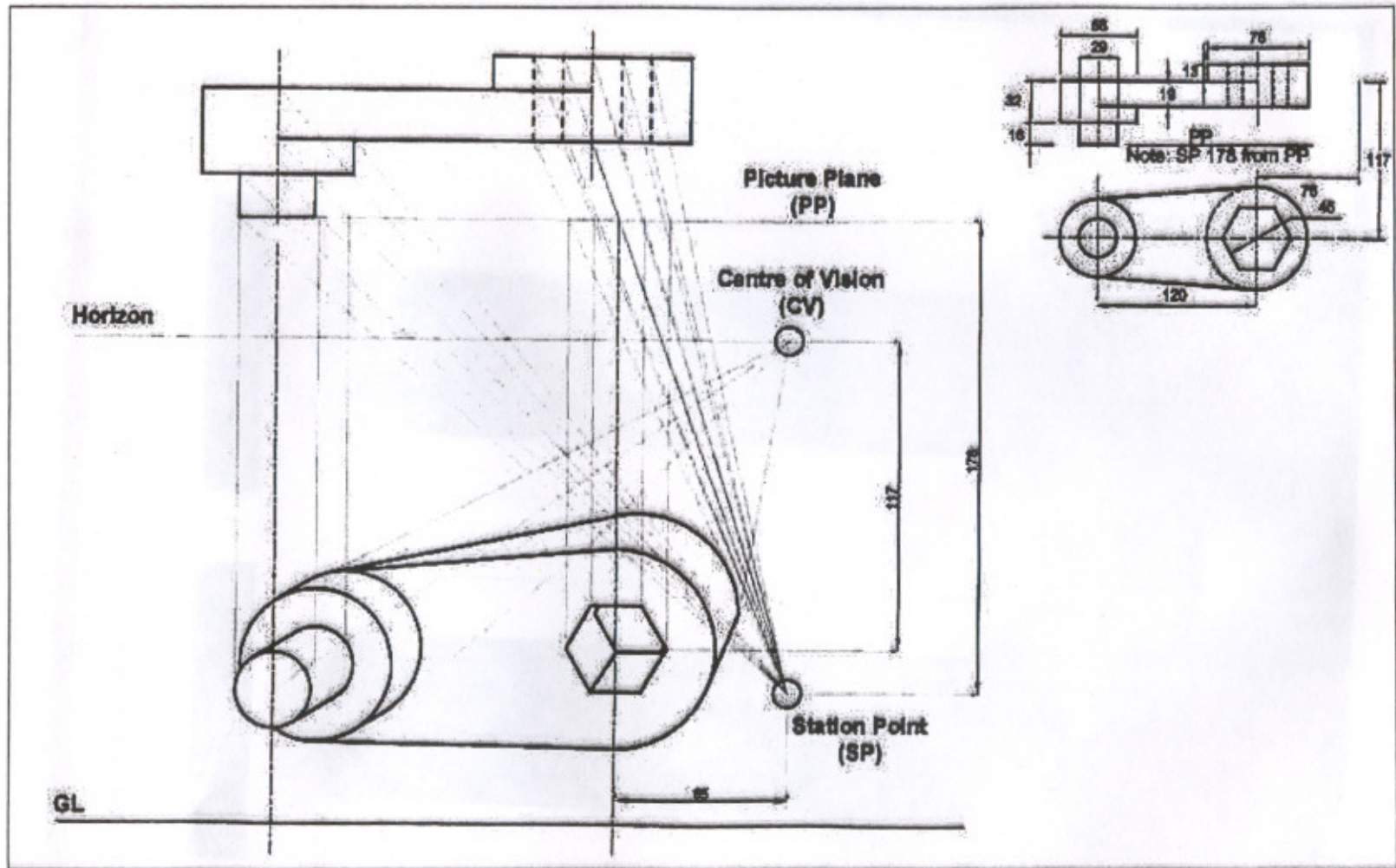


Cavalier Oblique View



Cabinet Oblique View





Solution to Problem 3