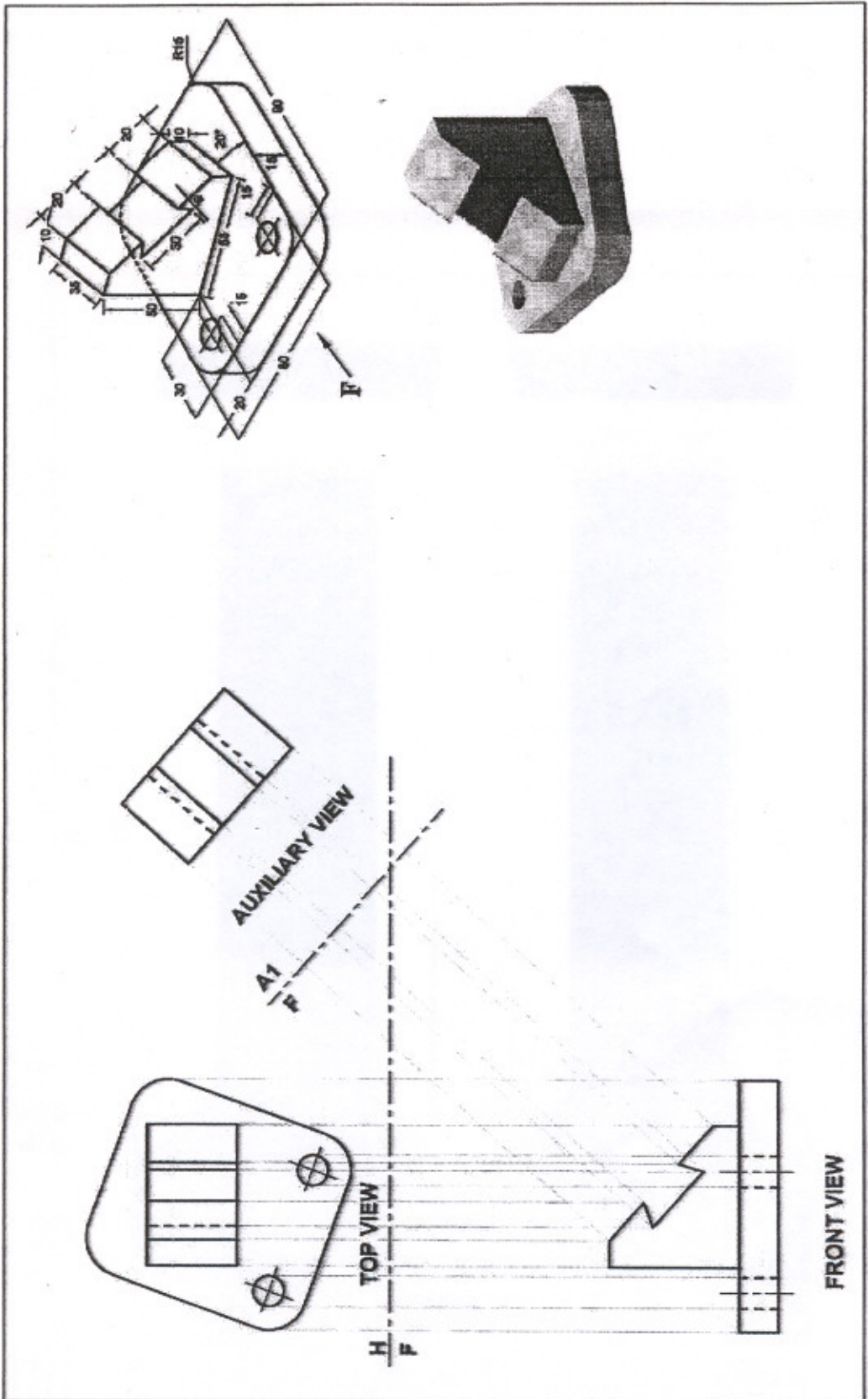
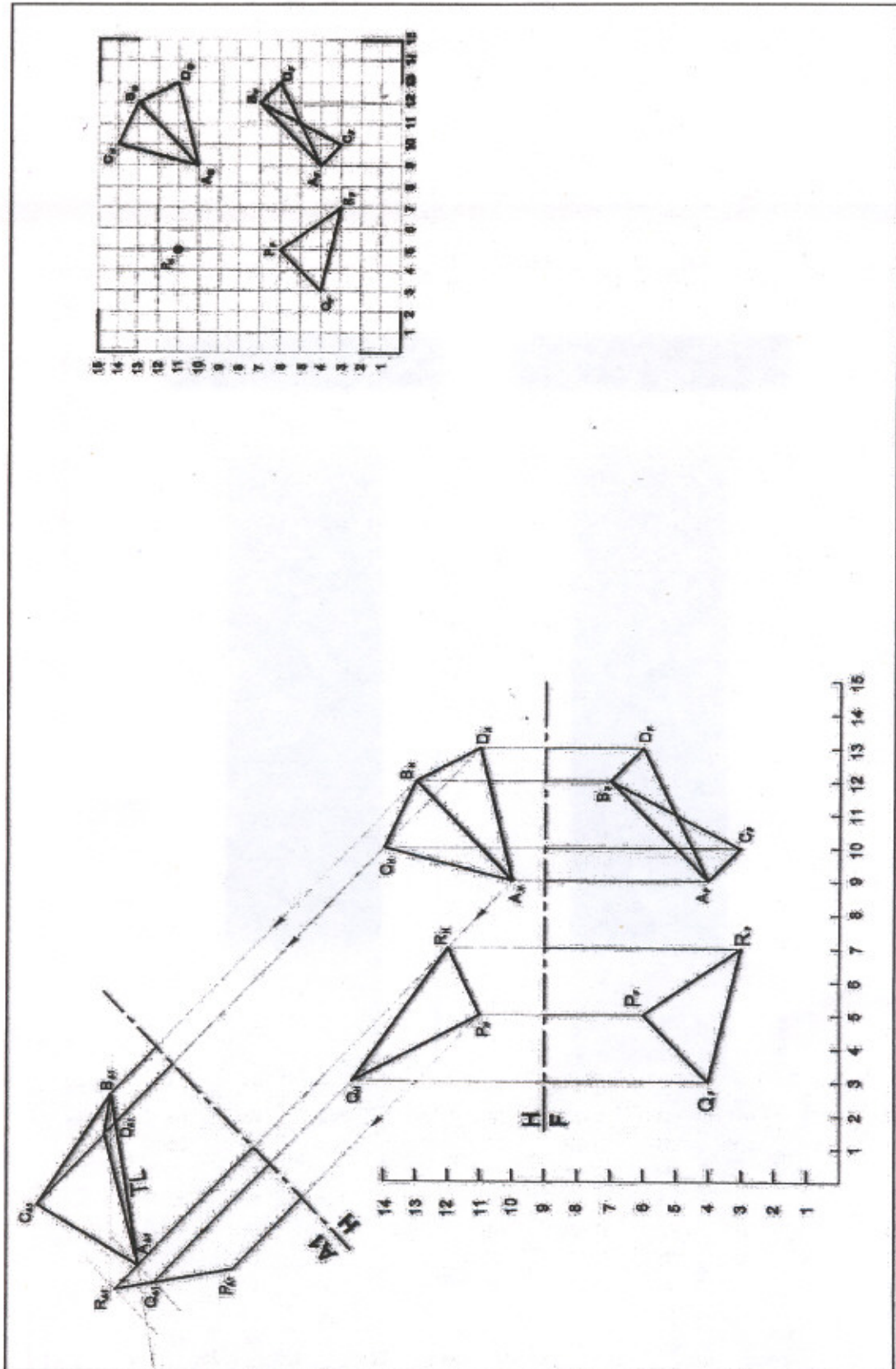


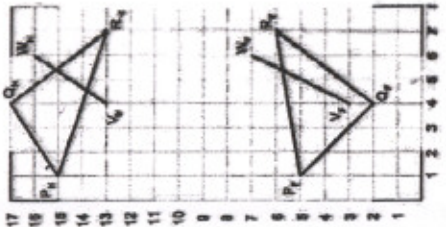
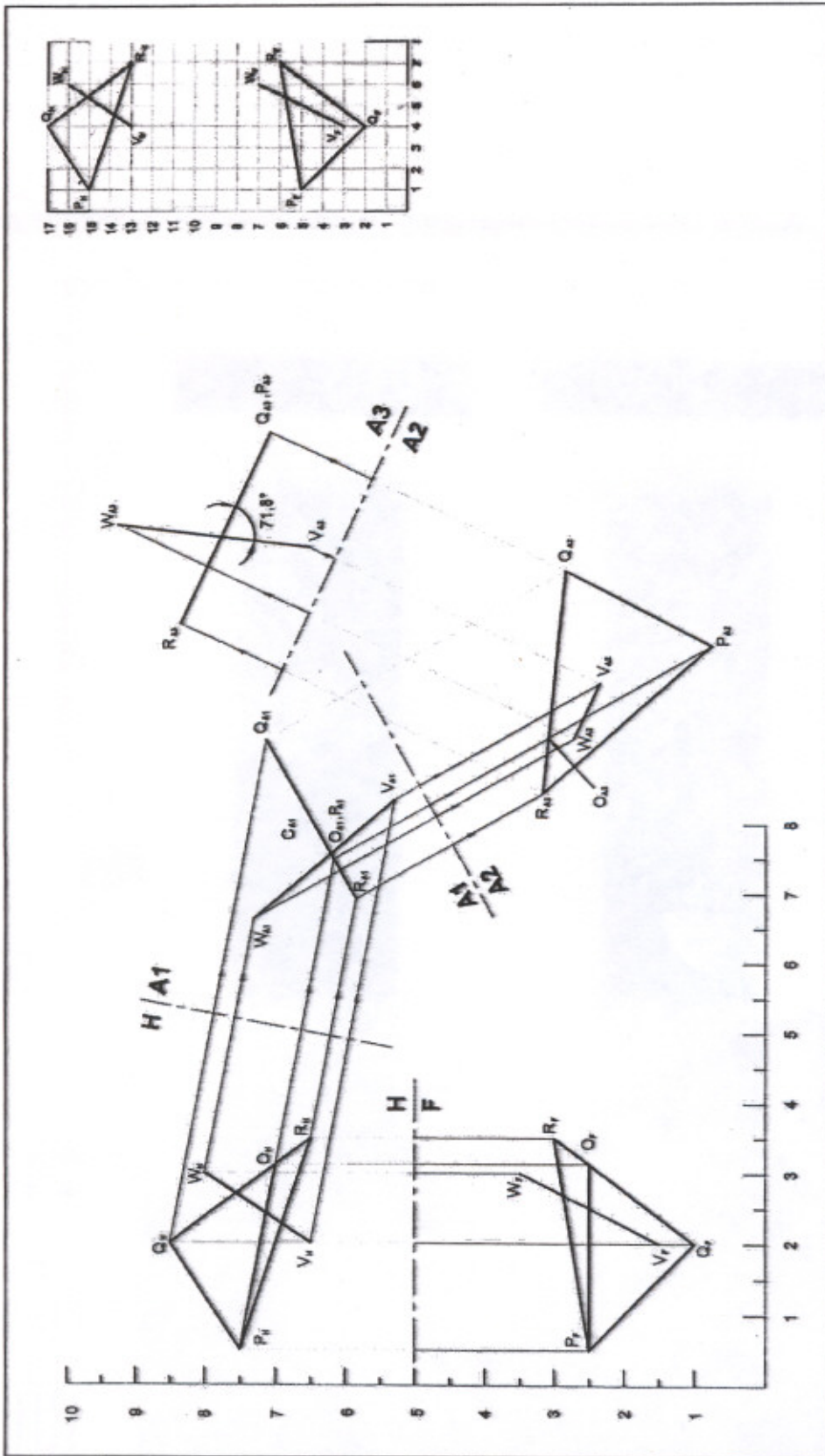
Solution to HA 10.1



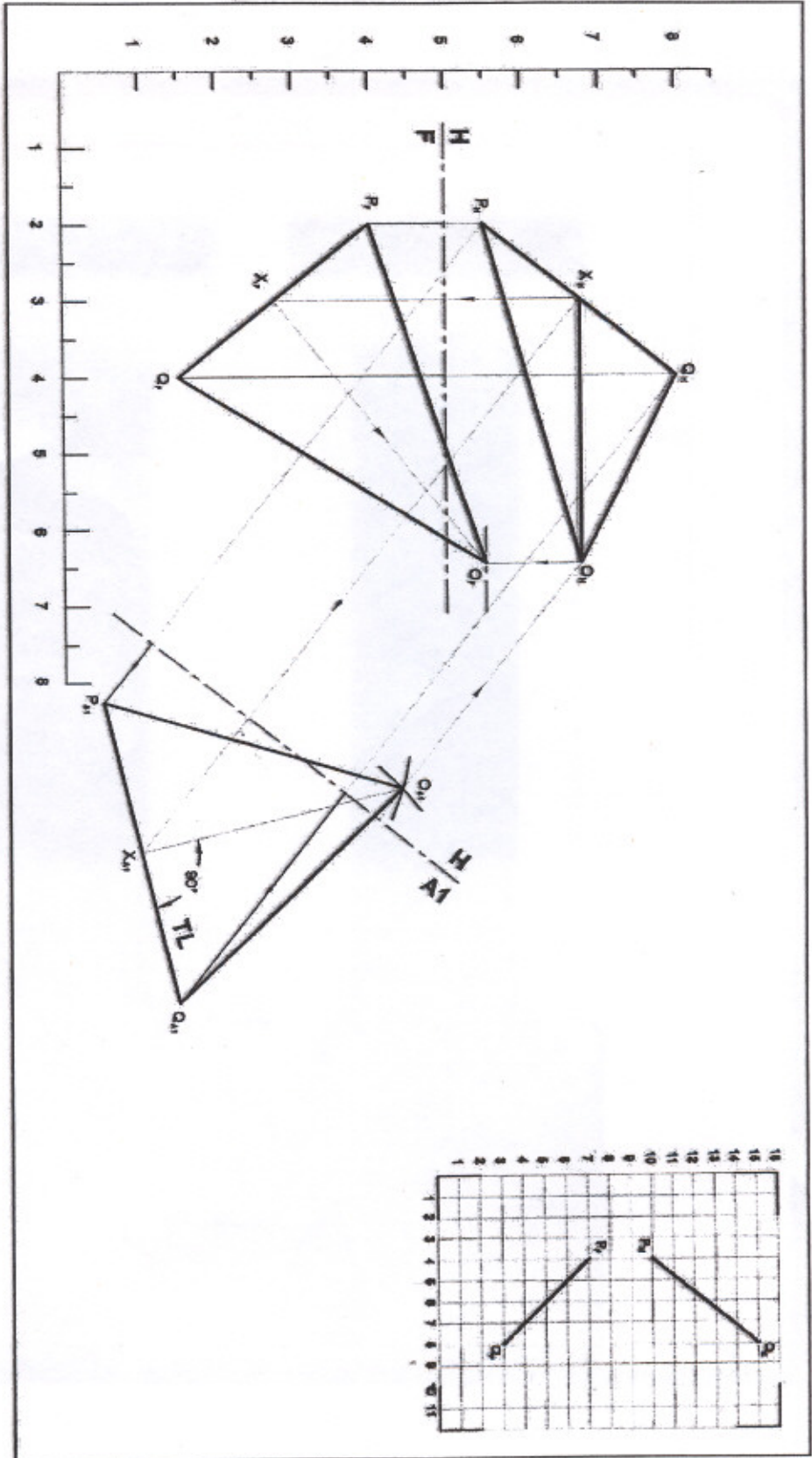
Solution to HA 10.2



Solution to HA 9.1

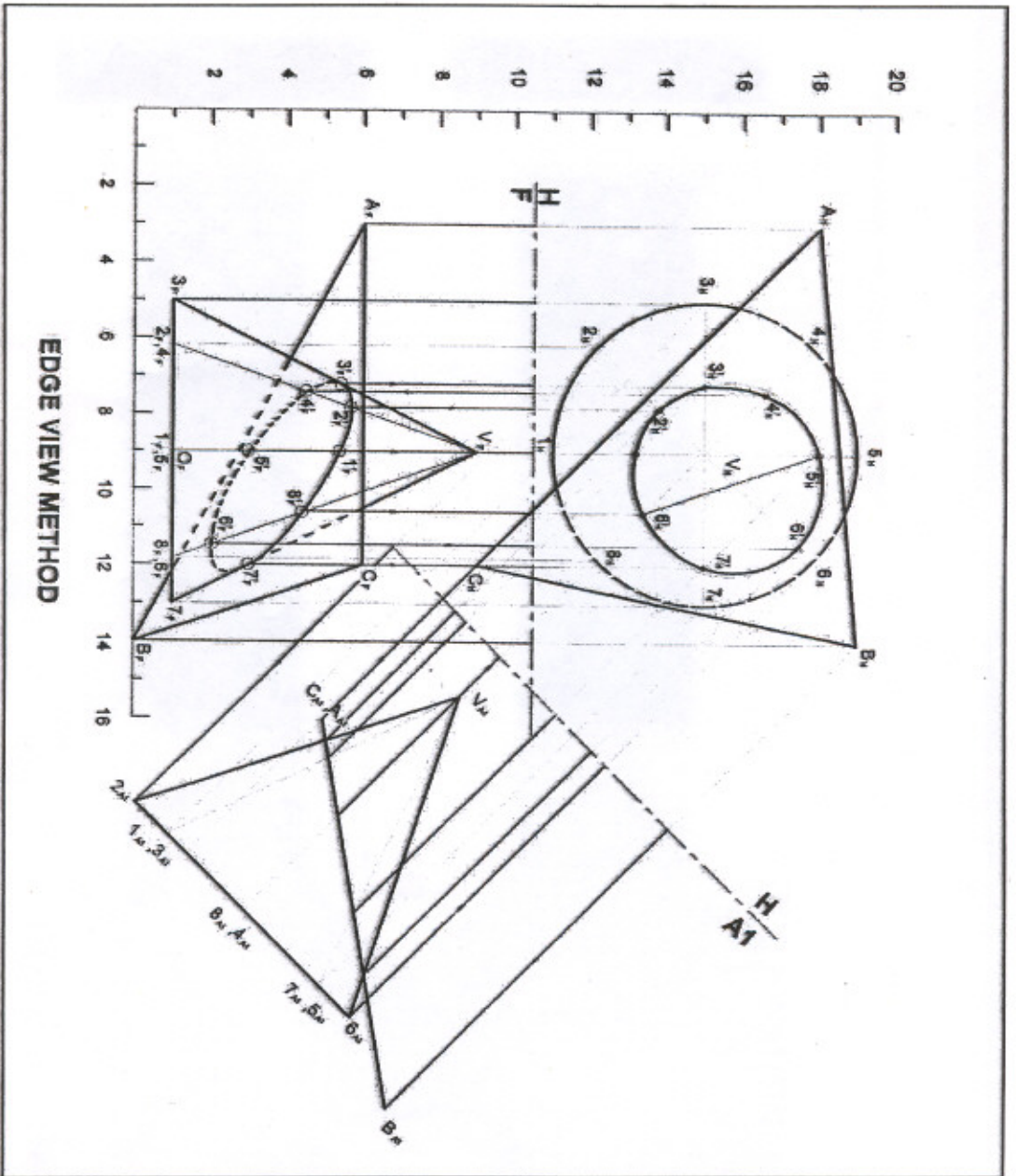


Solution to HA 9.2

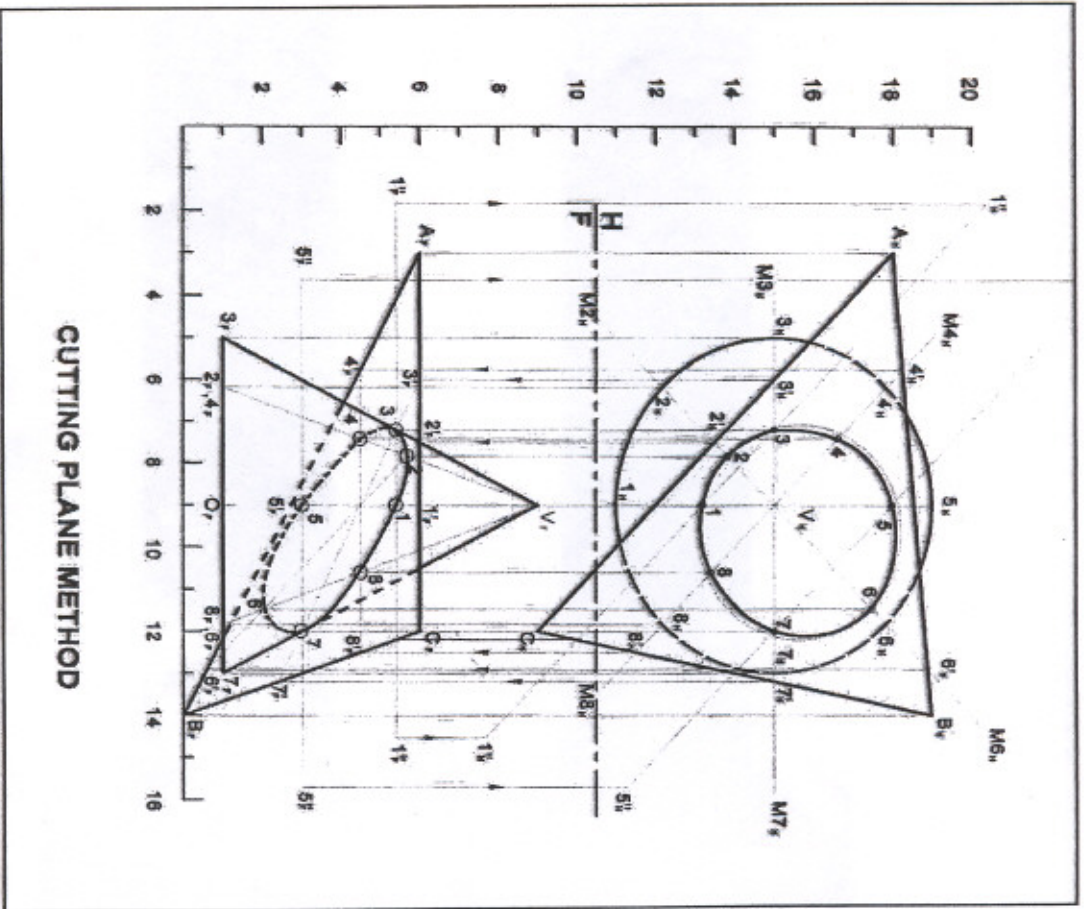


Solution to HA 9.4





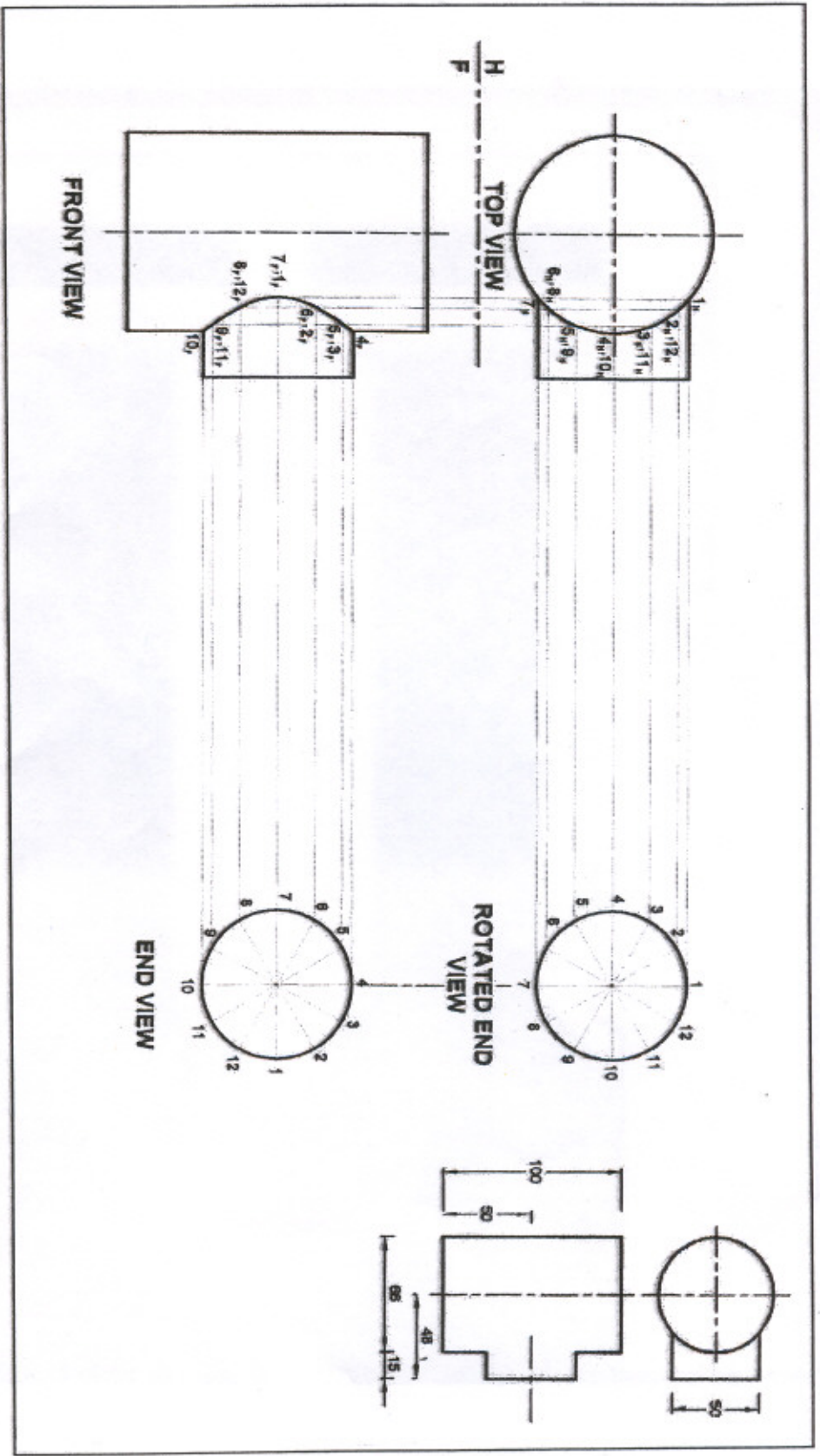
Solution to HA 11.1(a)



CUTTING PLANE METHOD

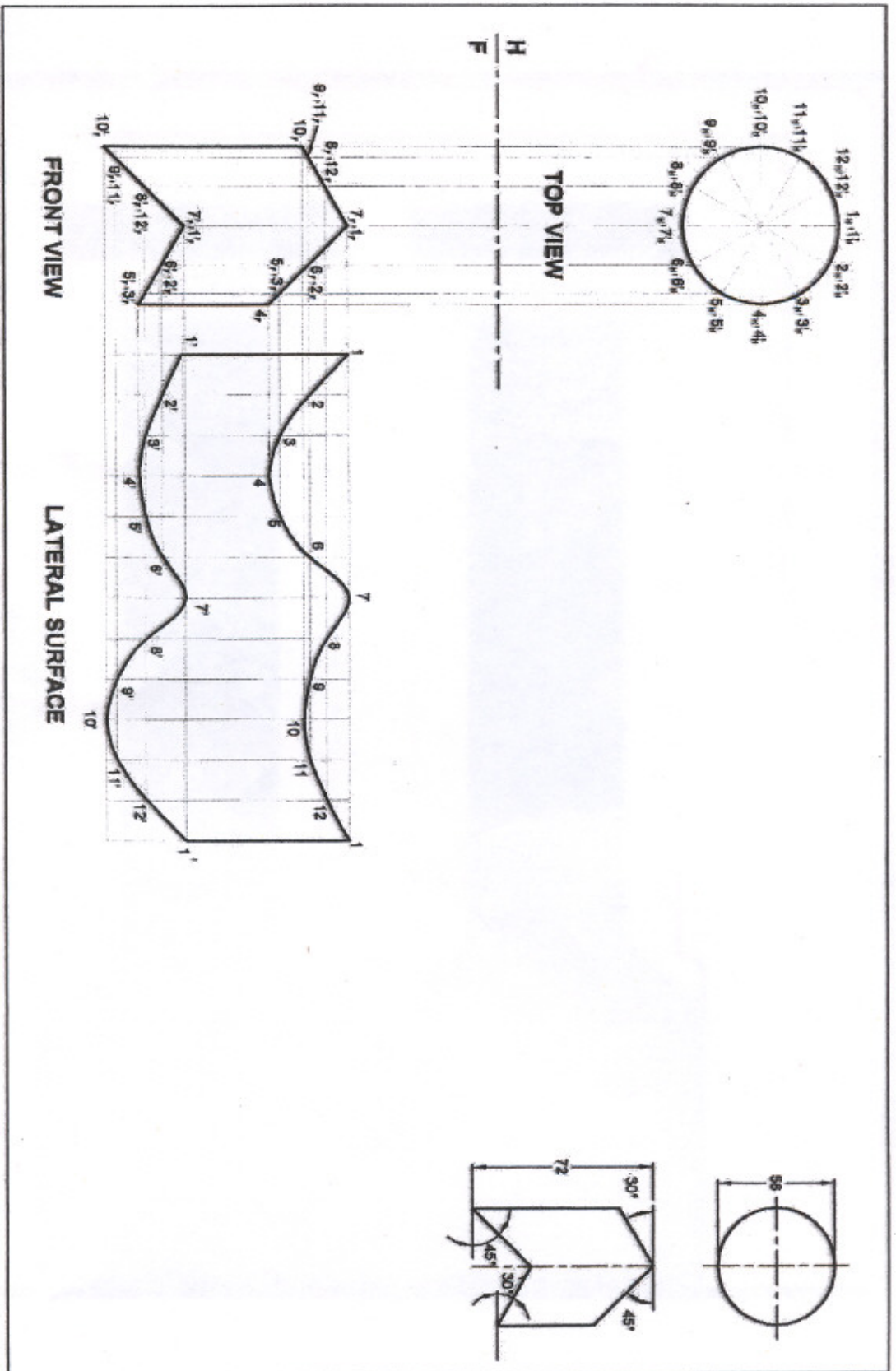
Solution to HA 11.1(b)





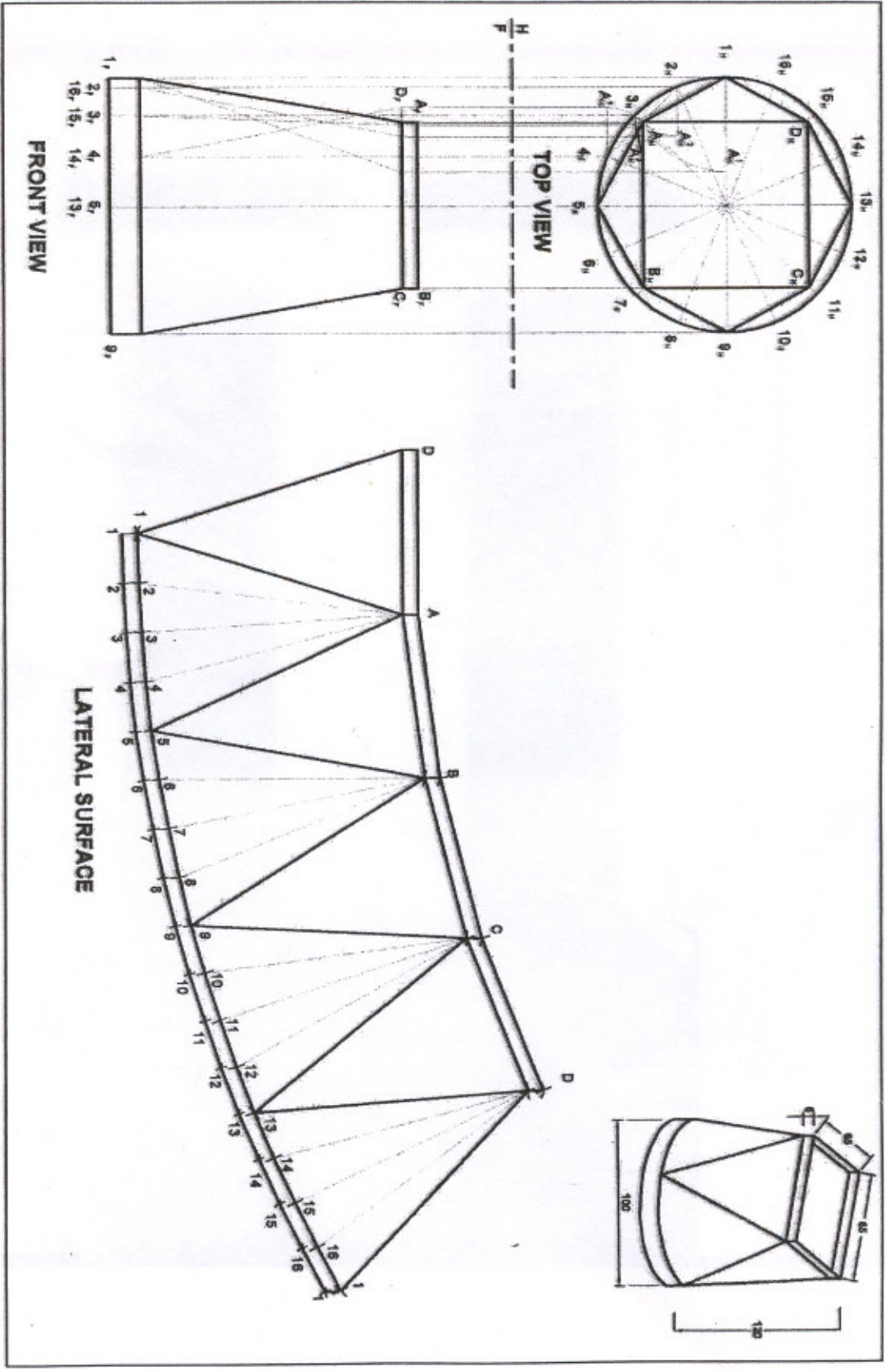
Solution to HA 11.2





Solution to HA 11.3





Solution to HA 11.4

