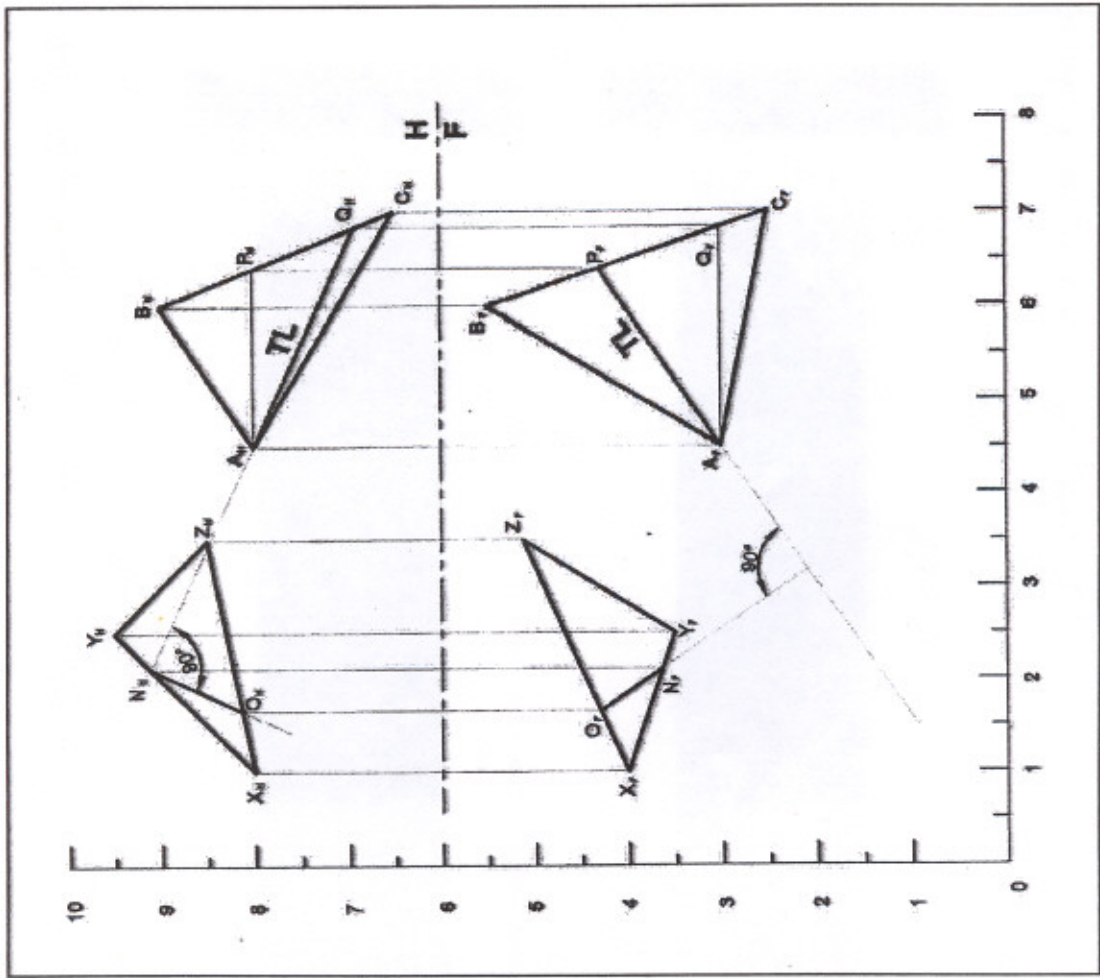
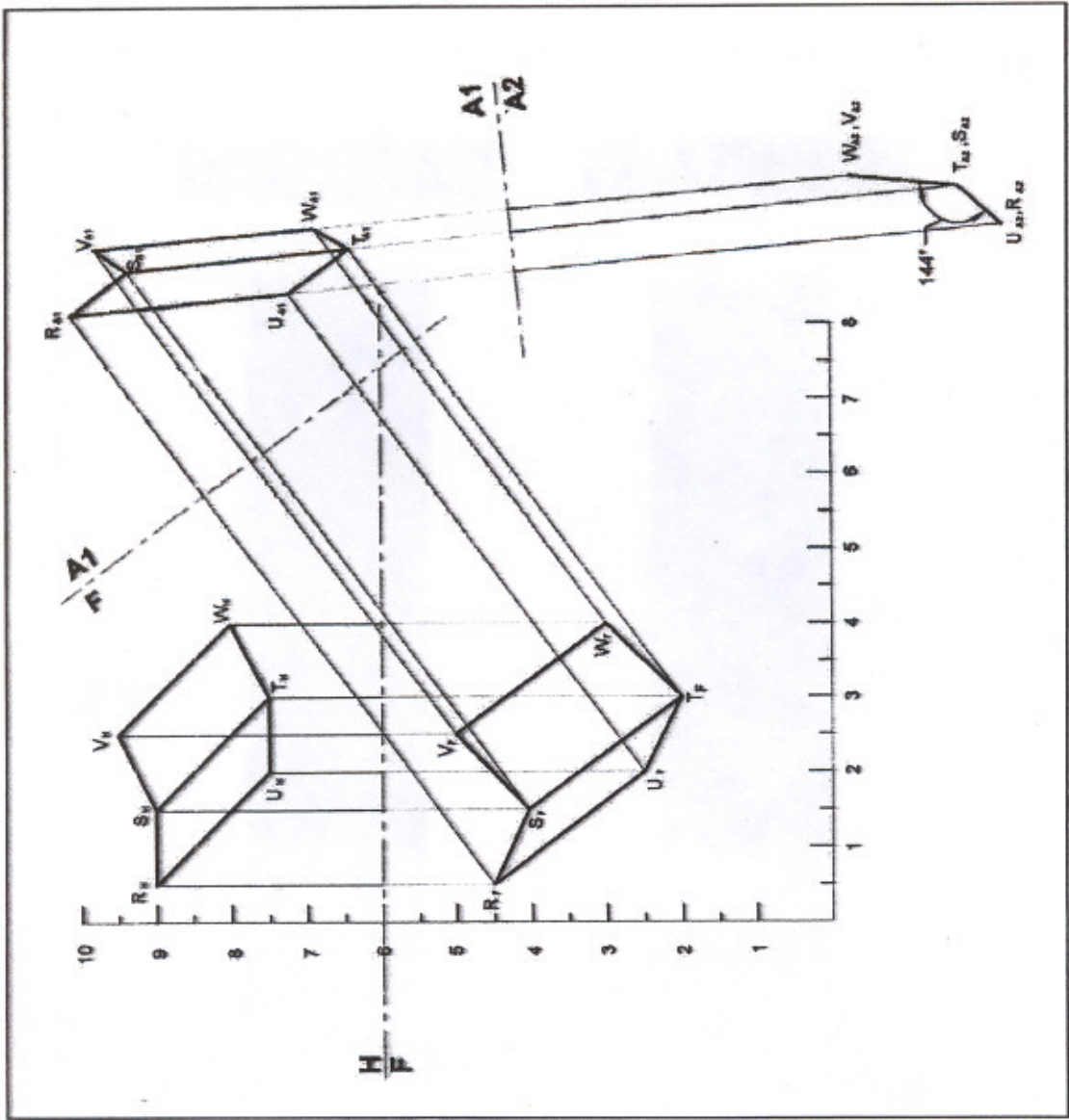


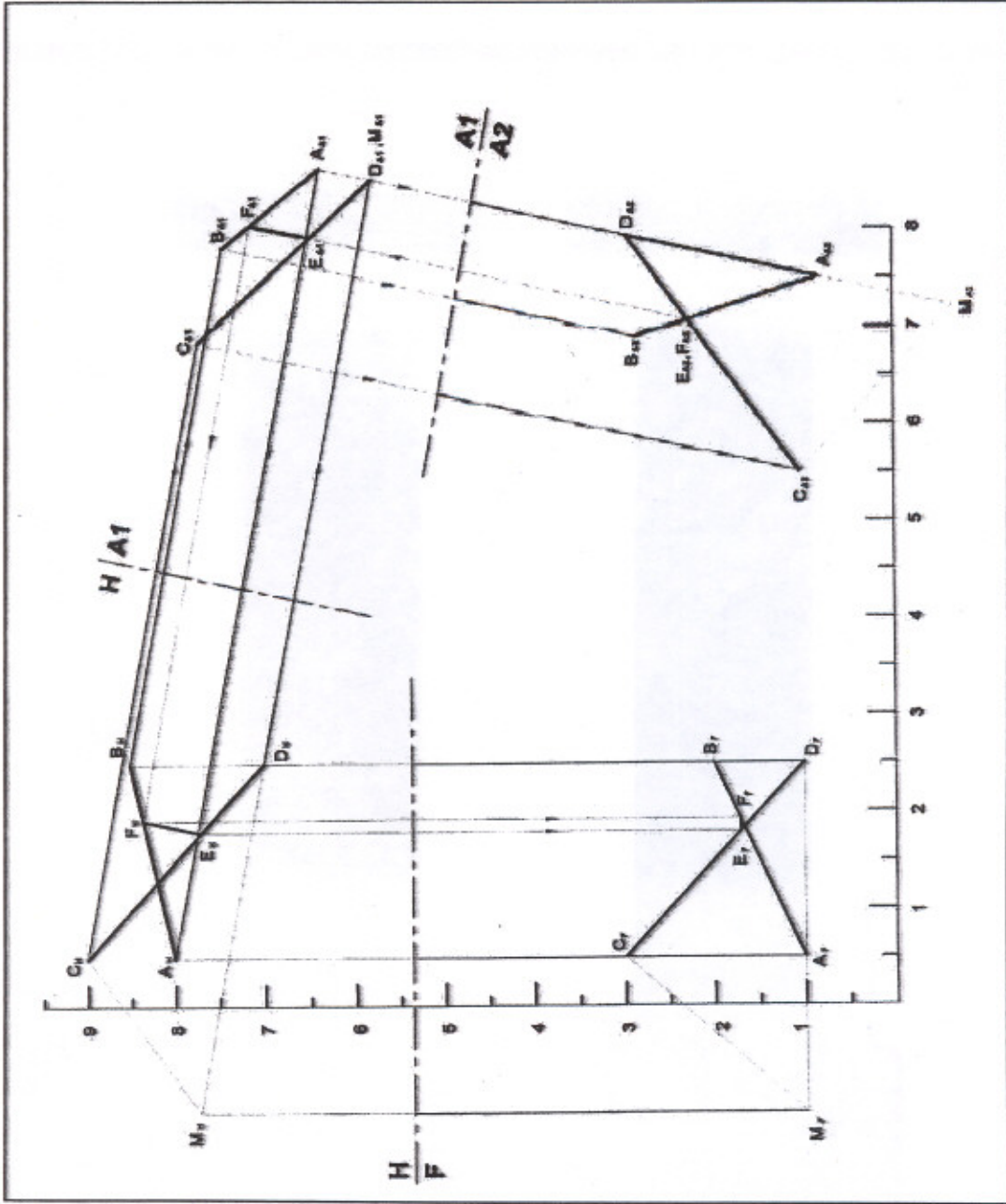
Solution to LE 9.1



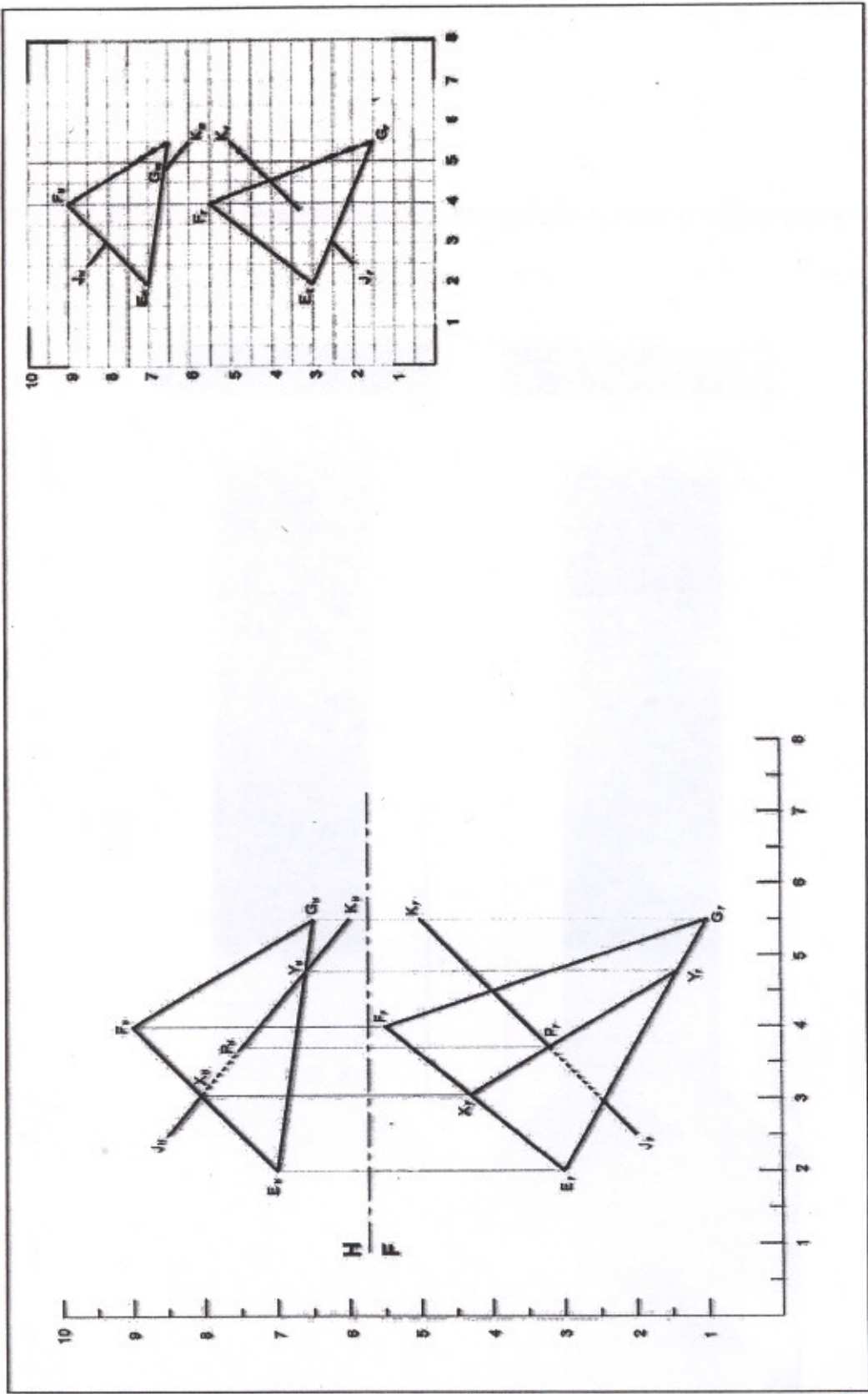
Solution to LE 9.2



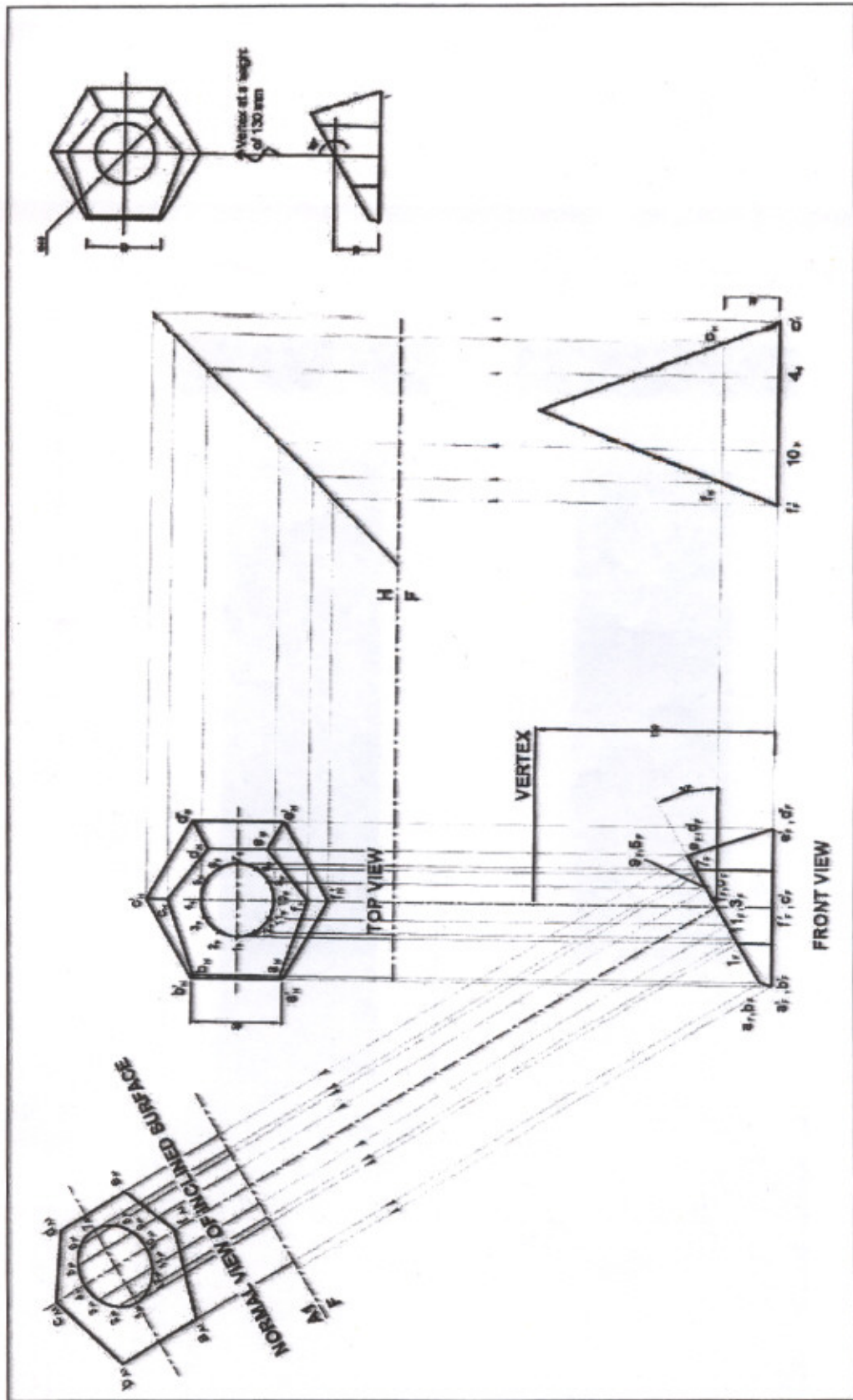
Solution to LE 9.3



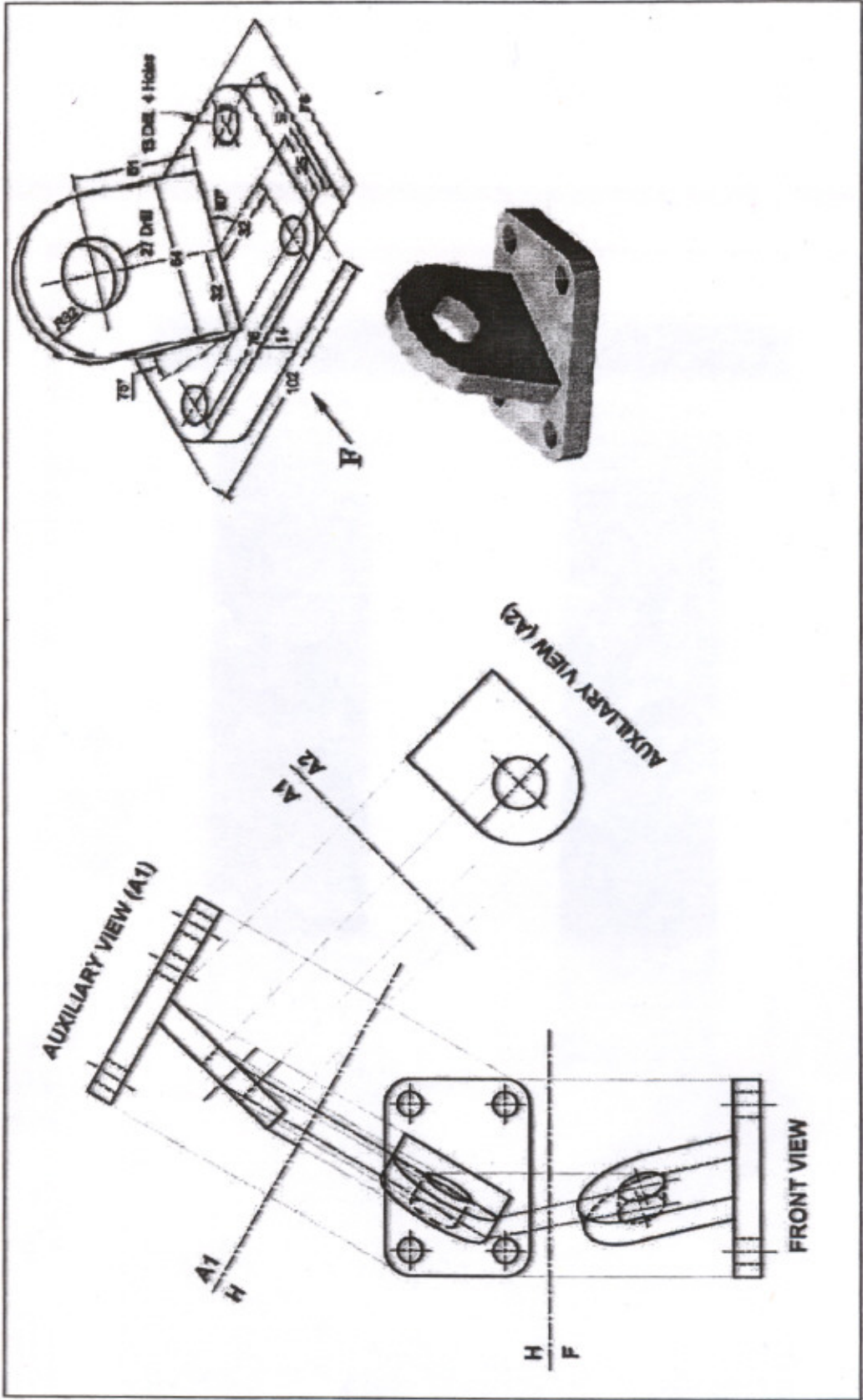
Solution to LE 9.4



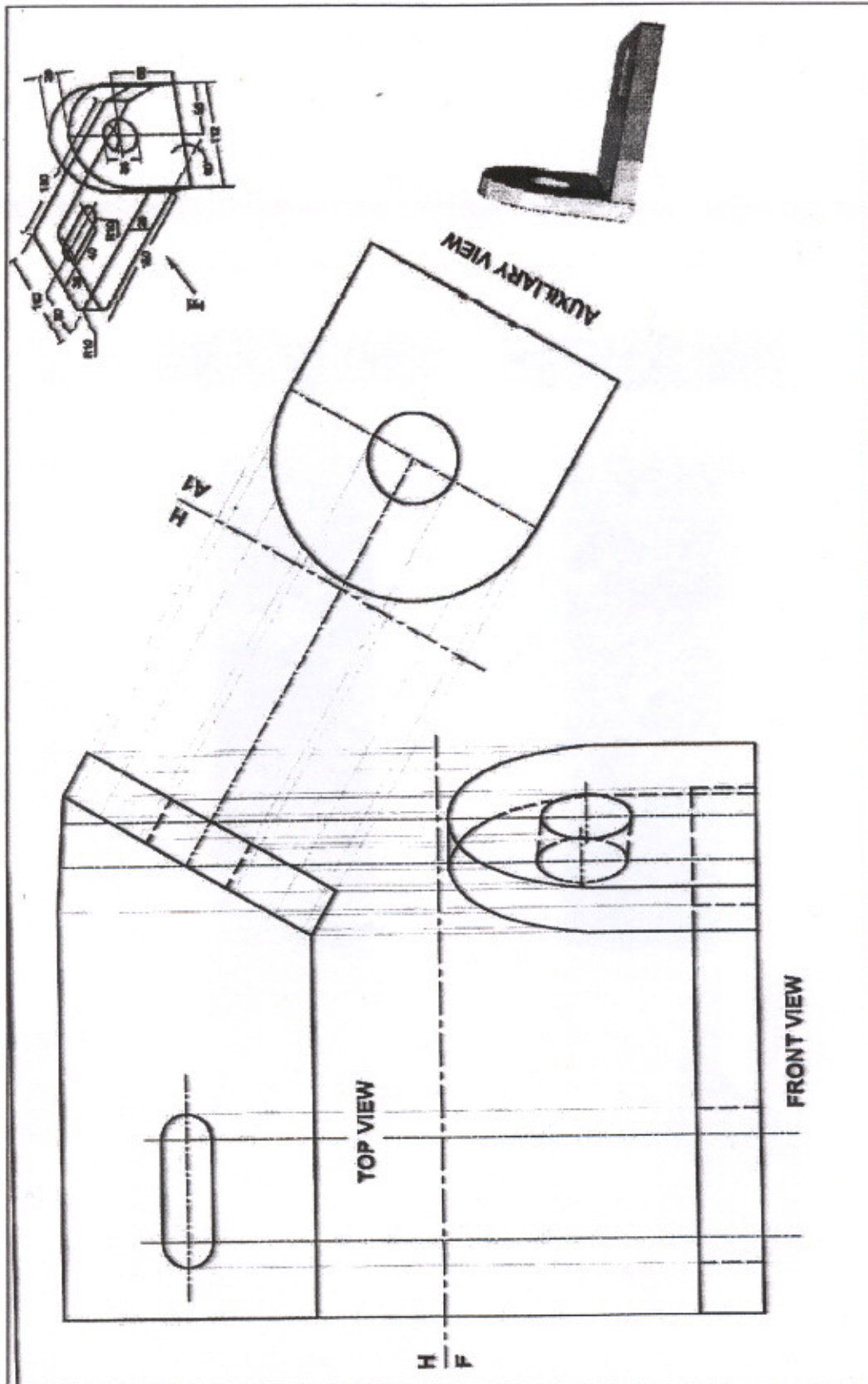
Solution to LE 9.5



Solution to LE 10.1

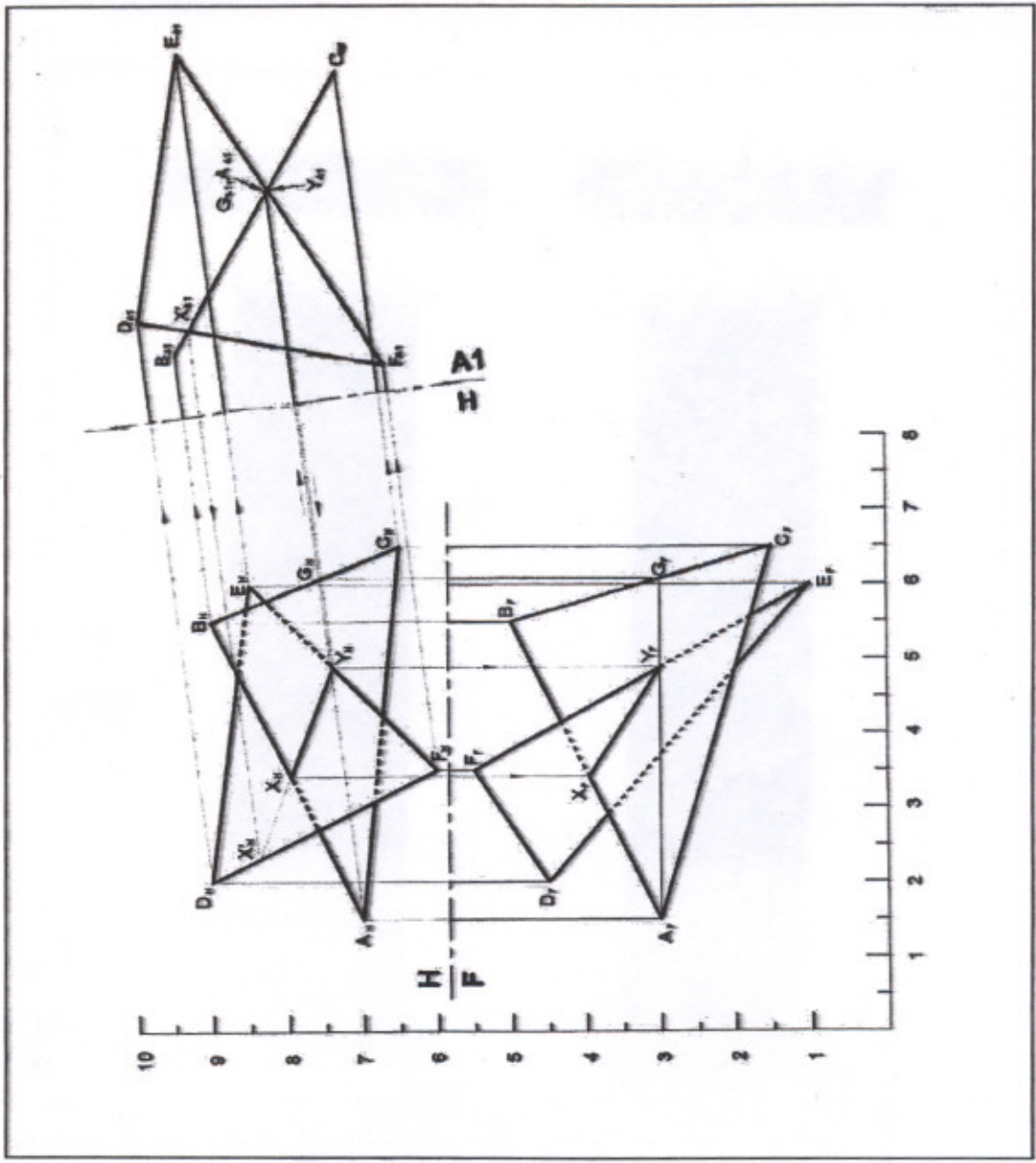


Solution to LE 10.3

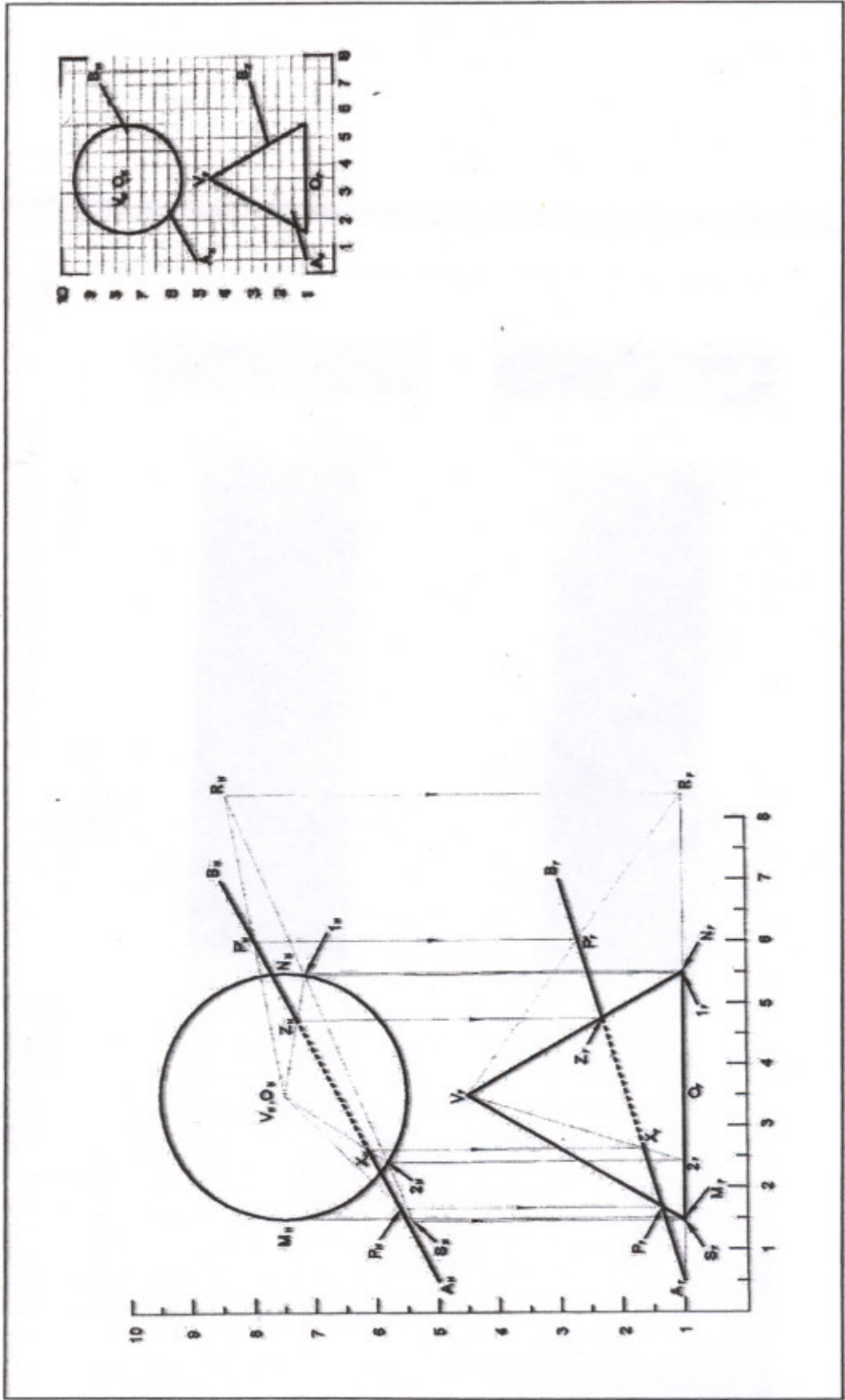


Solution to LE 10.2

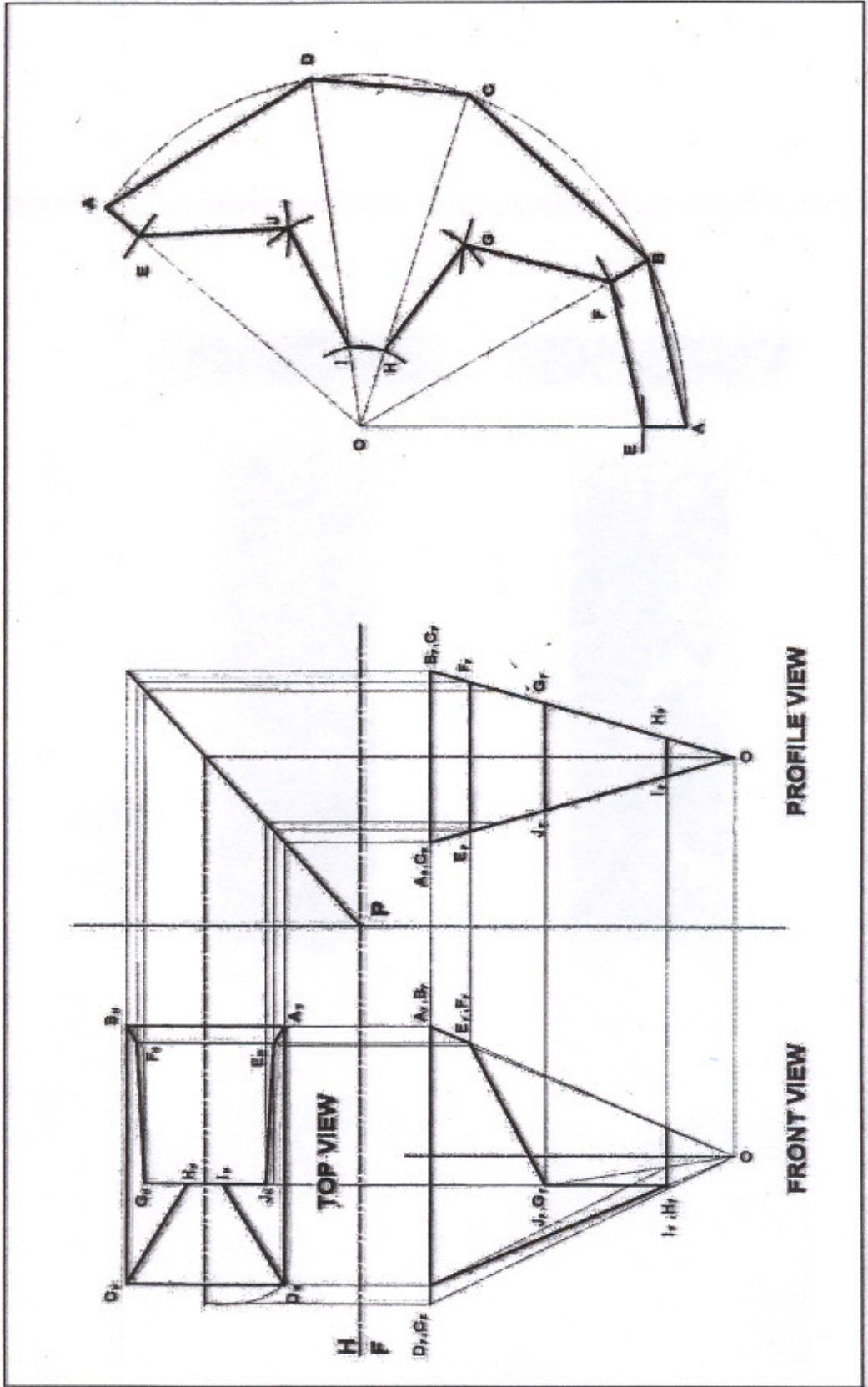




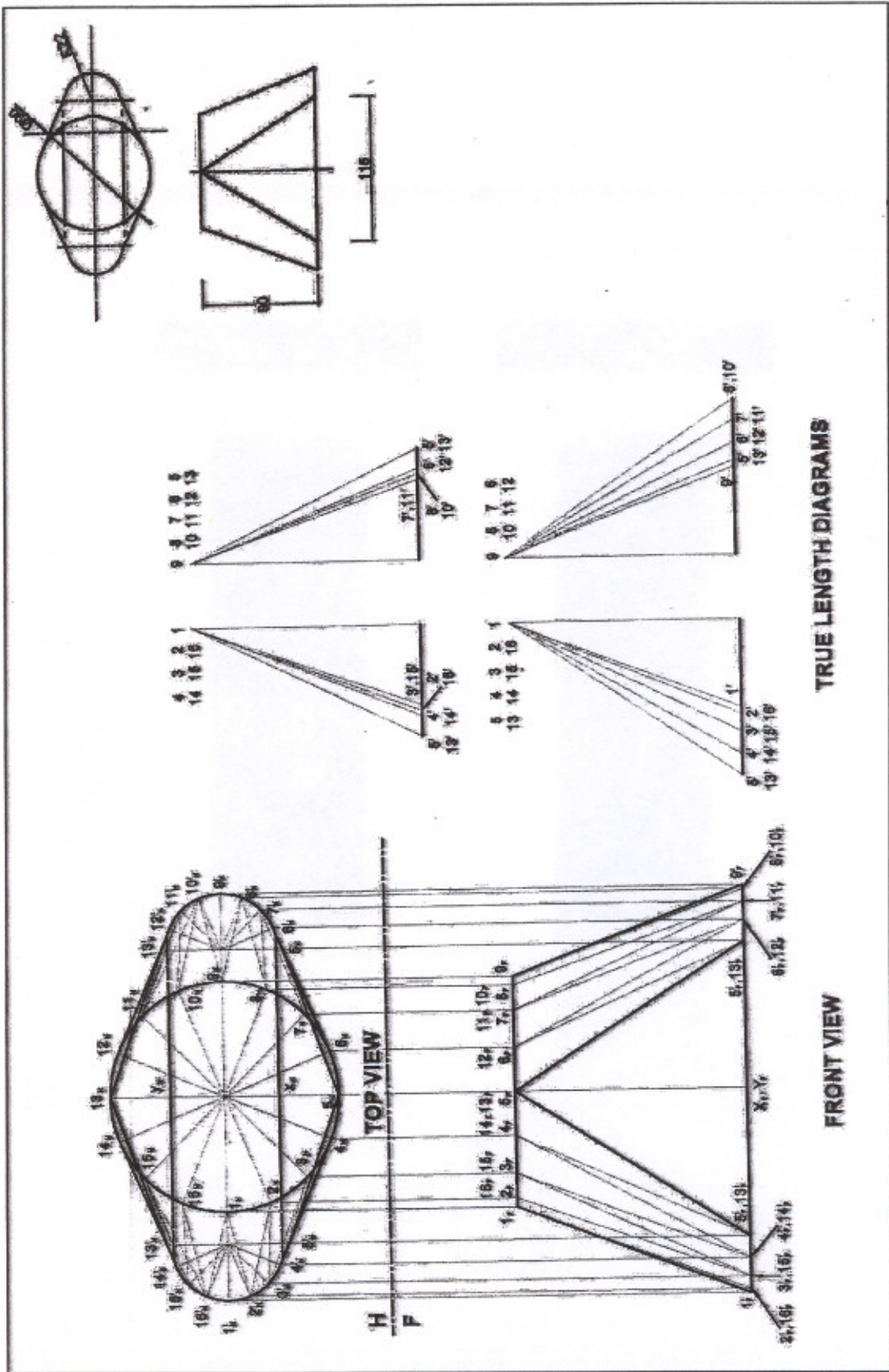
Solution to LE 11.1



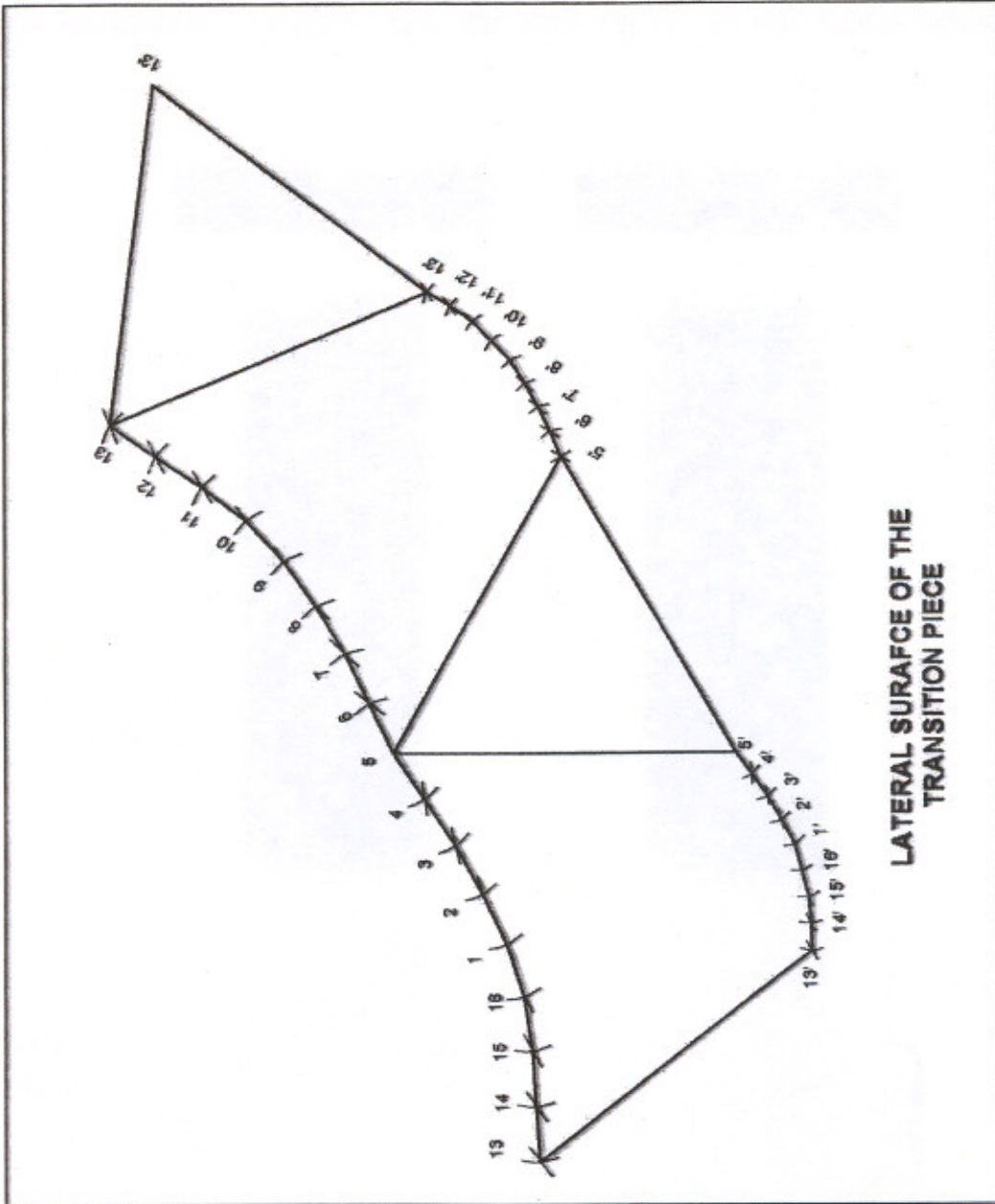
Solution to LE 11.2



Solution to LE 11.3



Solution to LE 11.4



**LATERAL SURFACE OF THE  
TRANSITION PIECE**

Solution to LE 11.4