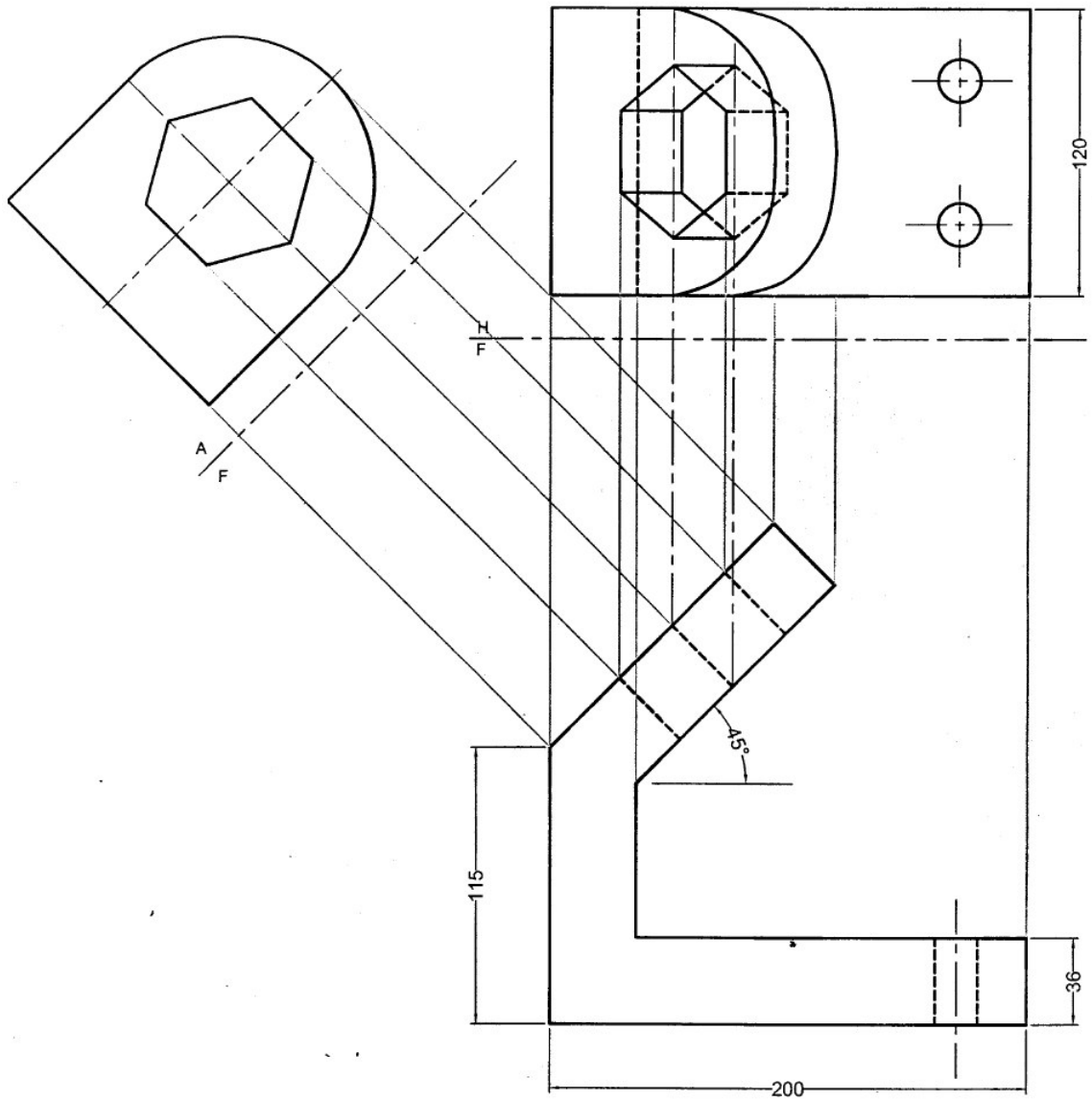


Home Assignment Solution - 10.1



Home Assignment Solution - 10.2

(Not to scale - autofit)