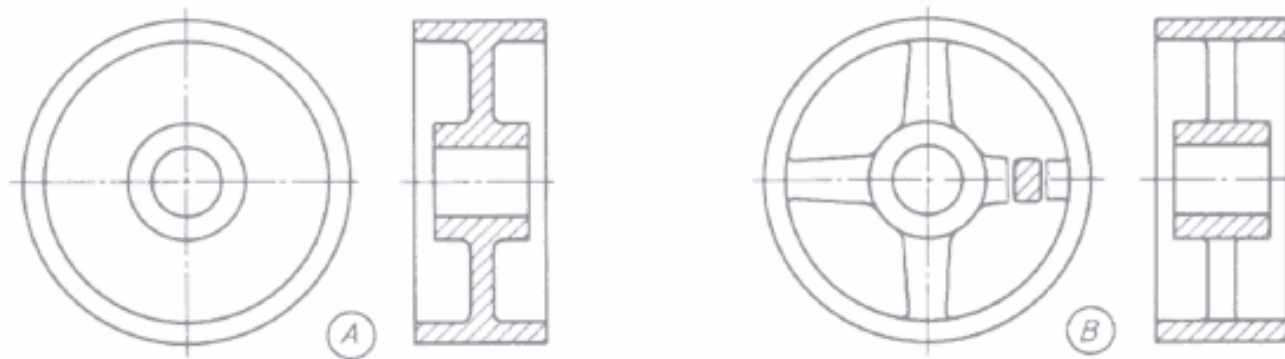


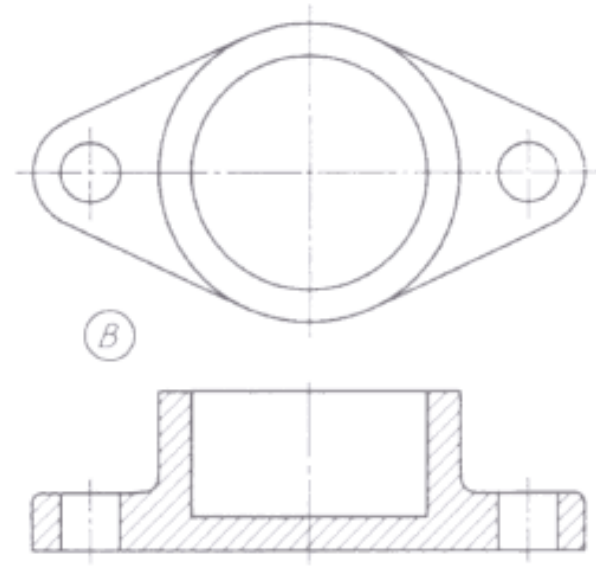
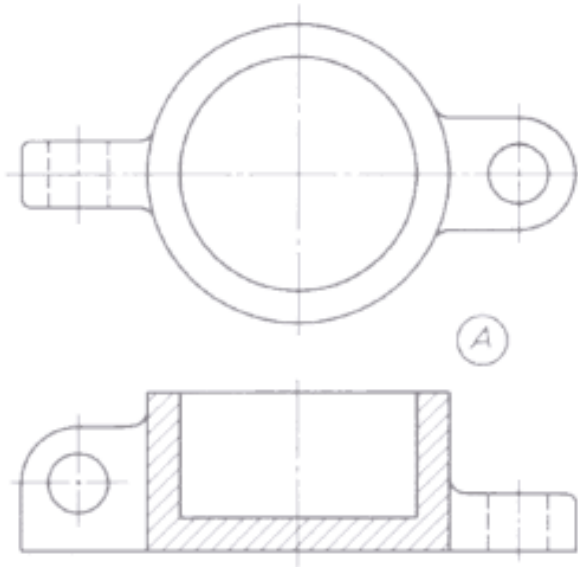
TA 101

Lecture - 14



Spokes in section – See B spoke is though cut but not shown

Why - how do you differentiate in A and B?

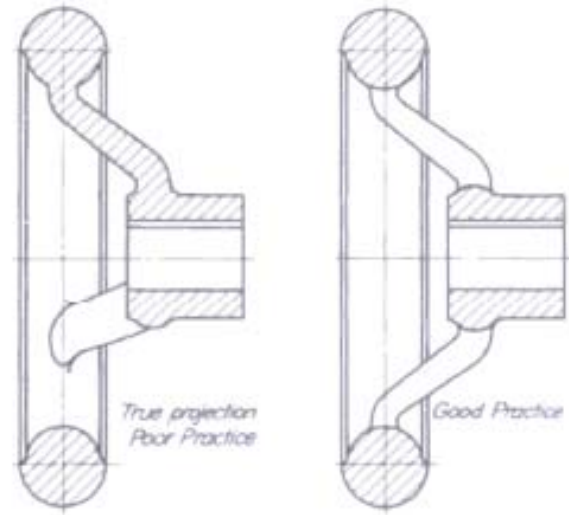


Lugs in Section – Small lugs A Large Lug B

Treated differently...

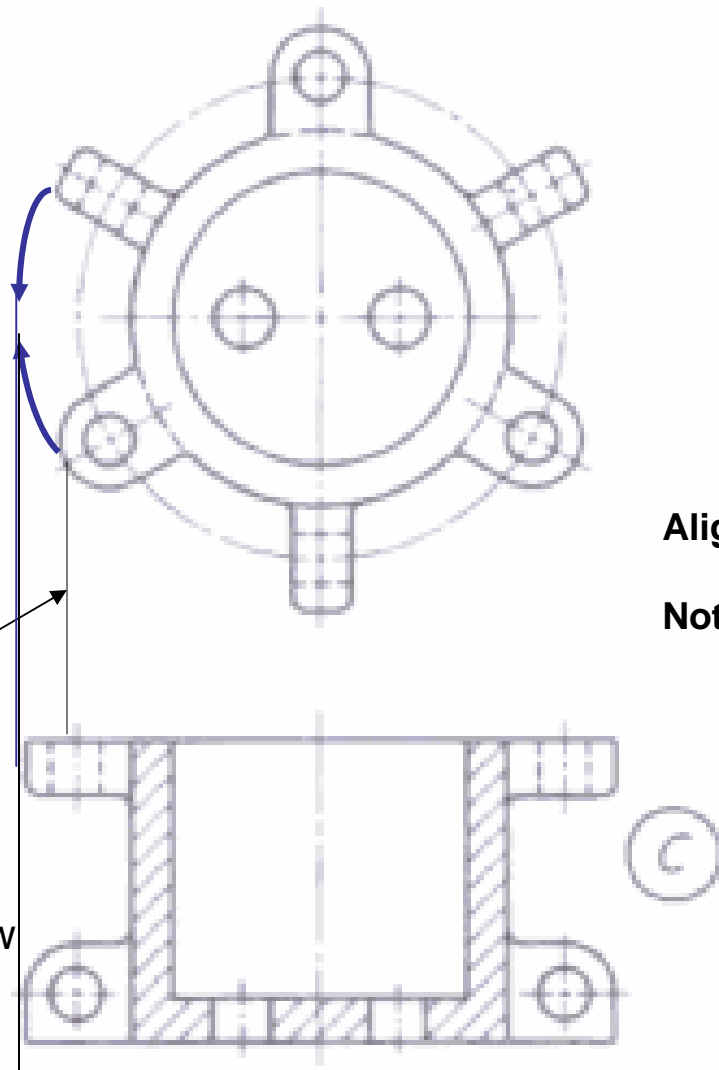


Aligned views;



Good practice

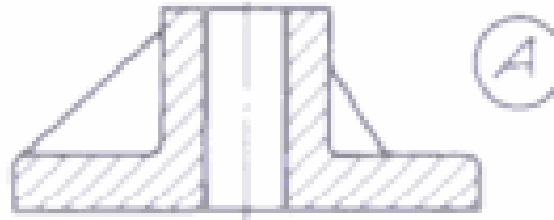
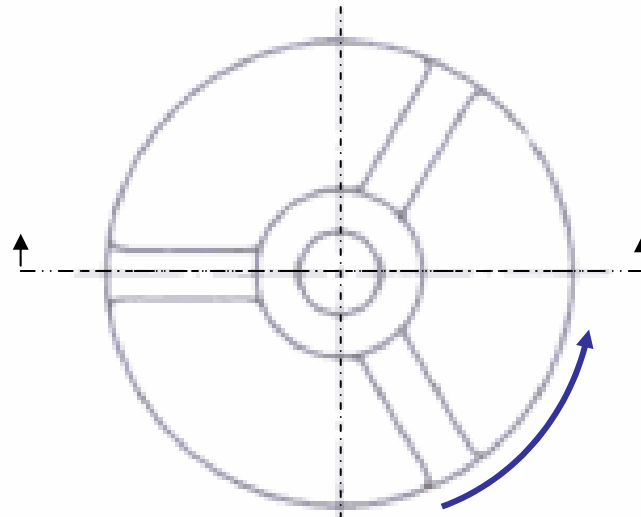




Align the lugs

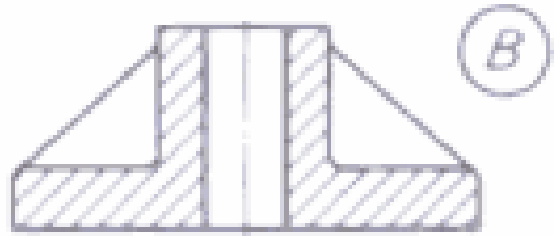
Note small lugs not shown in section

Appear right projector
but it is not so in sectional view



A

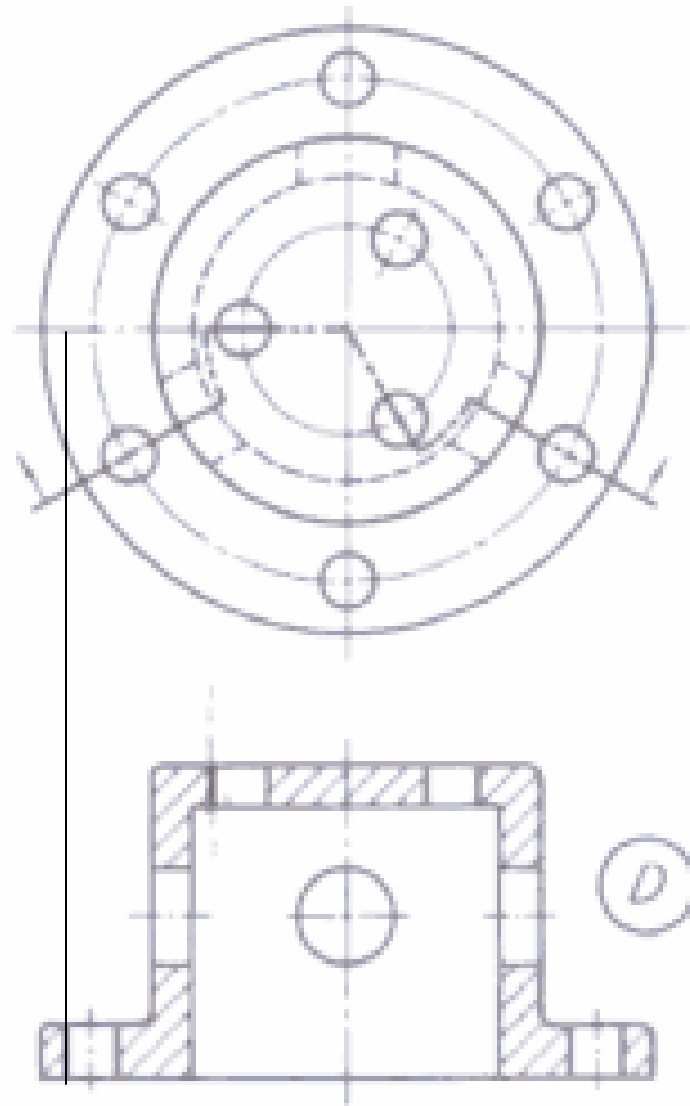
Appears correct but it is not



B

Correct – align the rib

Aligned Section View



Again align the whole

