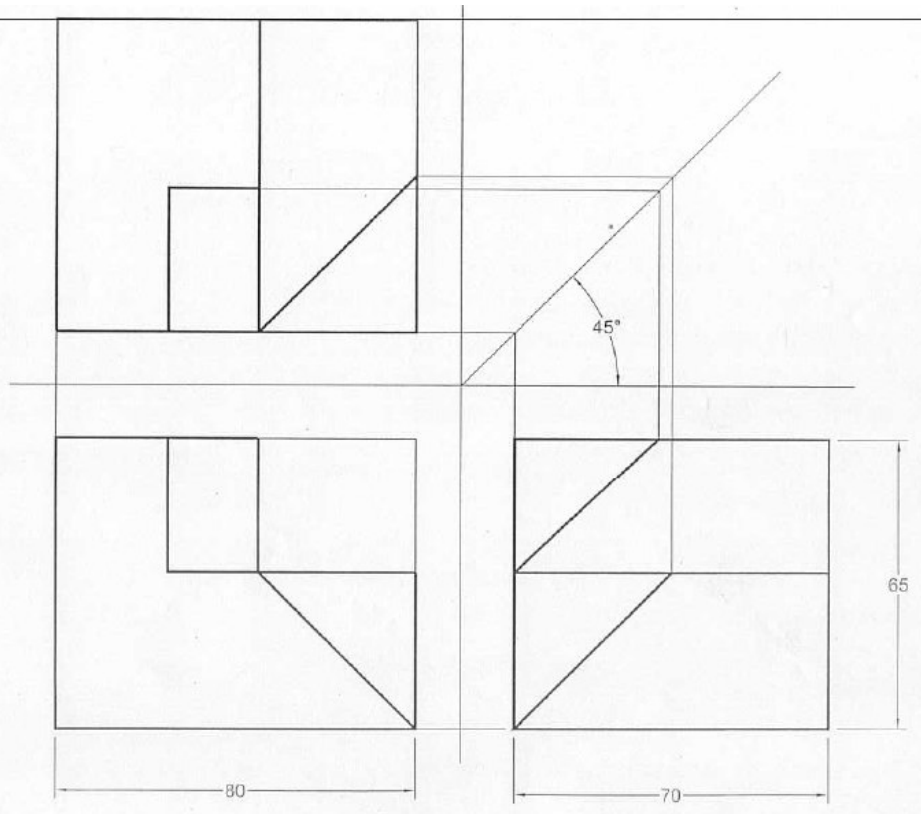
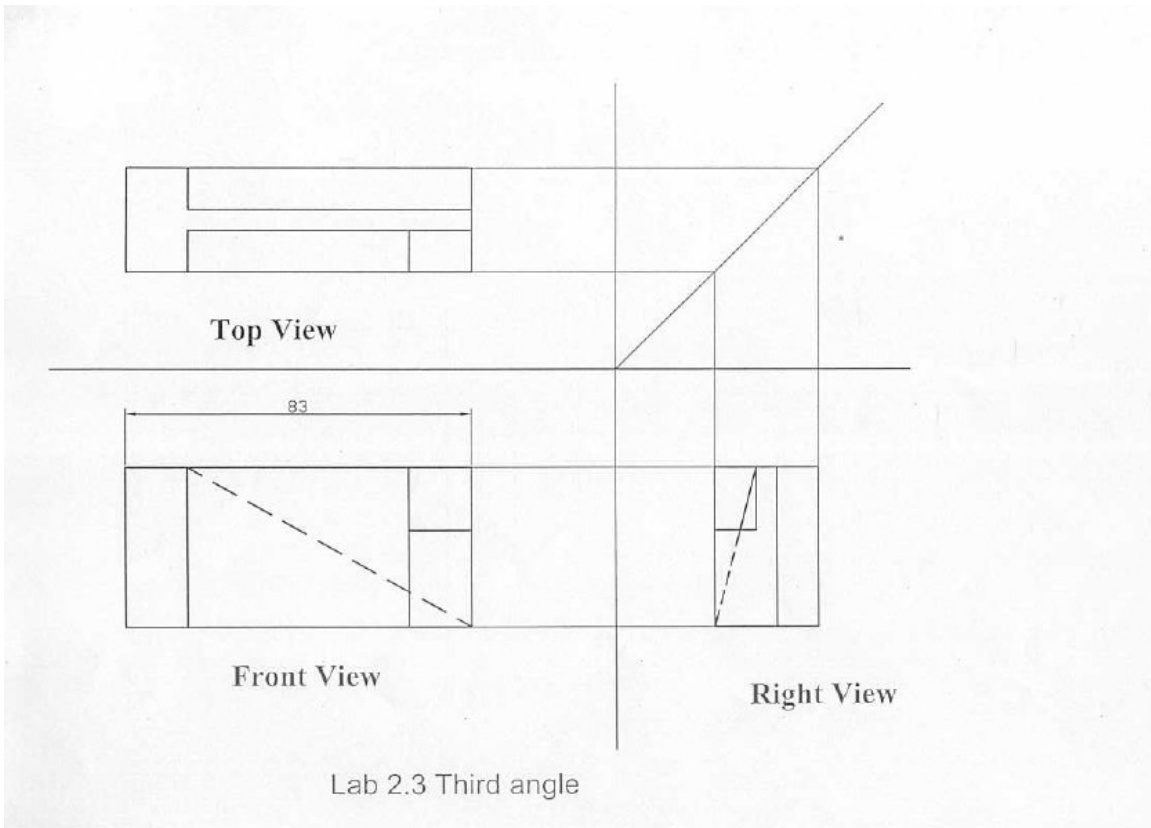


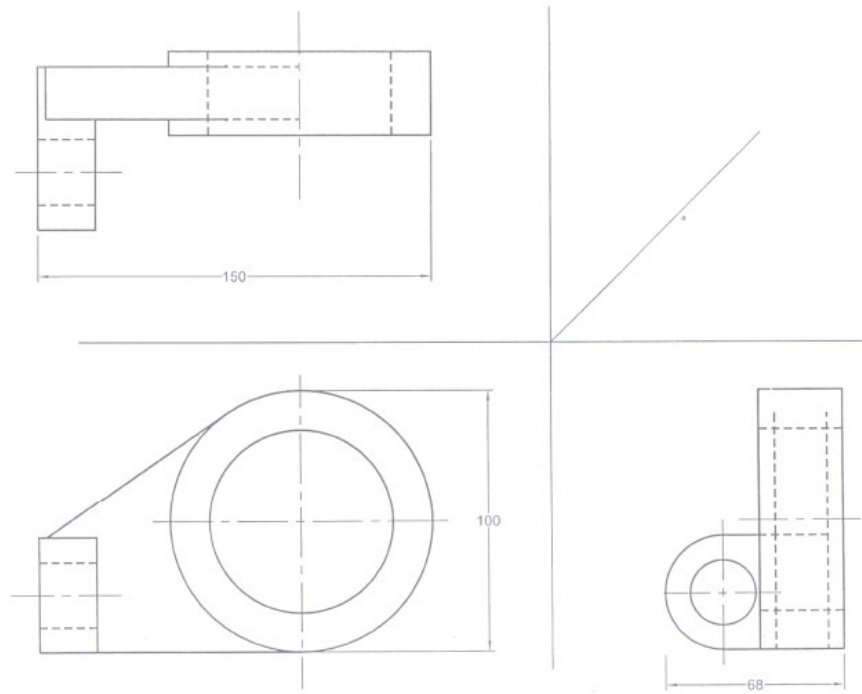
SCALE: 1:1

SOLUTION Lab2 Fig 2.2

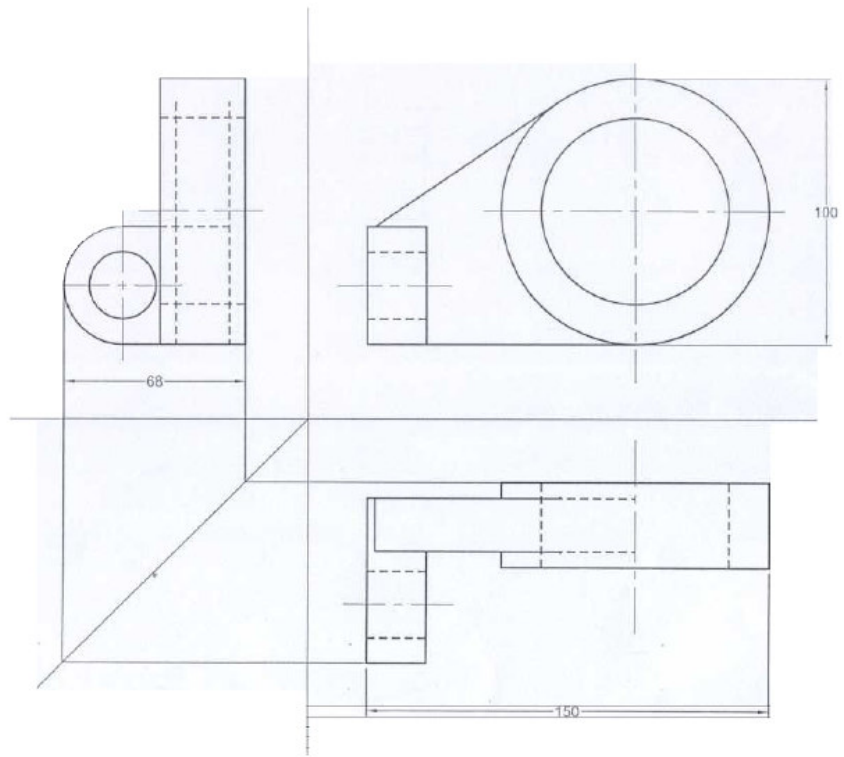
SCALE : 1:1
SOLUTION L 2.1



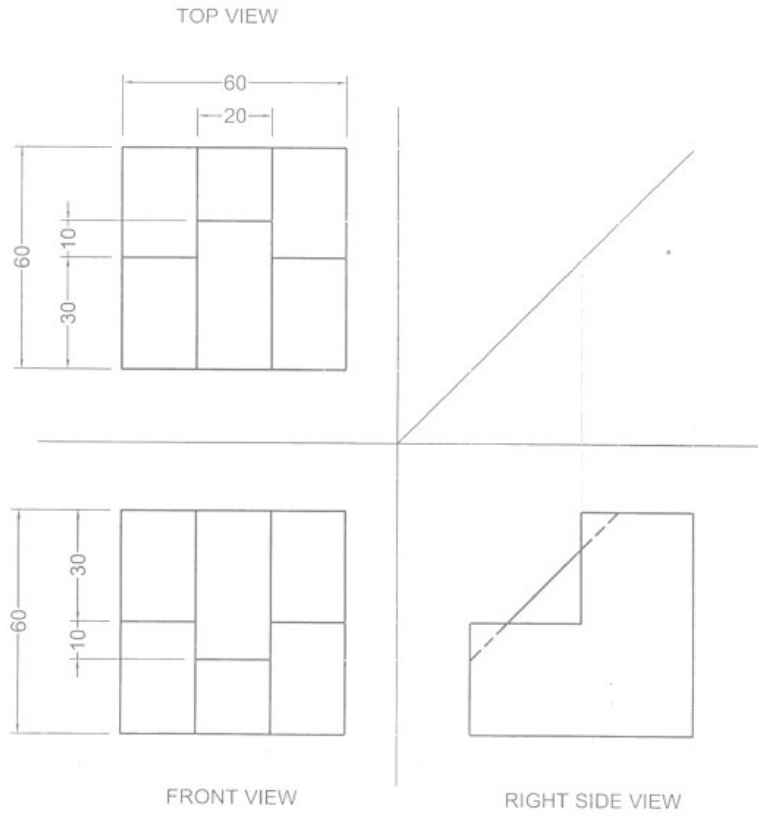




L 2 4 Third angle

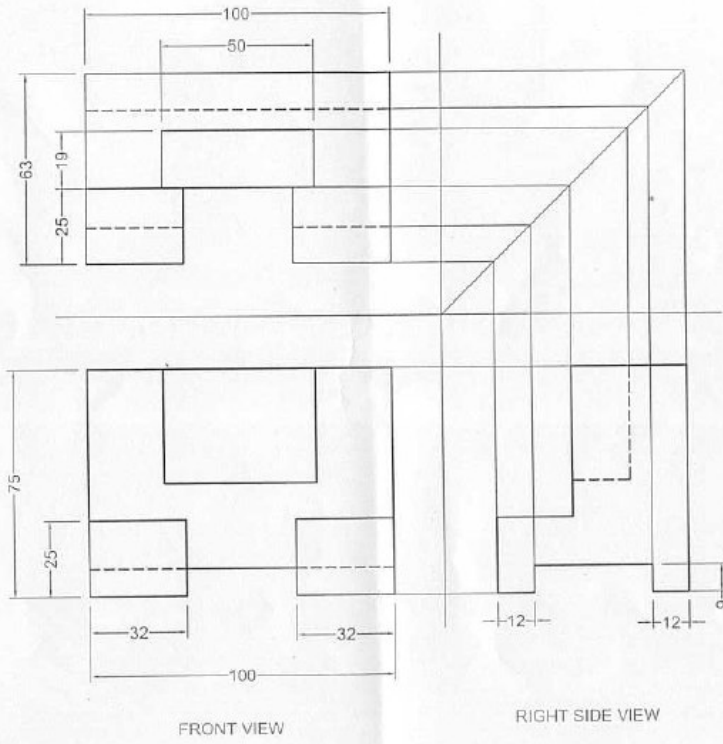


24 First angle

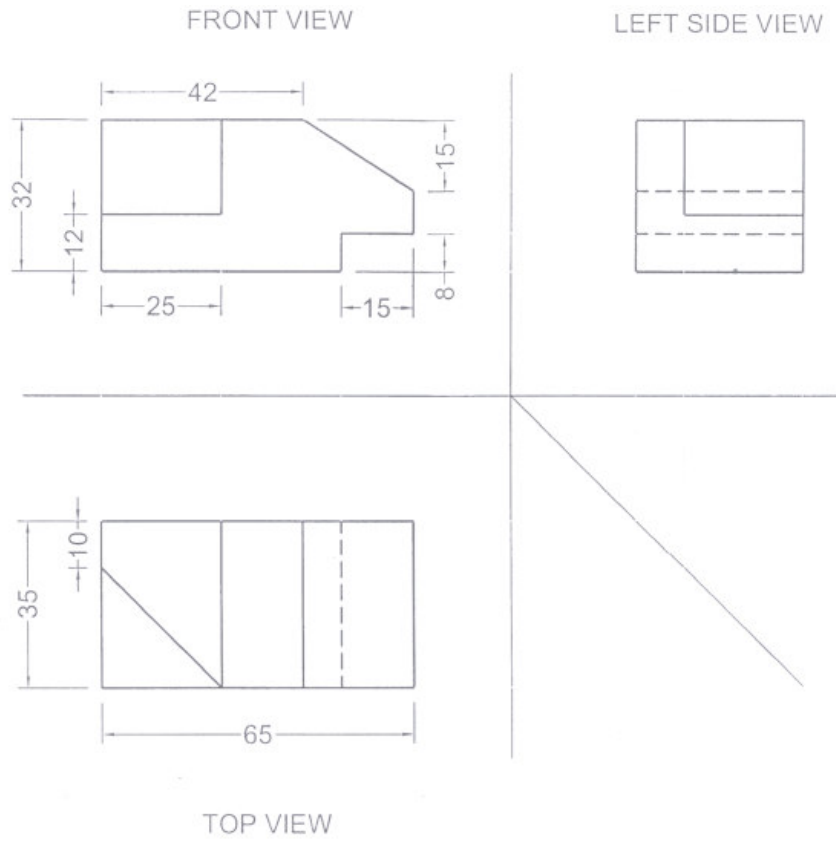


Home - 2.1

TOP VIEW



Home - 2.2



Home - 2.3

