

TA 101

Lecture – 19

<http://home.itk.ac.in/~mukesh/TA-101>

Announcements

- Second Mid-sem Examination: OCT 19 (Thu): 9:30 – 10:30 am; Drawing Hall

-Course Content

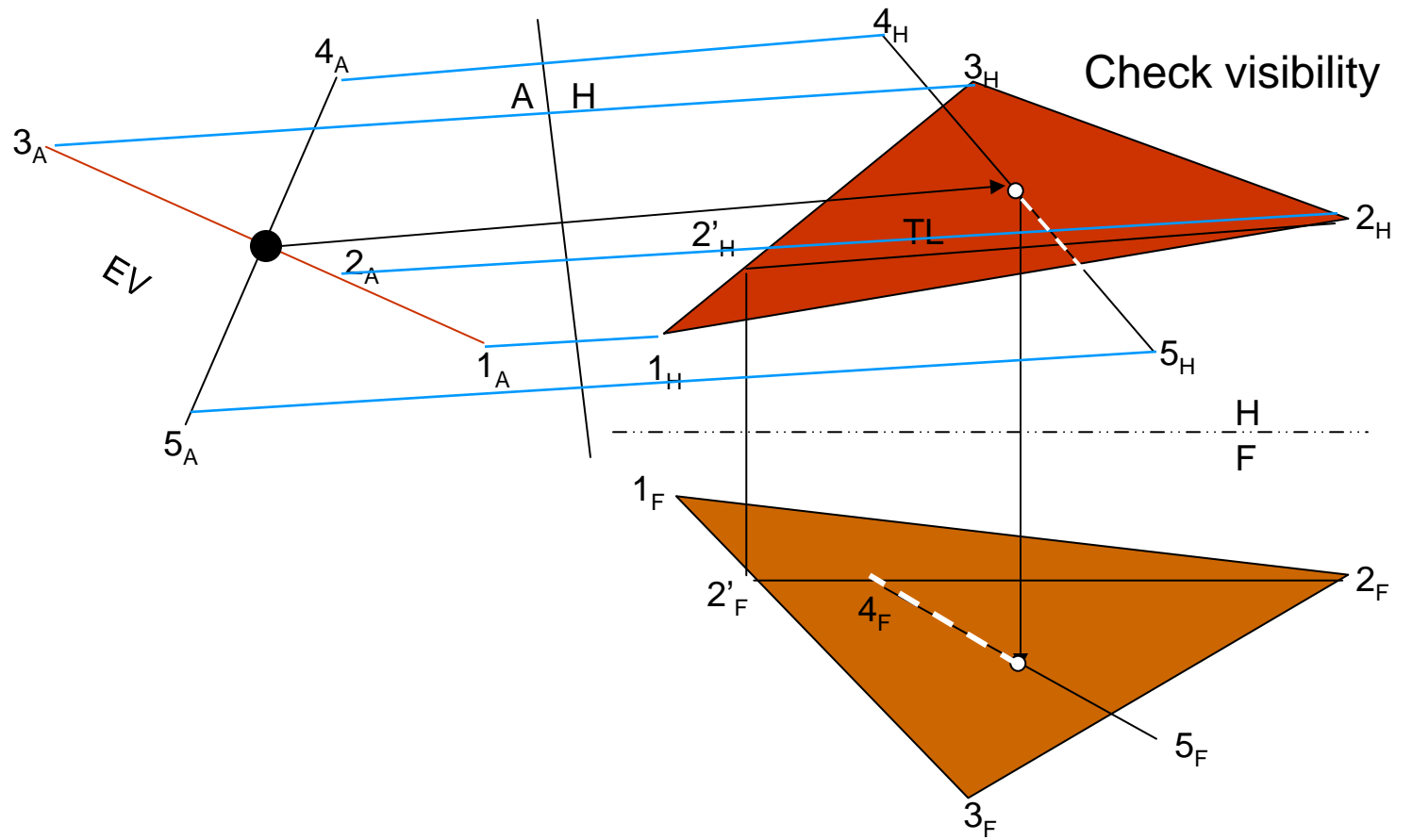
-Oblique projections

-Perspective projection

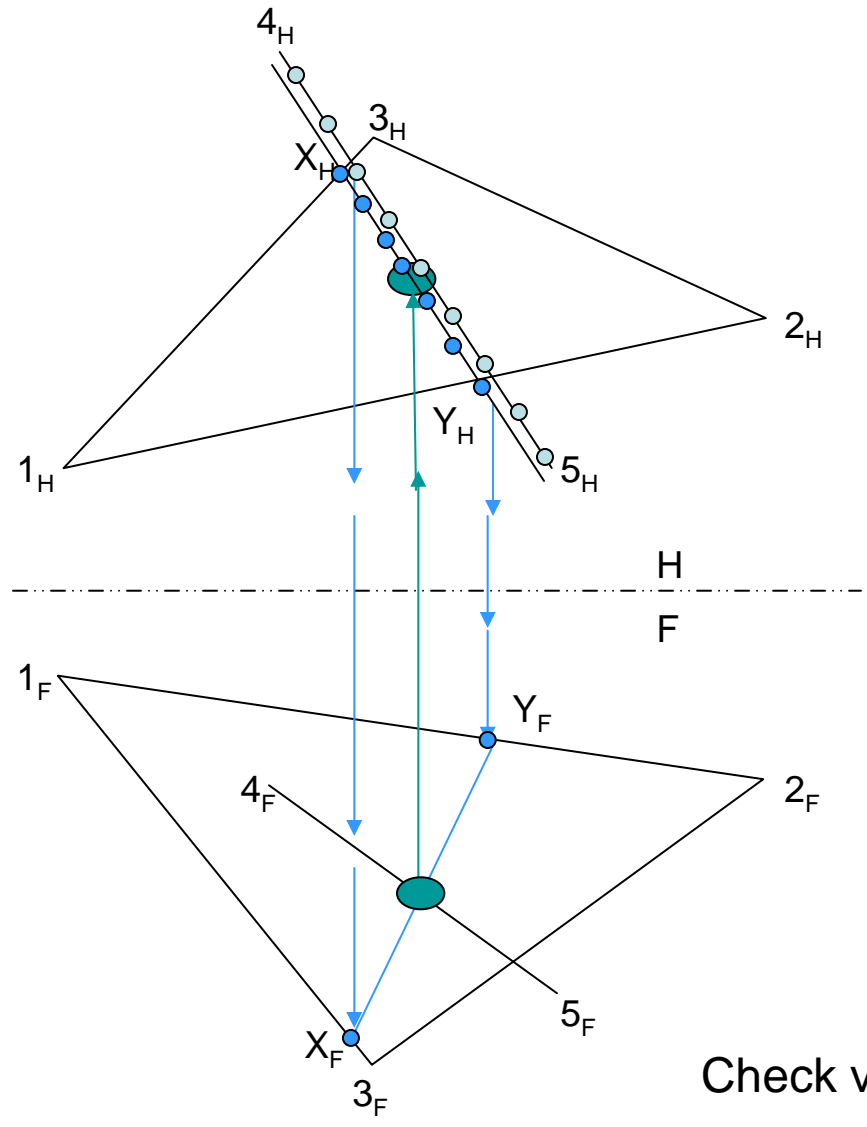
-Missing lines and Views

-Sectional views

-Assemblies

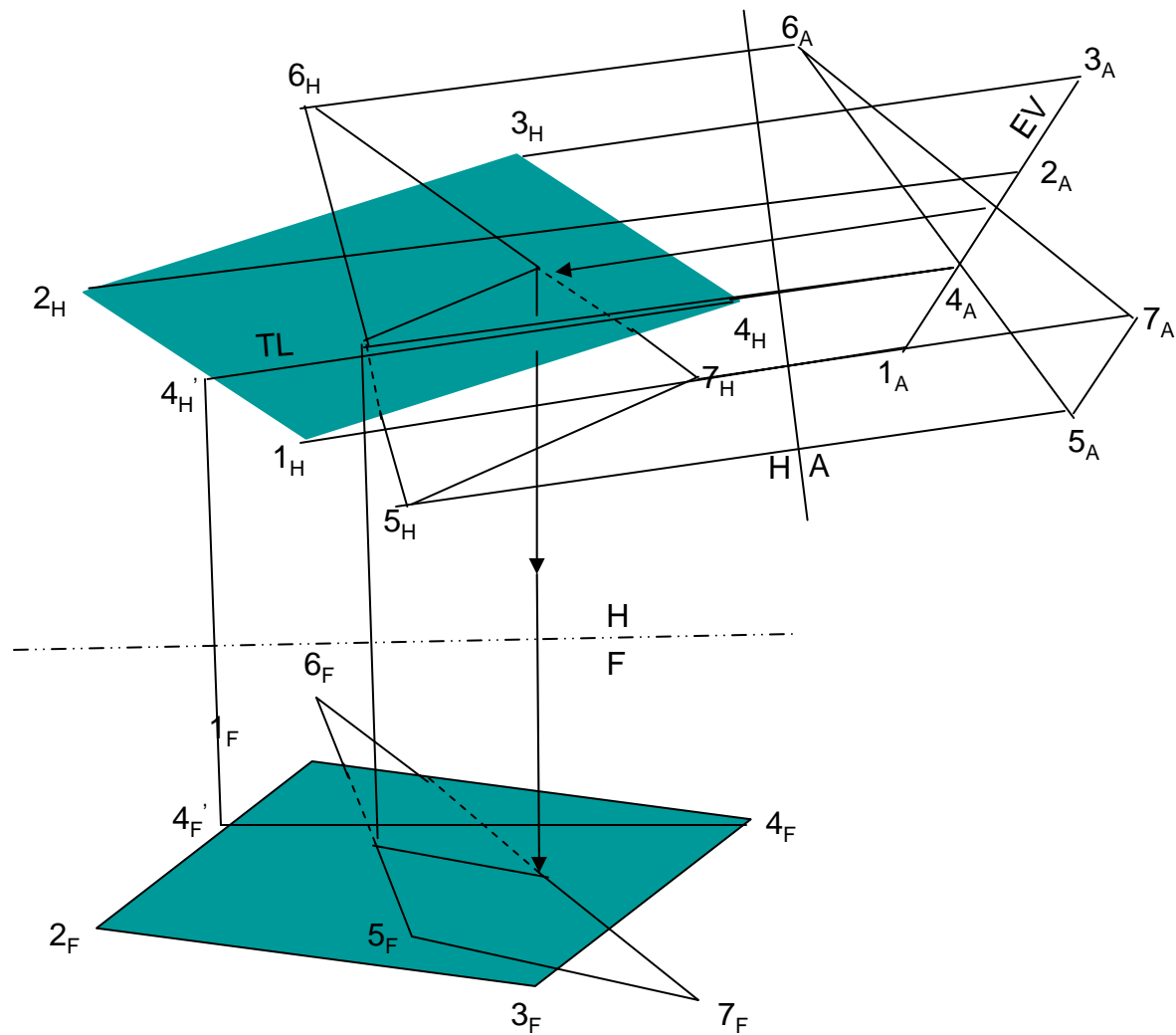


Intersection of Lines and planes – Edge View Method

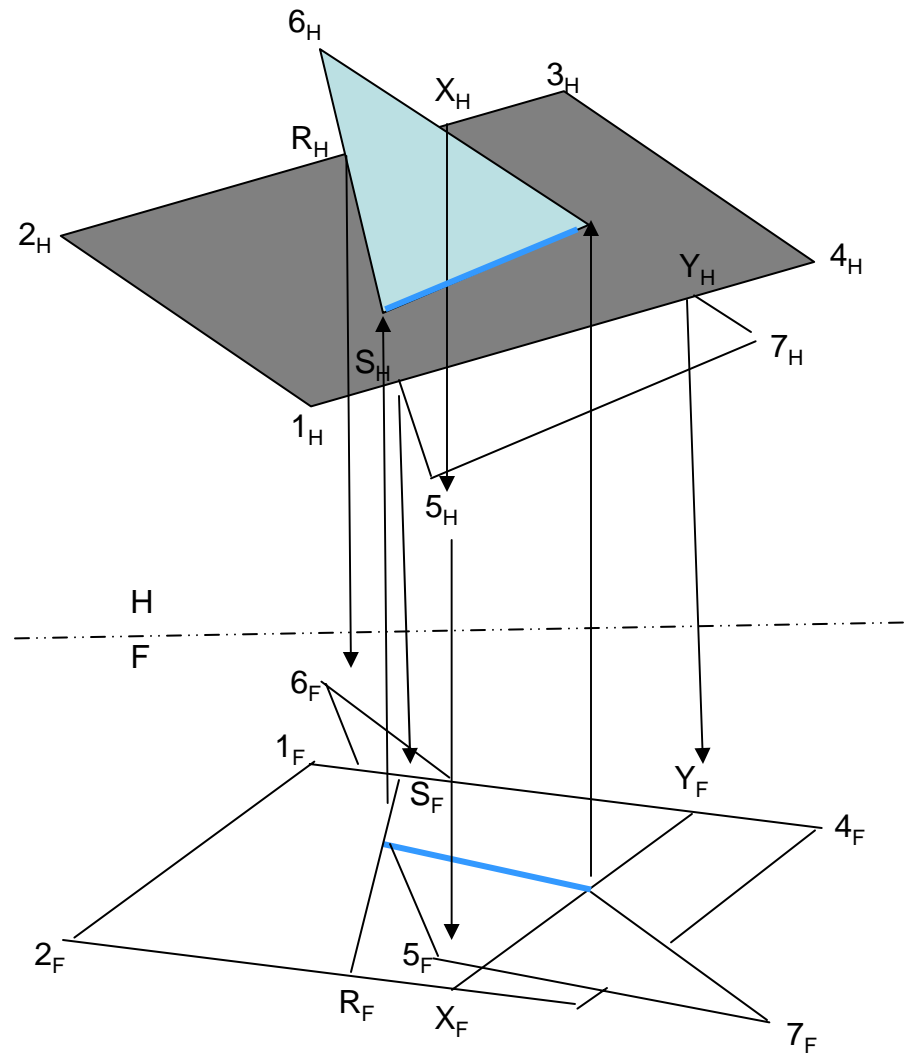


Check visibility

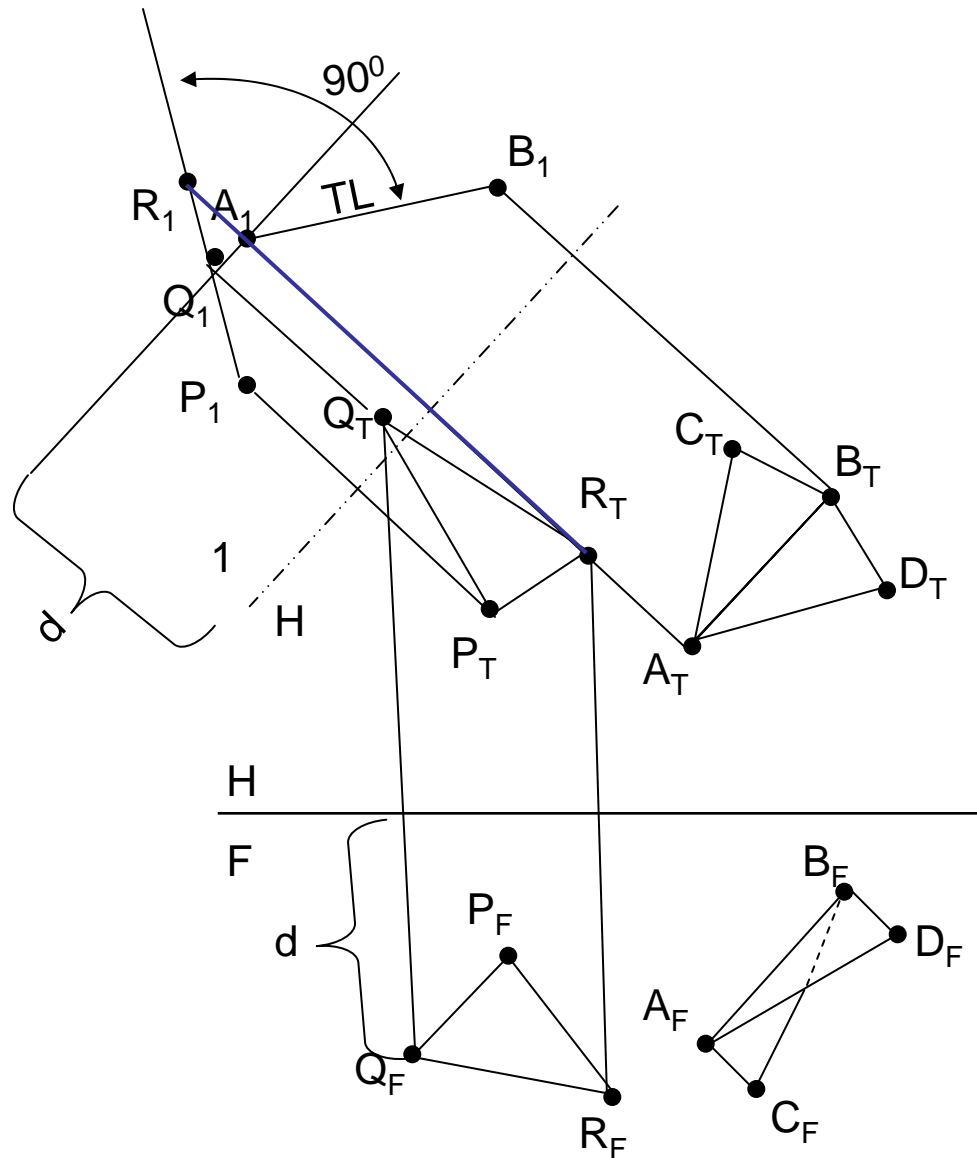
Intersection of Lines and planes – Cutting Plane Method



Intersection of two planes – Edge View Method



Intersection of two planes³ – Cutting Plane Method



Example: Two Planes given – third plane perpendicular to two planes
 Draw its Top View if front view and a point n top view given – What is the concept?

