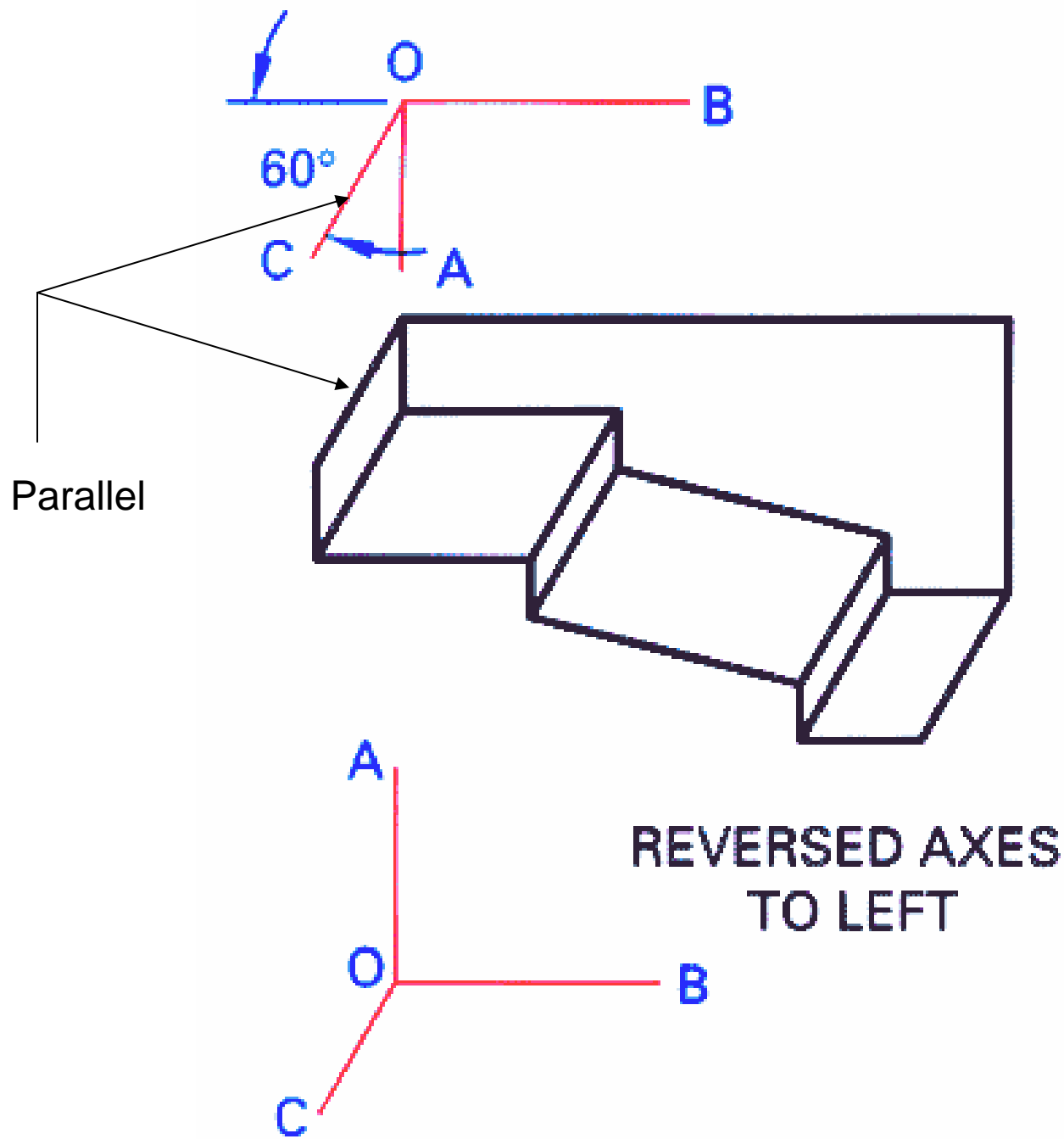


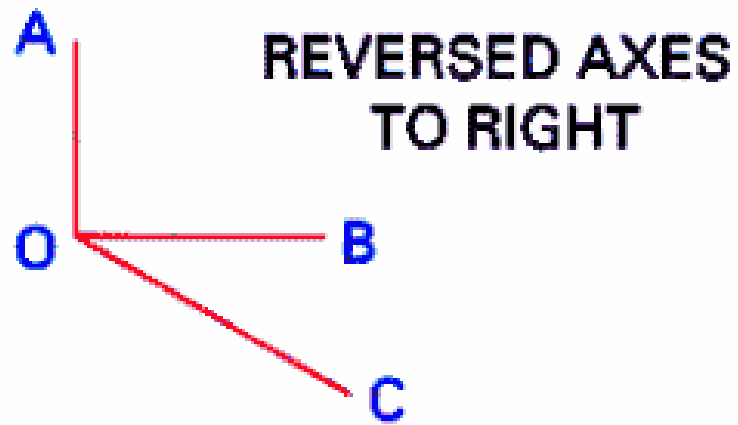
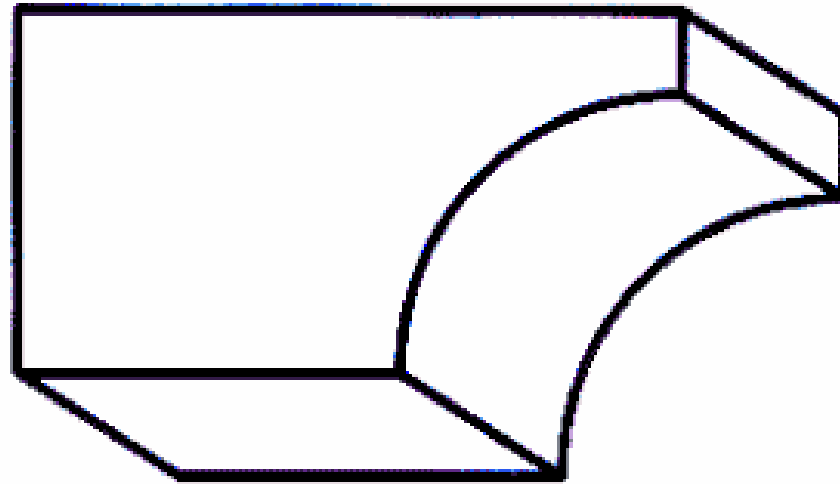
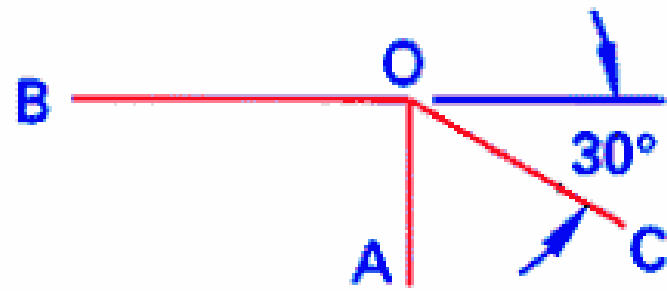
# TA 101

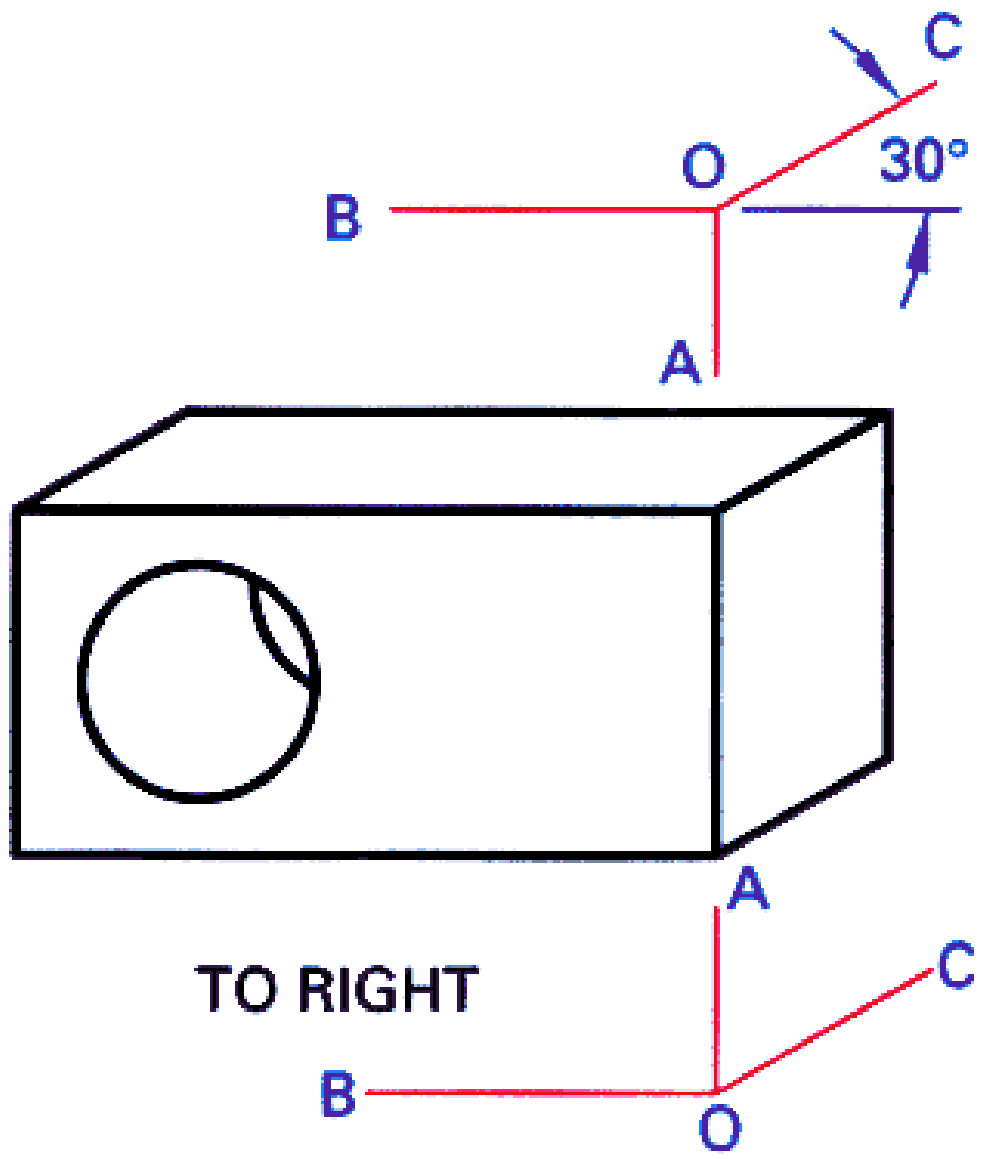
Lecture - 9

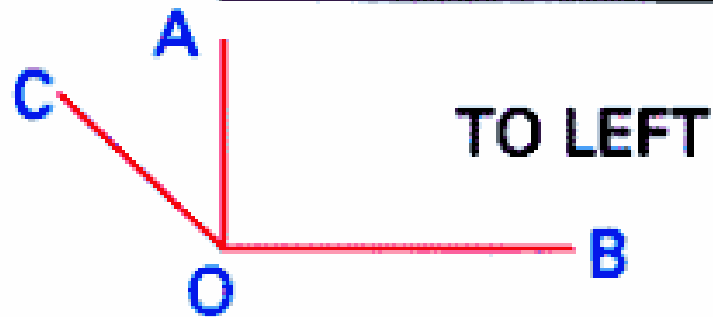
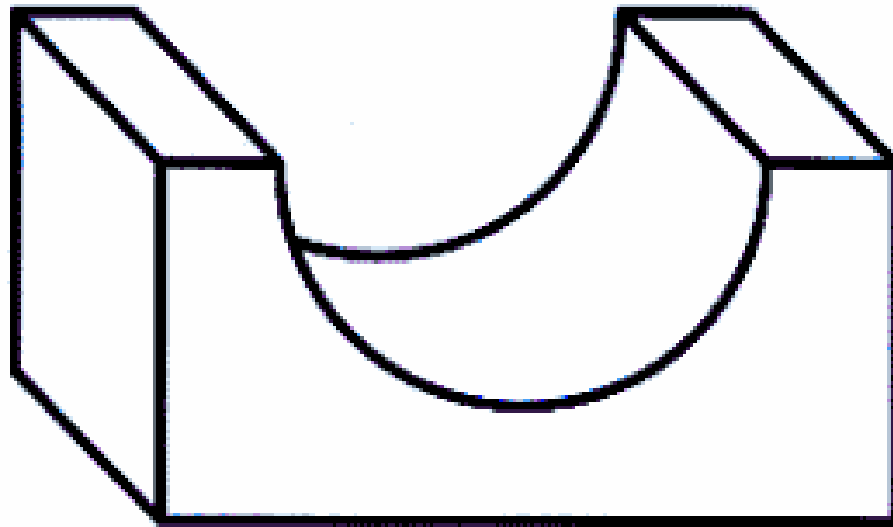
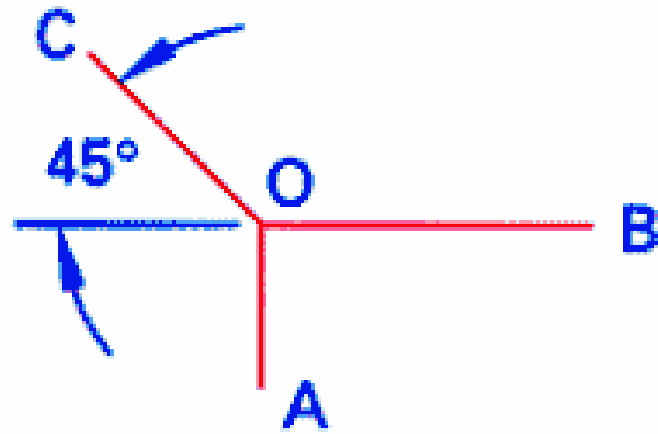
# **Important Announcements Concerning First Mid-sem Exam**

**Course and time to report**

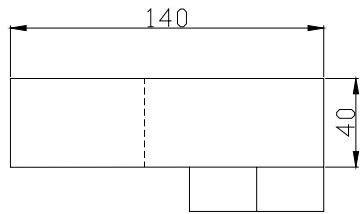




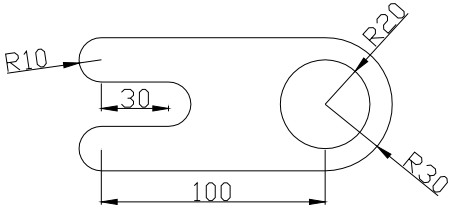
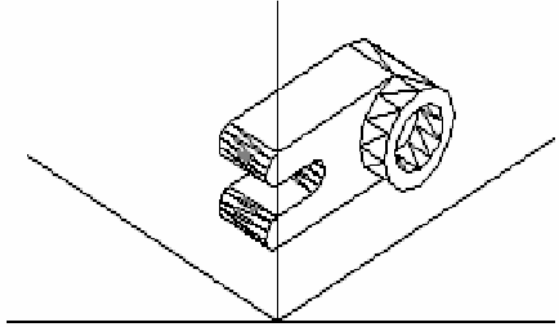




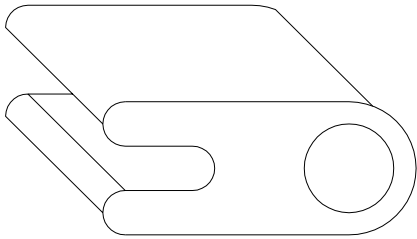
# Isometric and Oblique projections



TOP

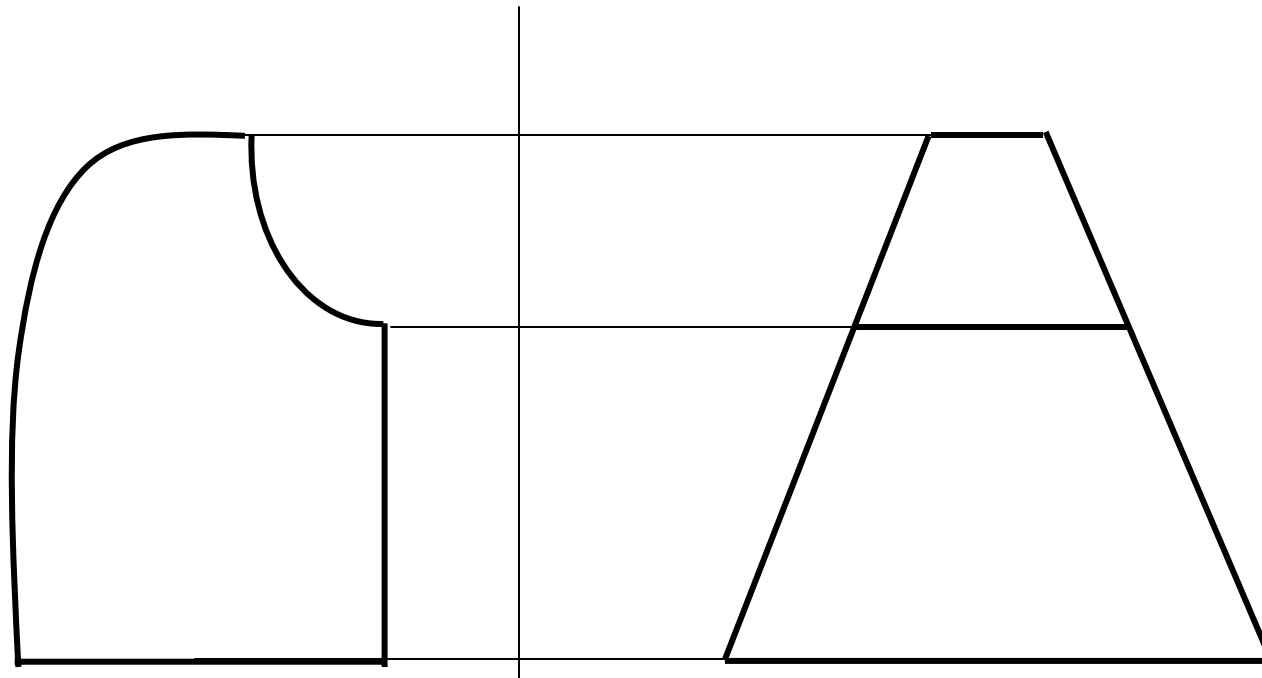


FRONT



OBLIQUE



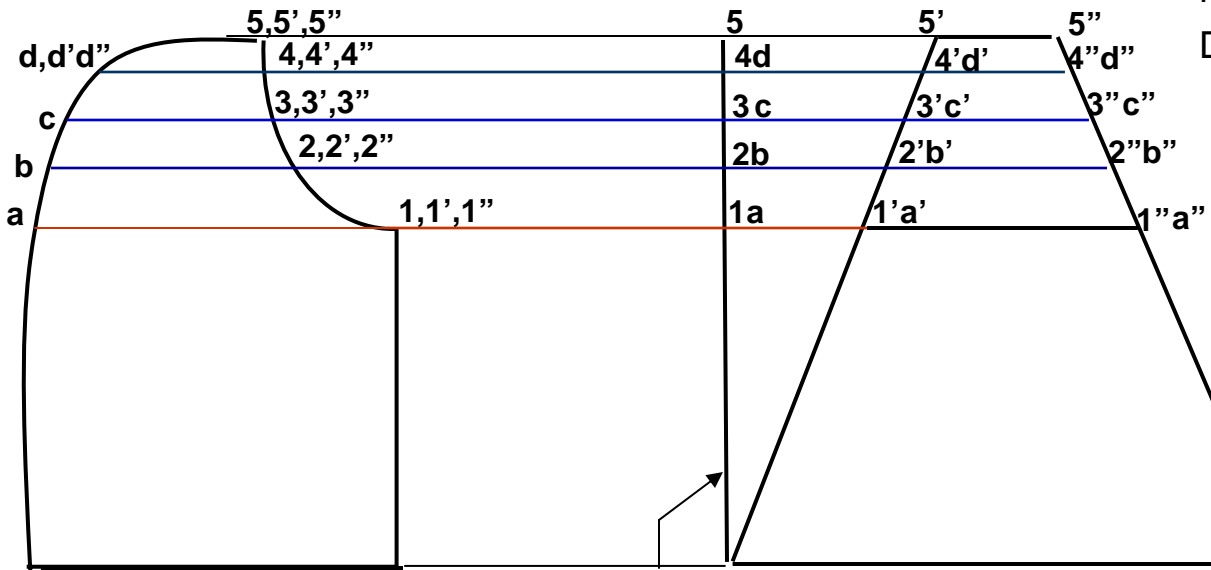


Front View

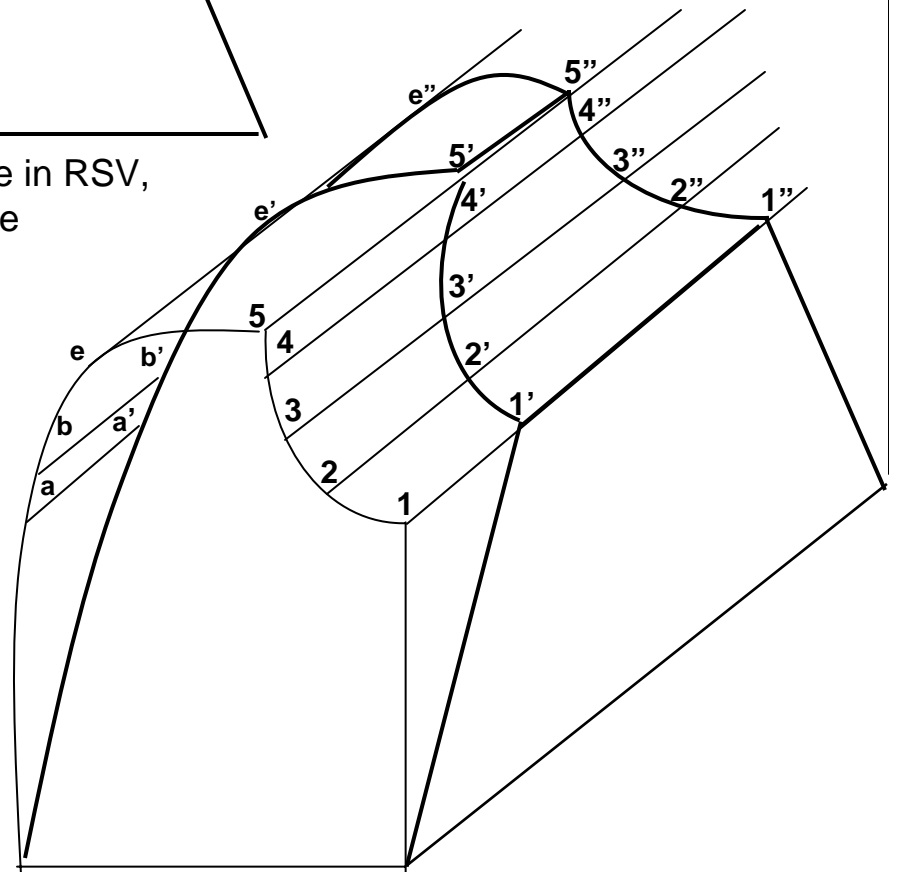
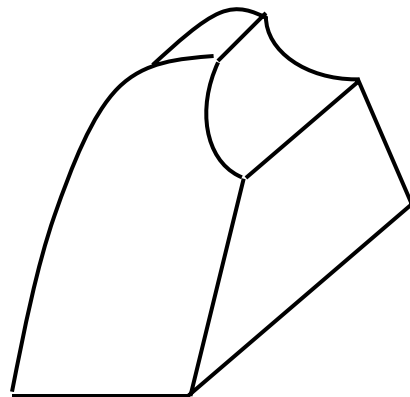
Right Side View

Visualize the Object

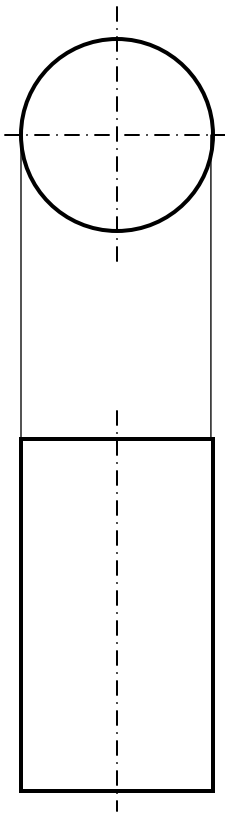
Oblique view of an object with Oblique surfaces



Projection of front face in RSV,  
If front face not oblique



Point, e not shown –space limitation  
 Note: a', a'', b', b'', c', c'' exist but not shown  
 Due to space limitation



Oblique View of Cylinder



Fig 1



Fig 2



Fig 3

## What kind of 3-d Pictures are these? As seen by eyes - Pleasing

Perspective Pictures – How different are these from isometric/oblique drawing



Fig 4

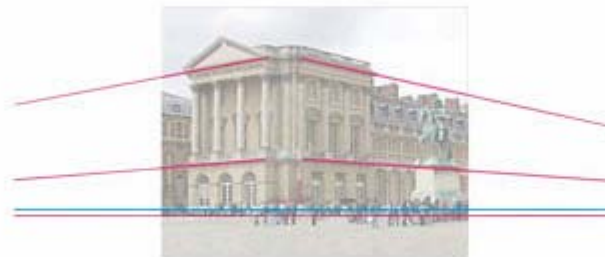


Fig 5

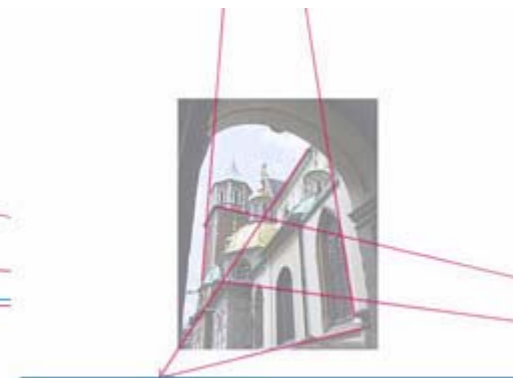


Fig 6

