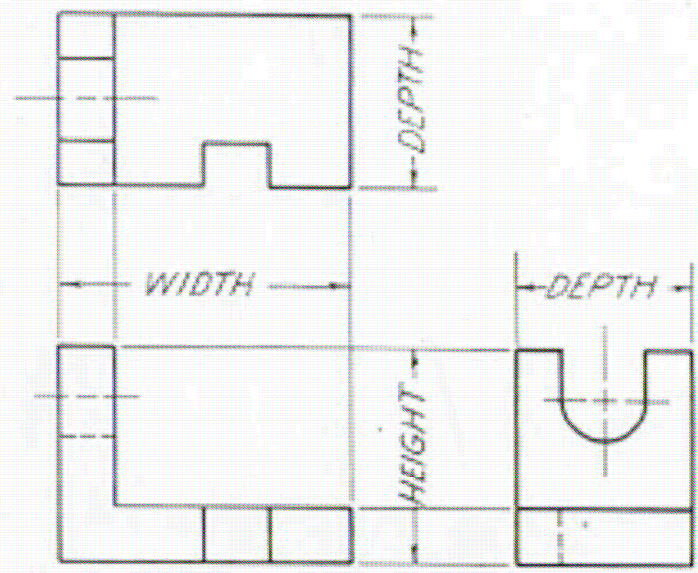
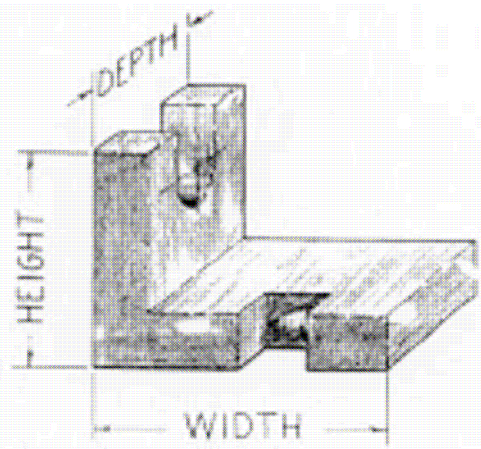


**TA 101**



## CL

Center lines are drawn to indicate the axes of cylinder, conical or spherical objects, also used to show center of circles and arcs. They are composed of short and long dashes (6-8 times bigger), dashes spaced by 1 mm. it is extended beyond the object.

### **If Coinciding**

- Dash and CL

Dash lines take precedence – but the line will be extended beyond object boundary as CL

- Dash and solid line

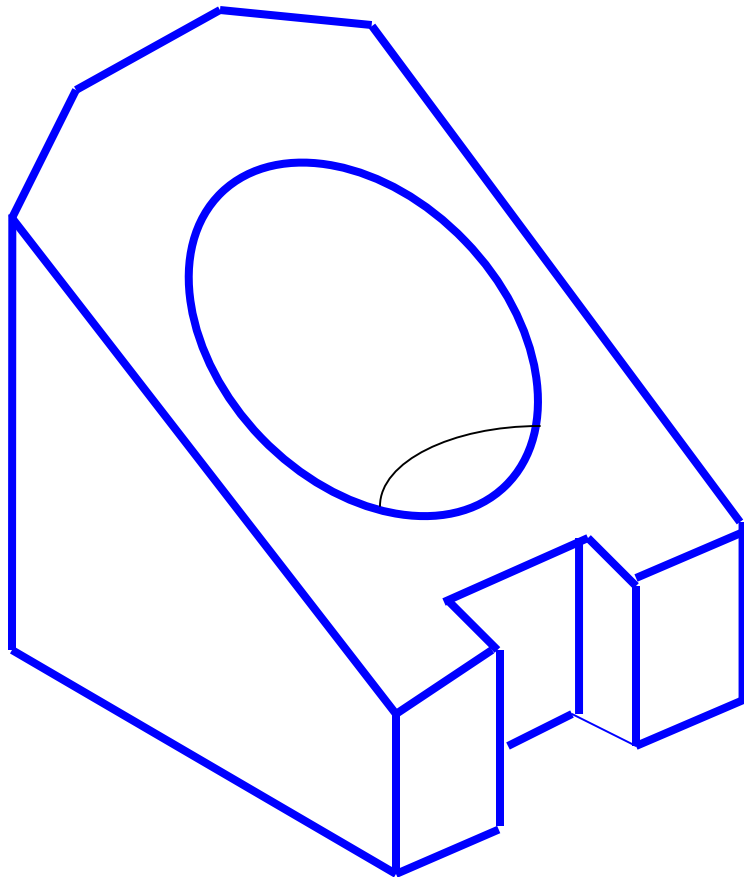
Solid line take precedence

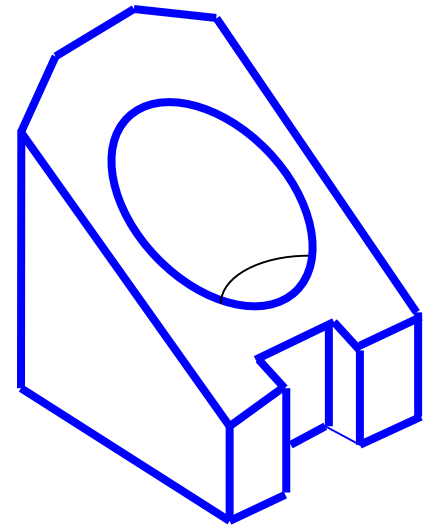
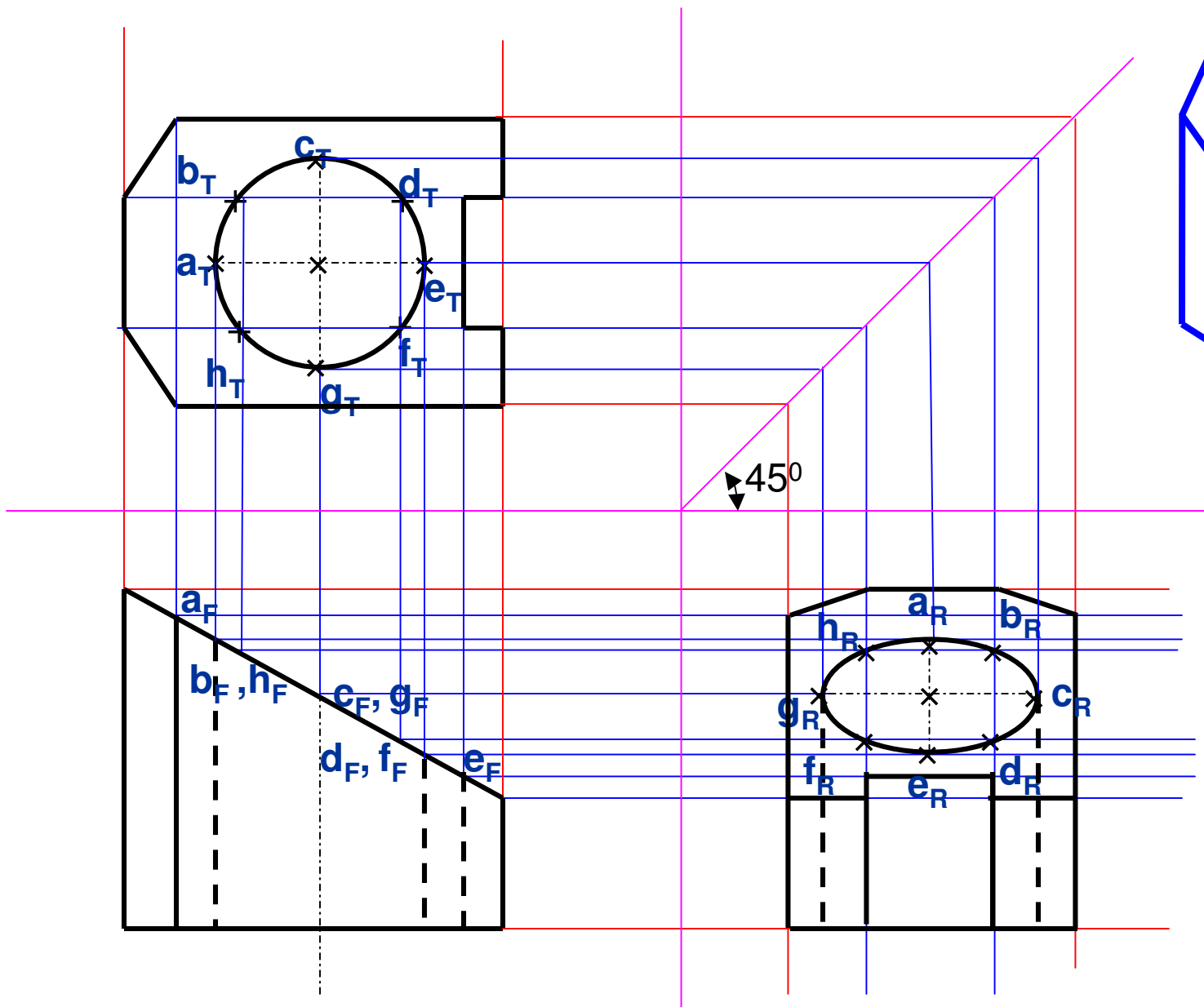
- Dash and CL are lighter than object lines

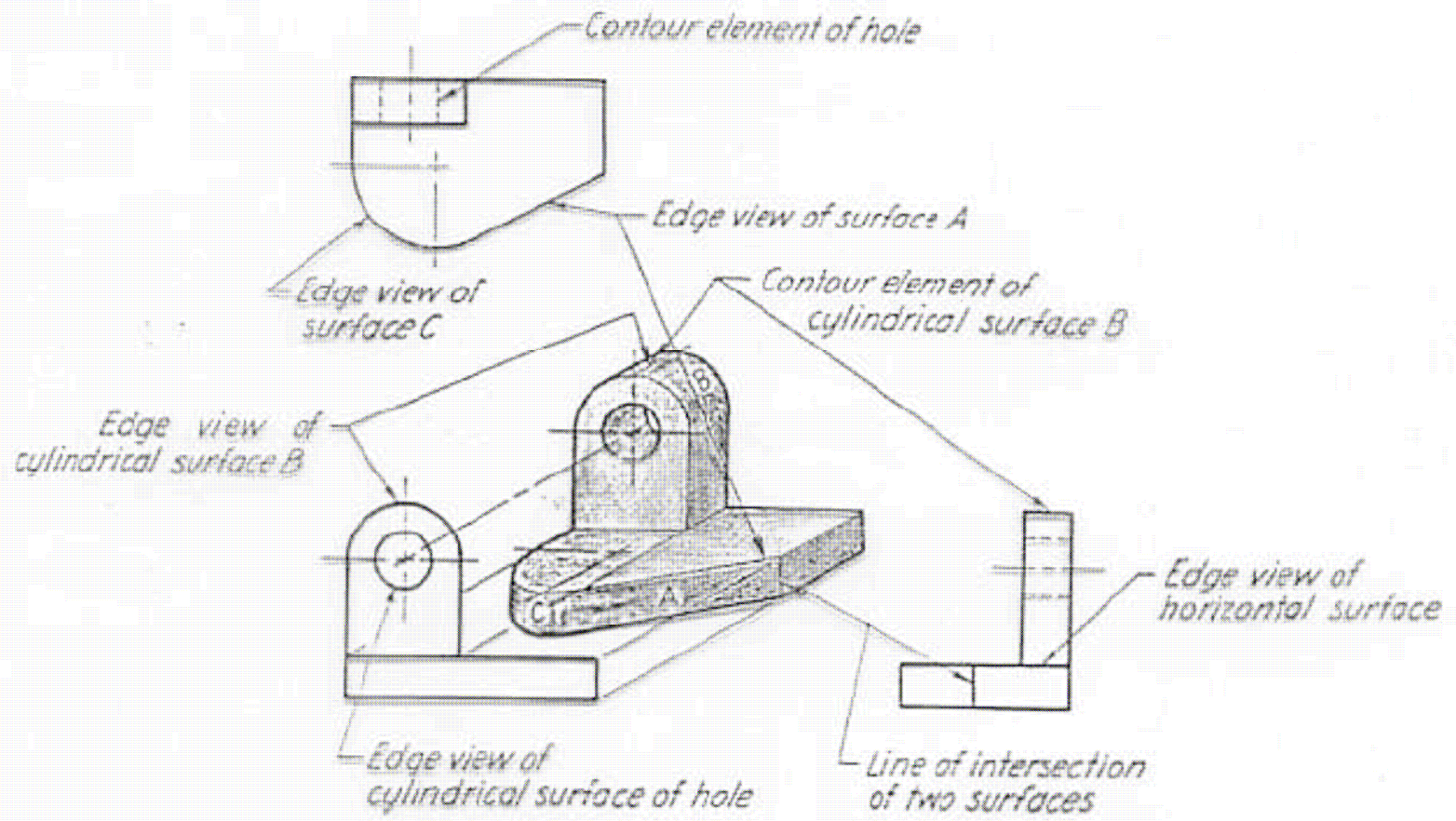
## Some Basic Generalizations

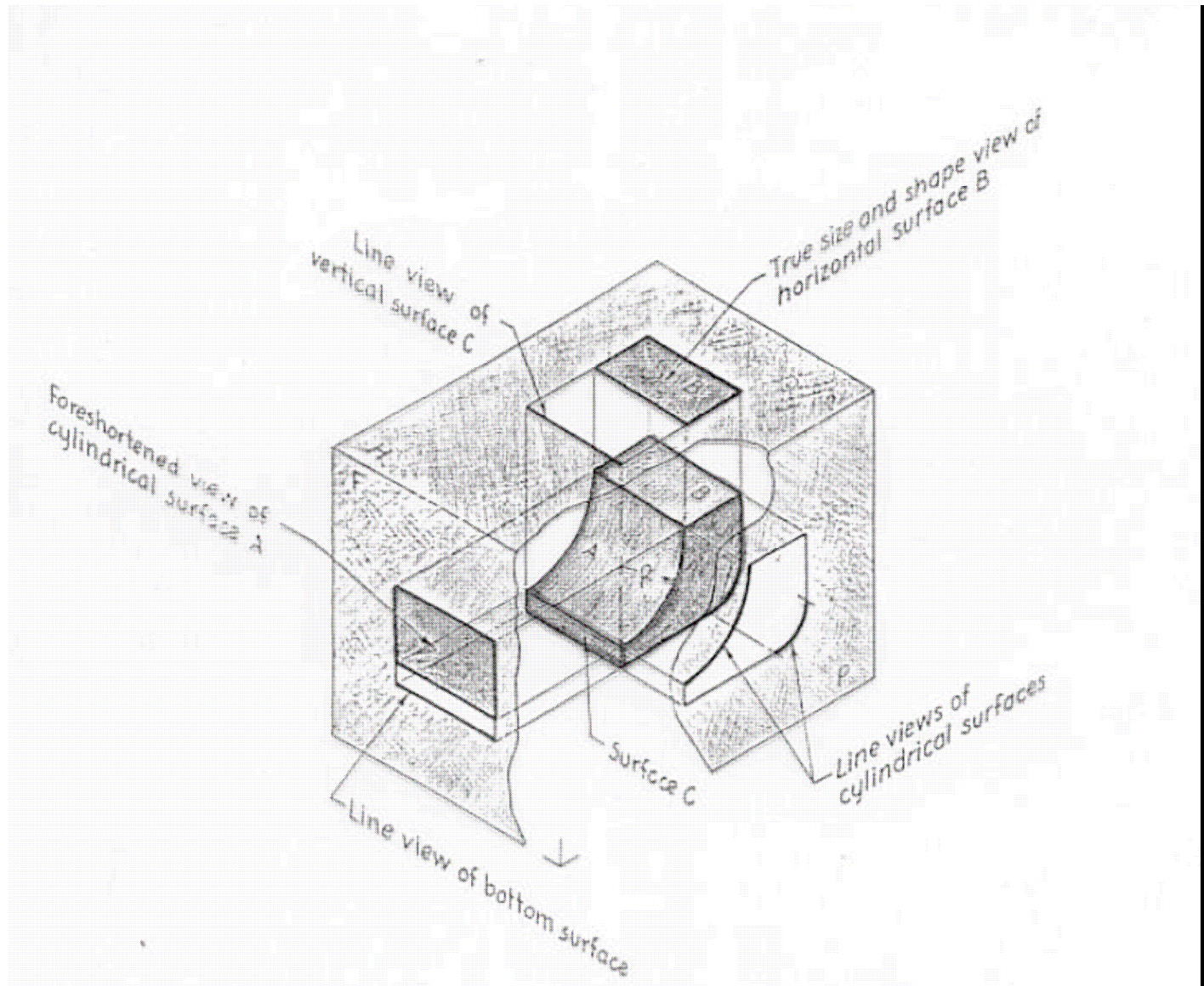
- A surface perpendicular to projection plane will appear as line
- A line perpendicular to the projection plane will appear as point
- A surface parallel to projection plane will appear in true shape
- A line parallel to projecting plane will appear in true length
- A line inclined to projecting plane will always appear foreshortened.

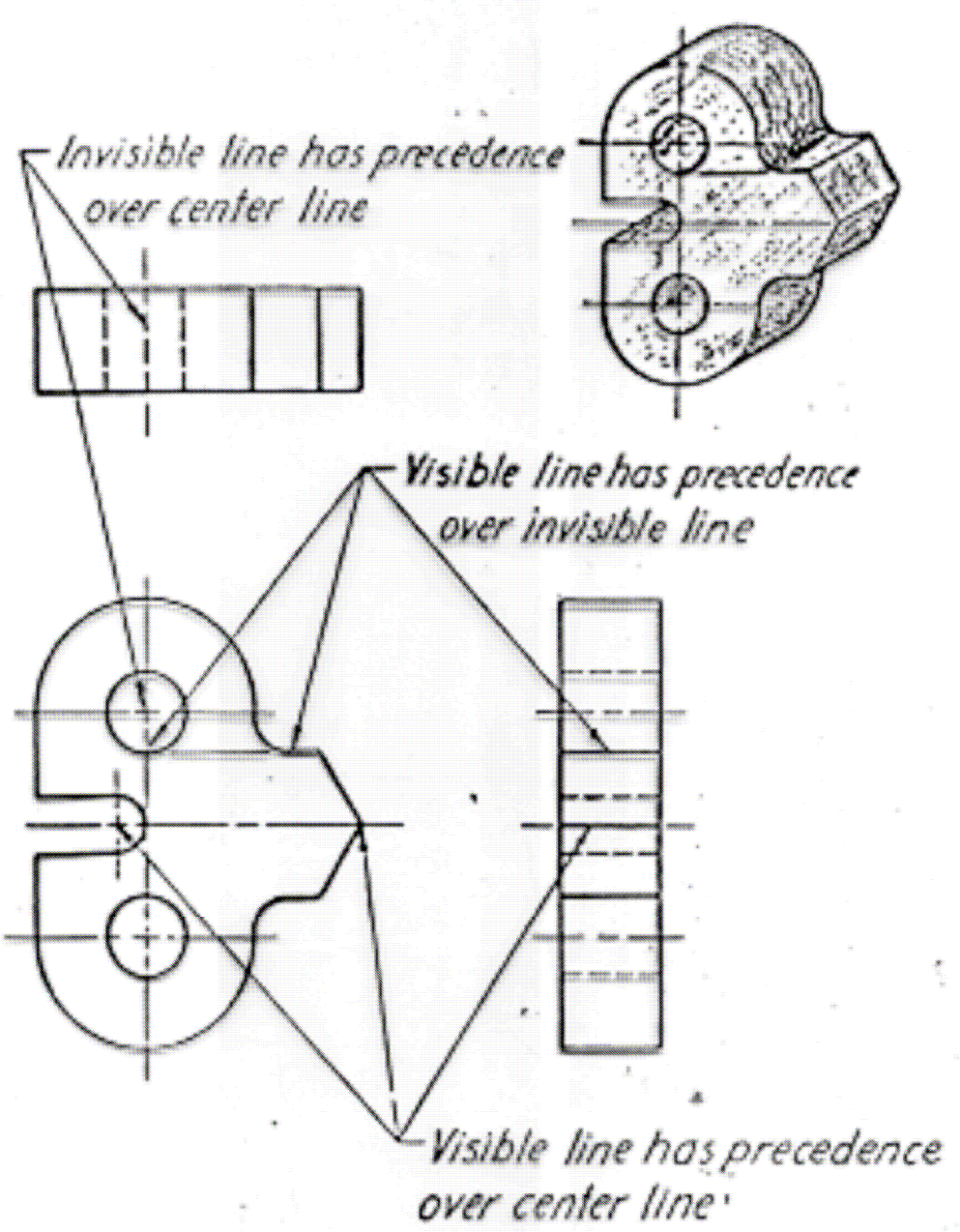
**Frontal Viewing Direction?**





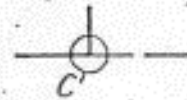
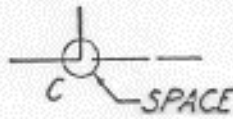
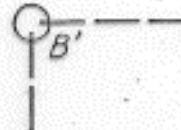
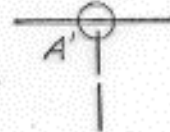
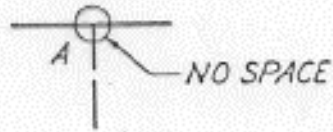


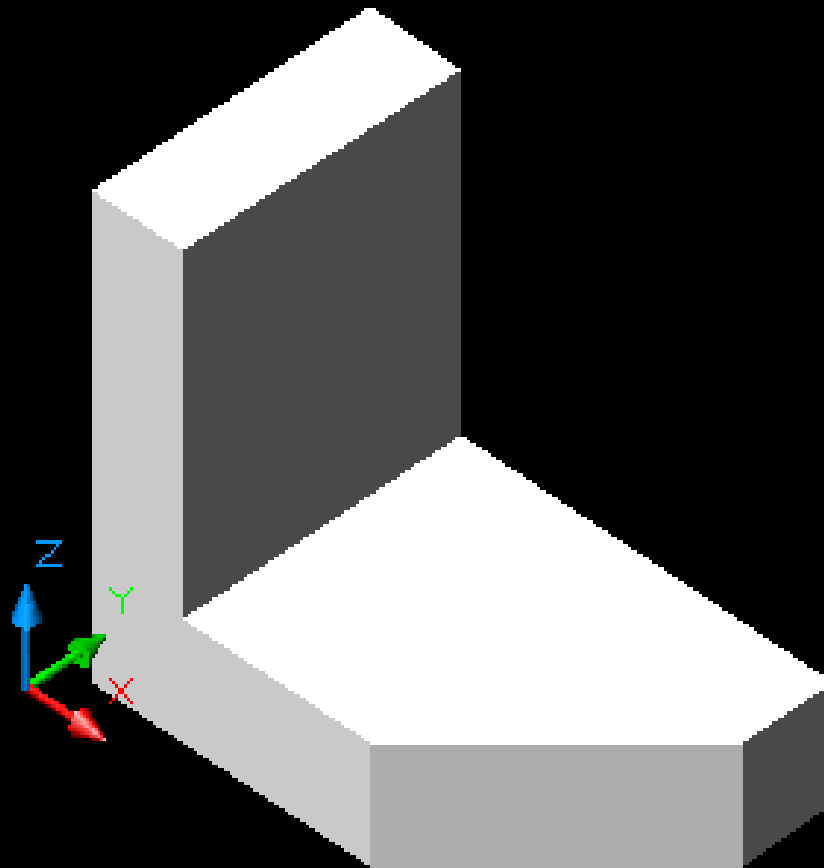


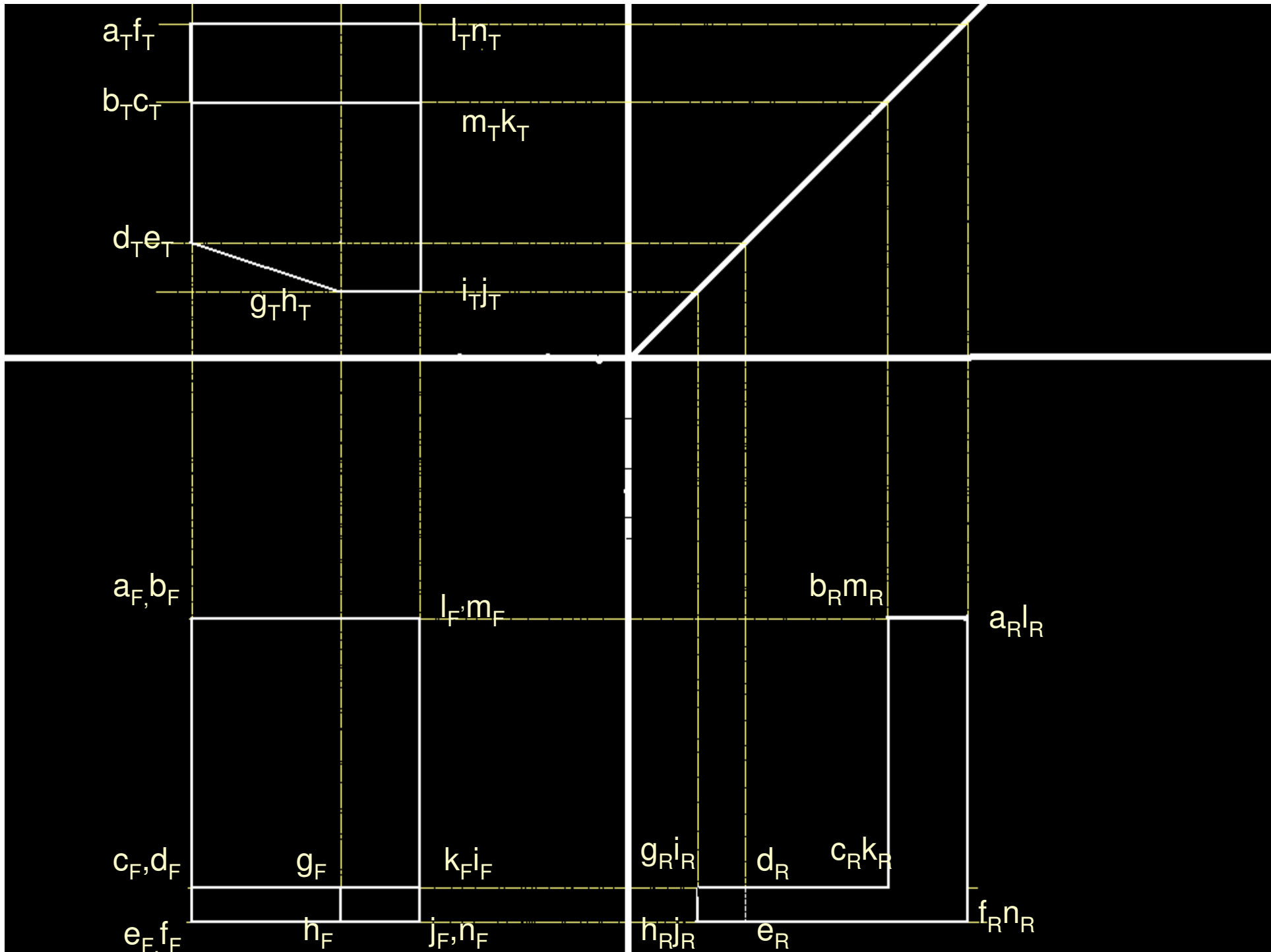


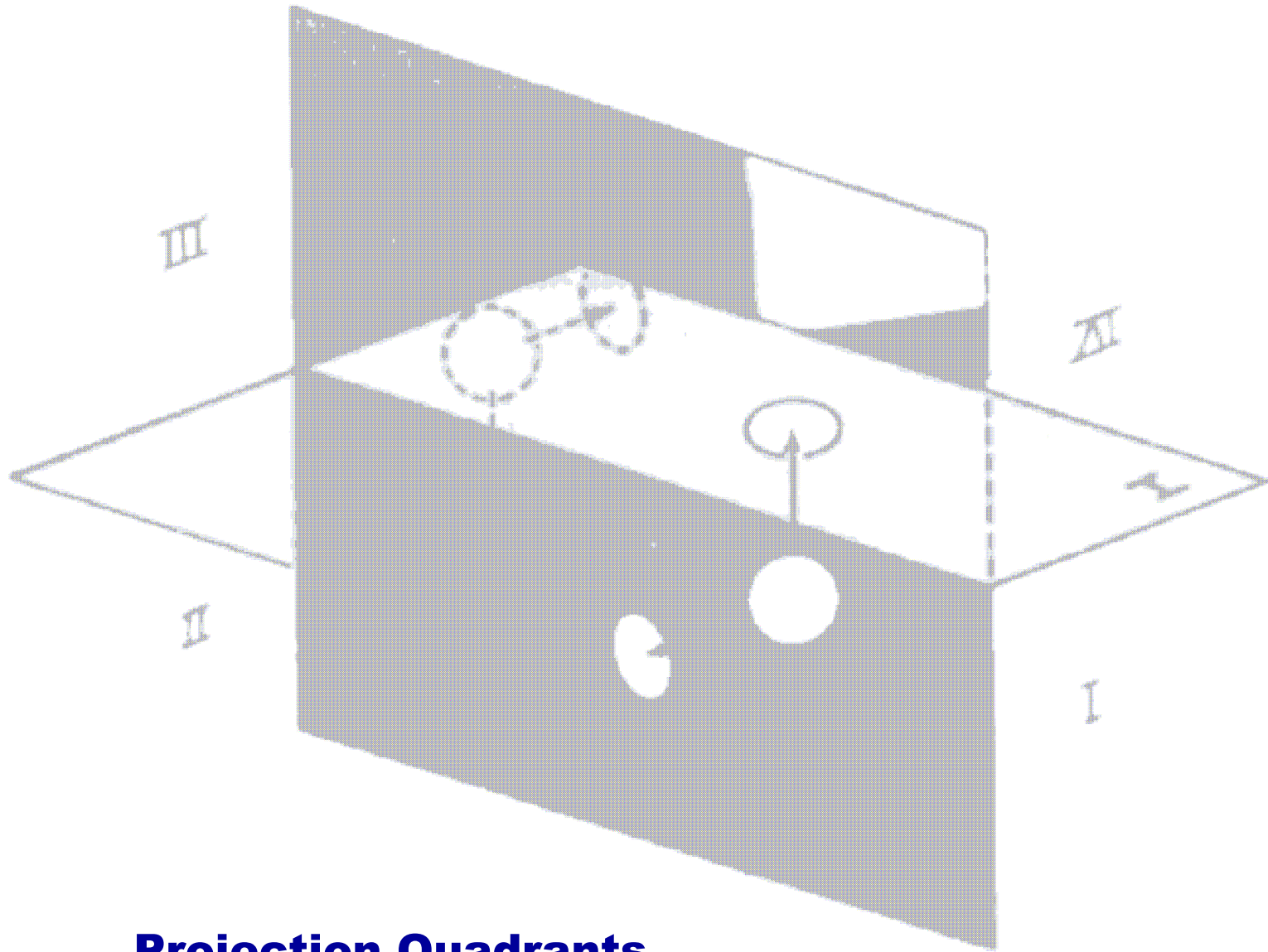
CORRECT

INCORRECT









**Projection Quadrants**