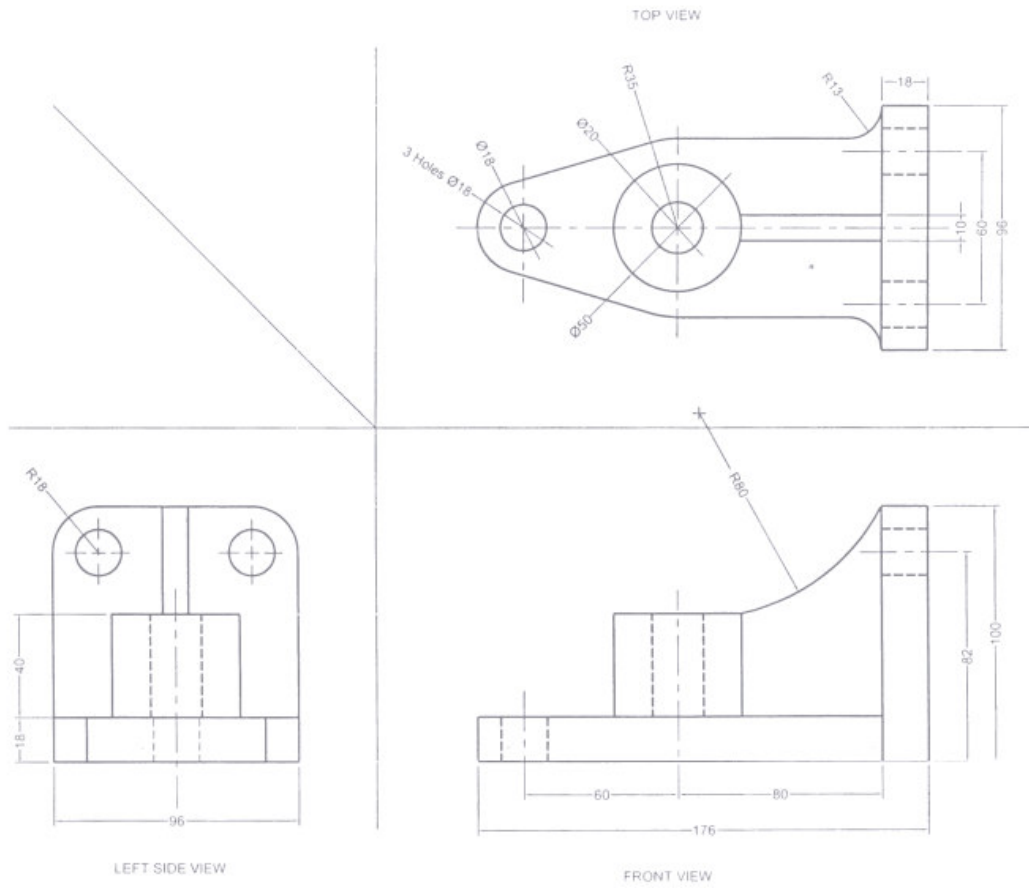
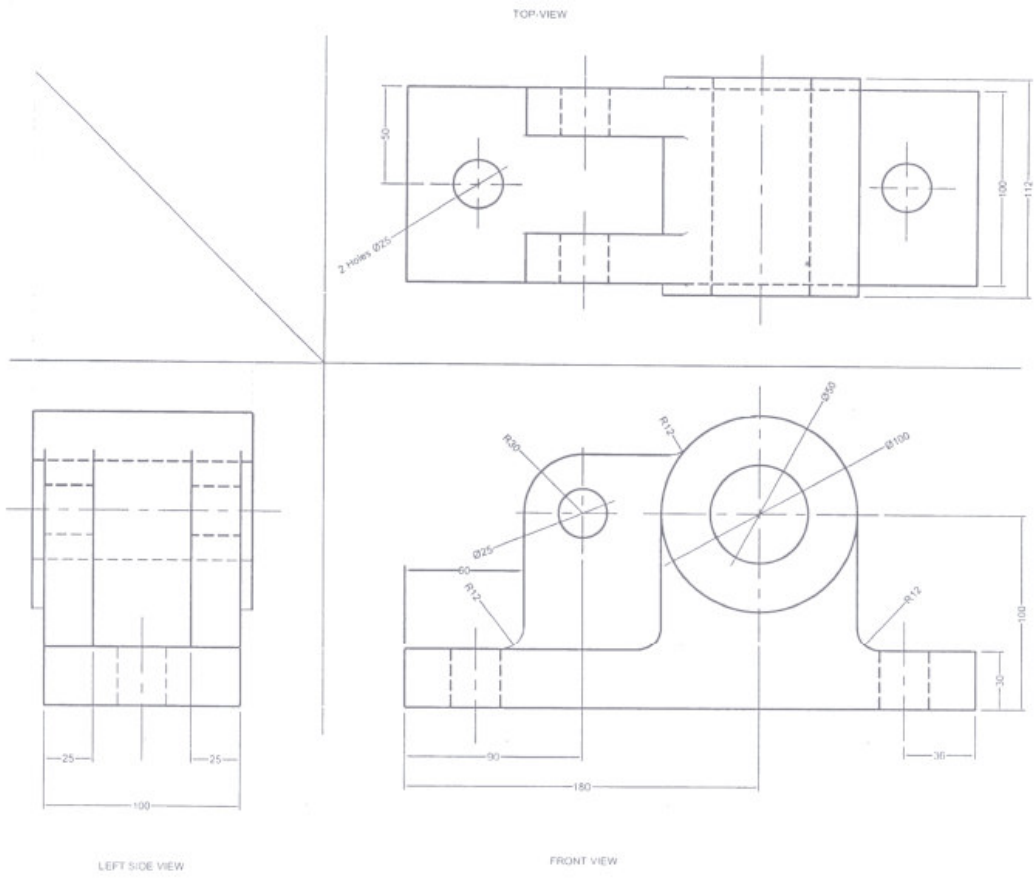


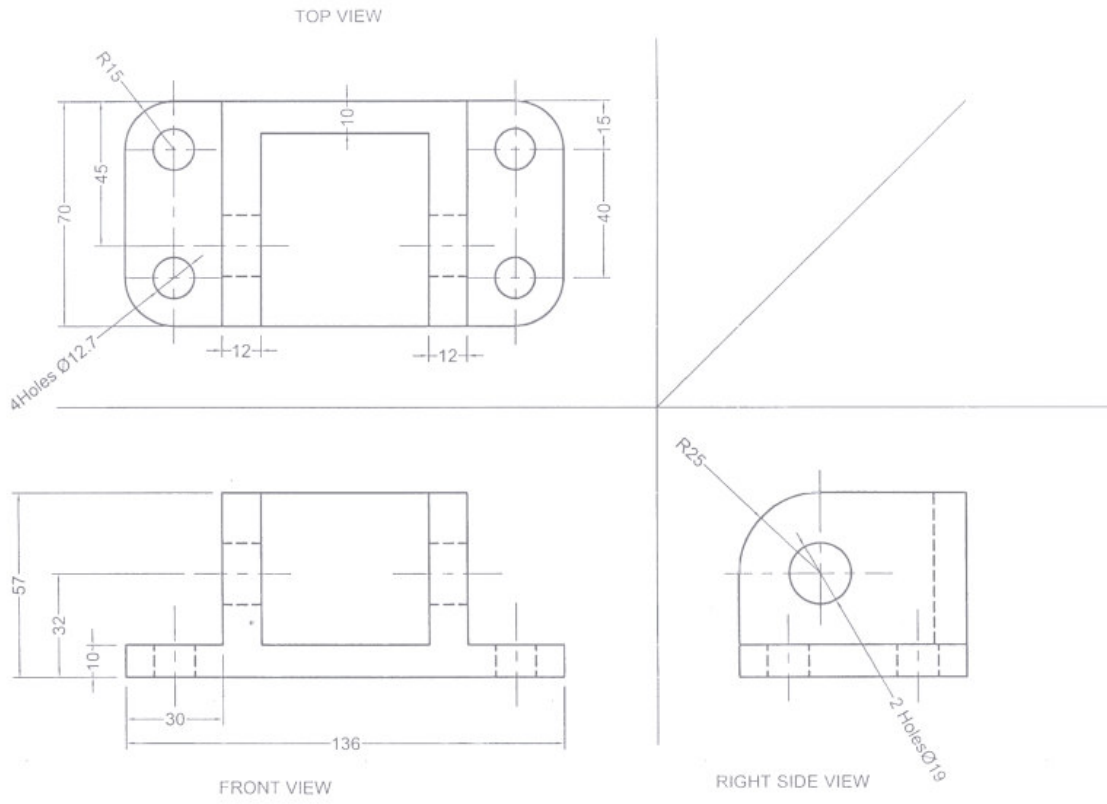
L3 - 3.1



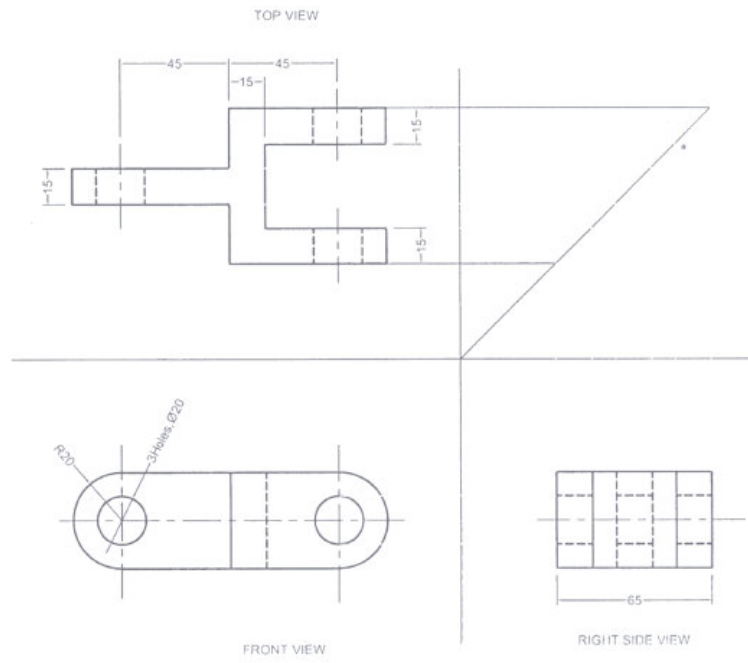
LAB - 3.2



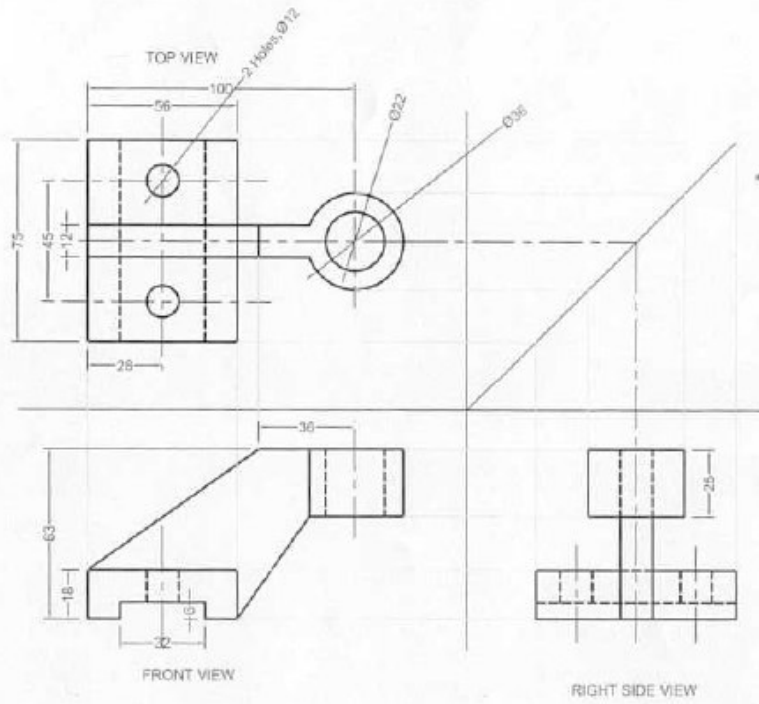
LAB - 3.3



LAB 3 - 3.4



Home - 3.1



Home - 3.2

