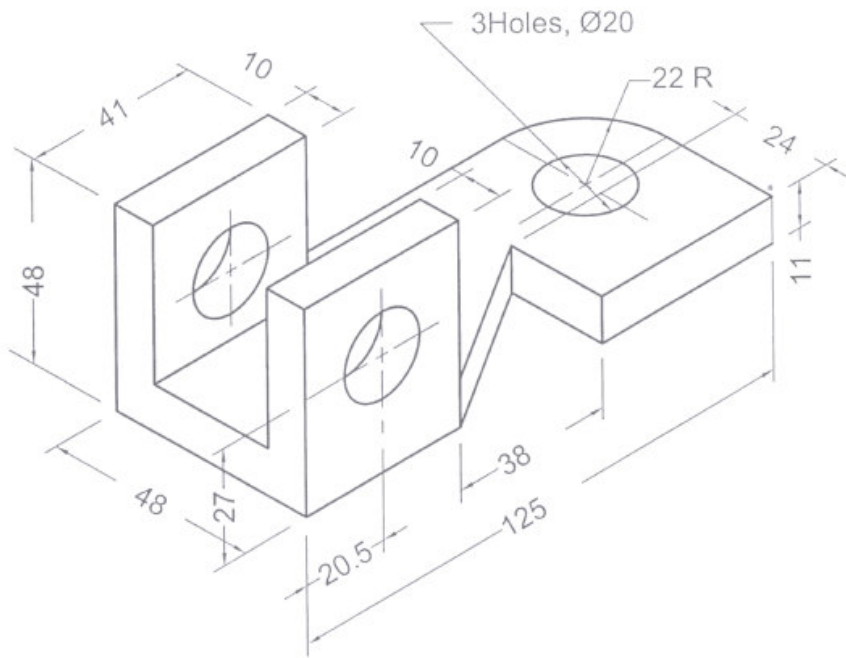
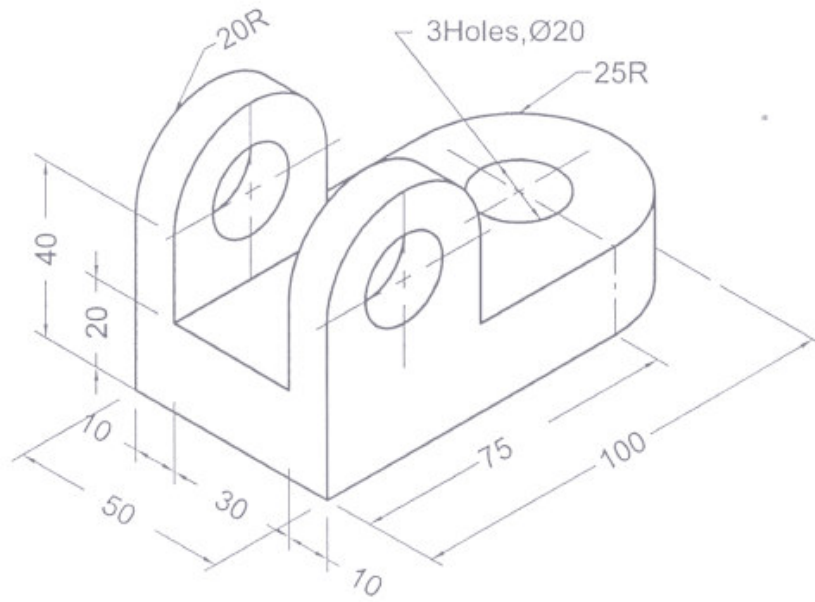


LAB 4 - 4.1



LAB 4 - 4.2



LAB 4 - 4.3