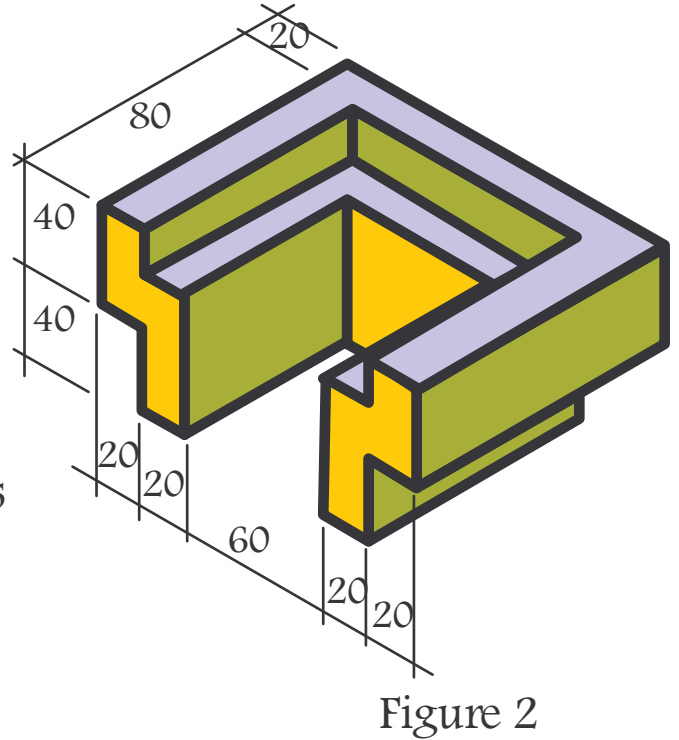
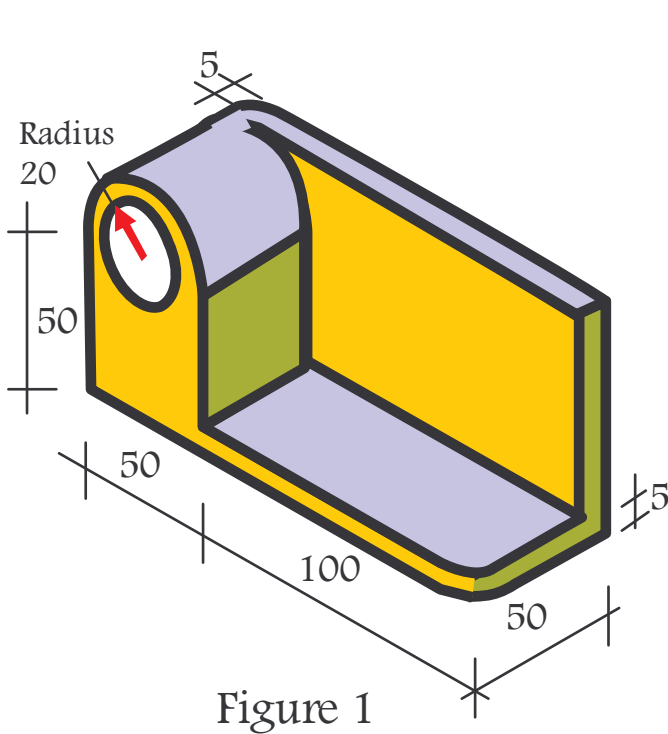


Drawing Class No. 3
Orthographic Projections

Question 1

Draw the 3 orthographic views of the objects shown in Figures 1 and 2.



Question 2

Make a hand-sketch of the possible 3D object whose two orthographic views are given in Figure 3. The object is symmetric about a vertical plane.

