

Drawing Class No. 4  
**Orthographic Projections II**

**Question 1**

Draw the 3 orthographic views of the object shown in Figure 1. All dimensions are in mm.

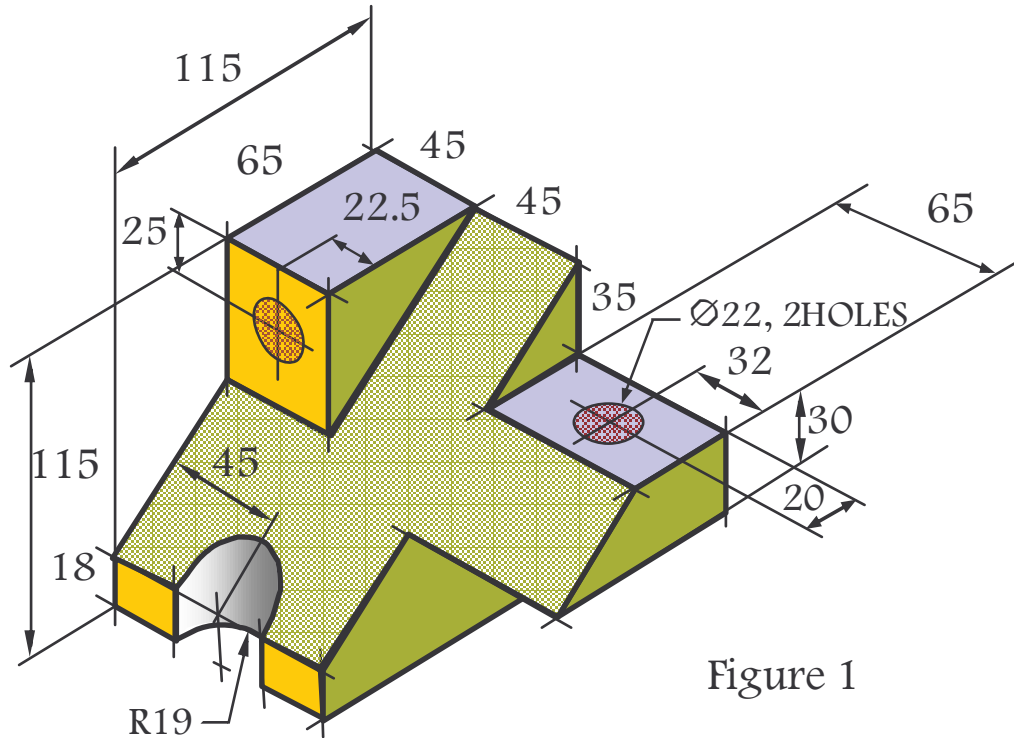


Figure 1

**Question 2**

Draw the 3 orthographic views of the object shown in Figure 2. All dimensions are in mm.

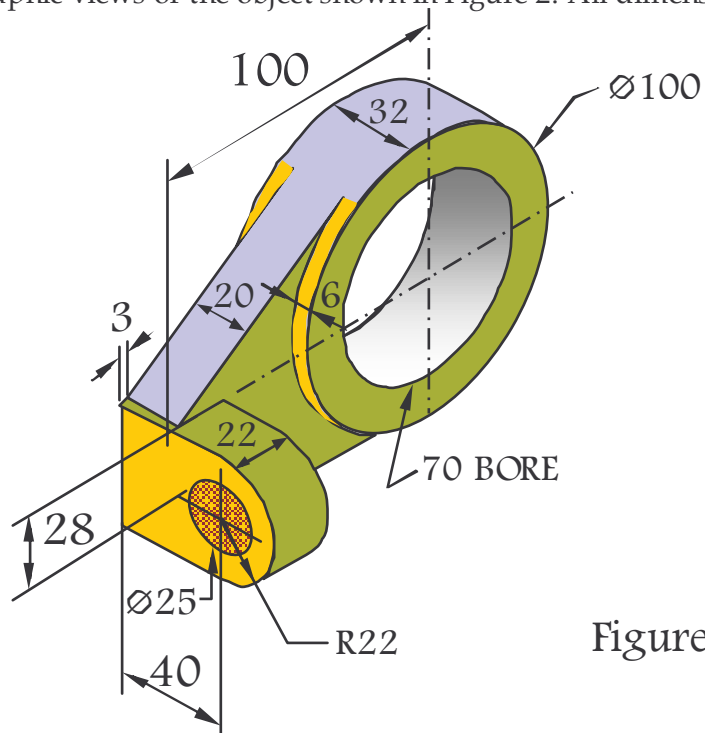


Figure 2