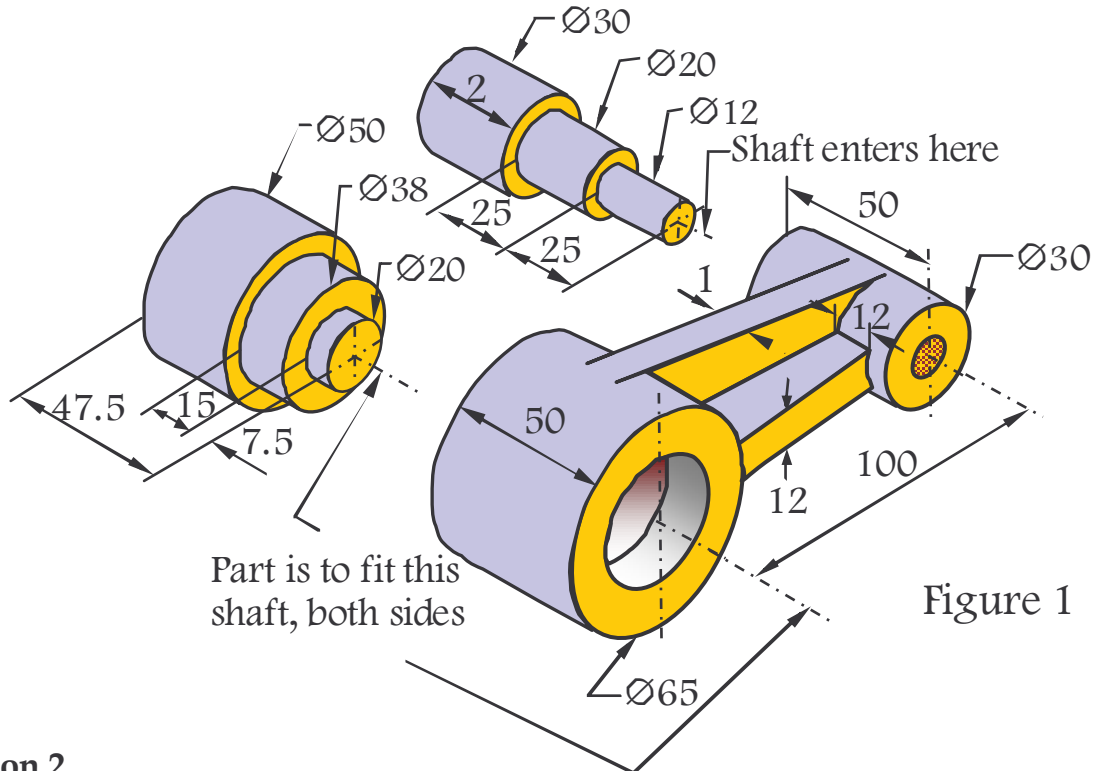


Drawing Class No. 5
Orthographic Projections: Sections

Question 1

Draw two significant orthographic views of the object shown in Figure 1 with one of them showing the section. All dimensions are in mm.



Question 2

Draw two significant orthographic views of the object shown in Figure 2 with one of them showing the section. All dimensions are in mm.

16 Drill, 6 Holes
 Equally Spaced

