

Drawing Class No. 8
Isometric Projections II

Question 1

Draw the isometric projection of the object shown in Figure 1 based on the two orthographic views given in THIRD ANGLE PROJECTION. All dimensions are in mm.

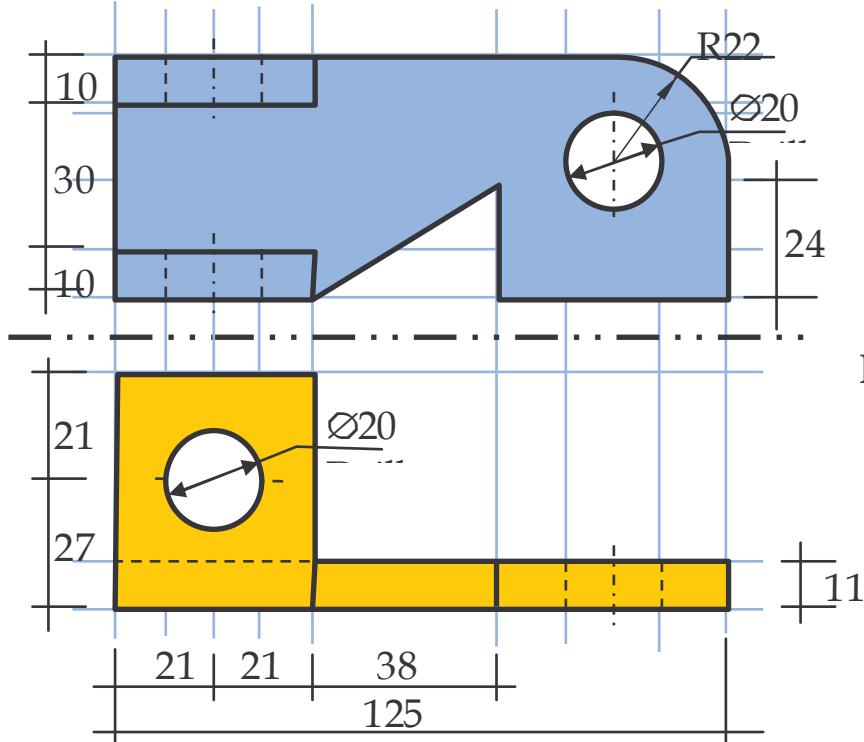


Figure 1

Question 2

Make isometric drawings of the object shown in Figure 2 based on the two orthographic views given in THIRD ANGLE PROJECTION.

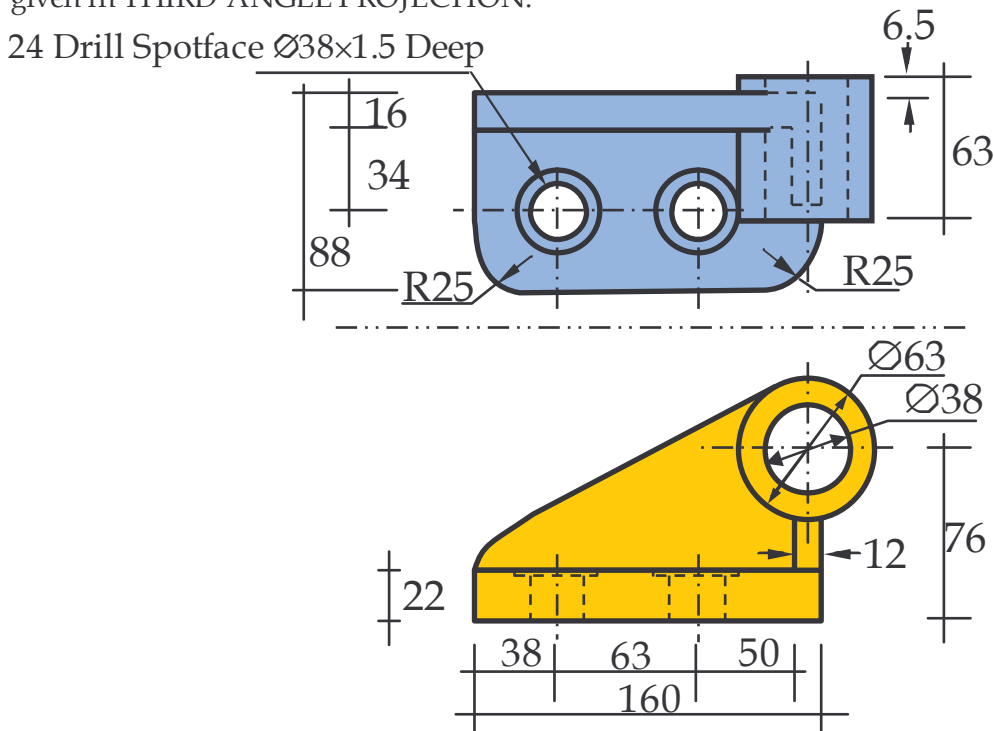


Figure 2