

Drawing Class No. 11  
Development of Surfaces

**Question 1**

Develop the surface formed by the intersection of two circular pipes meeting at right angles.

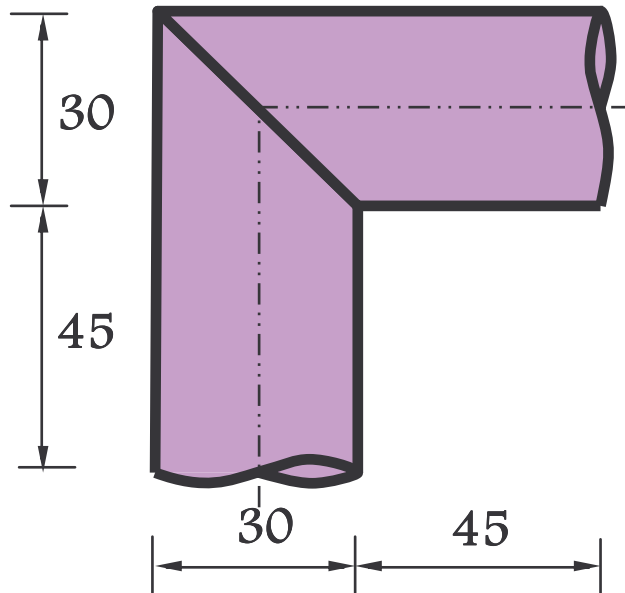


Figure 1

**Question 2**

Develop the surface of (a) the truncated right circular cone (Figure 2), and (b) the transition section (Figure 3).

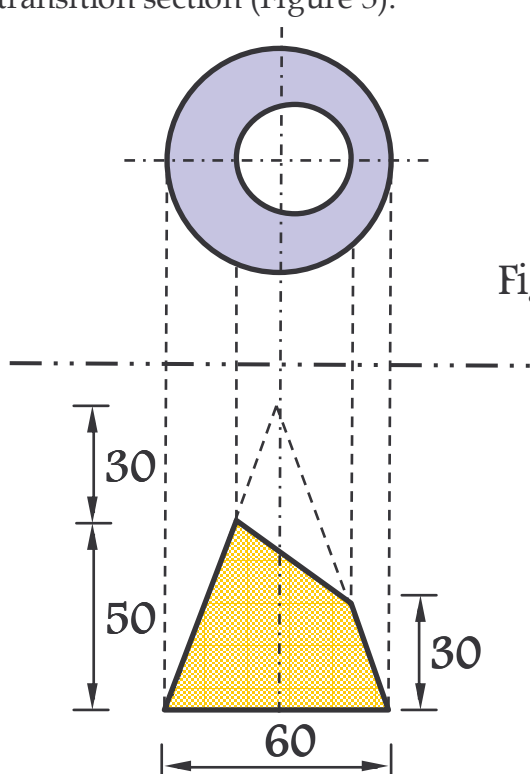


Figure 2

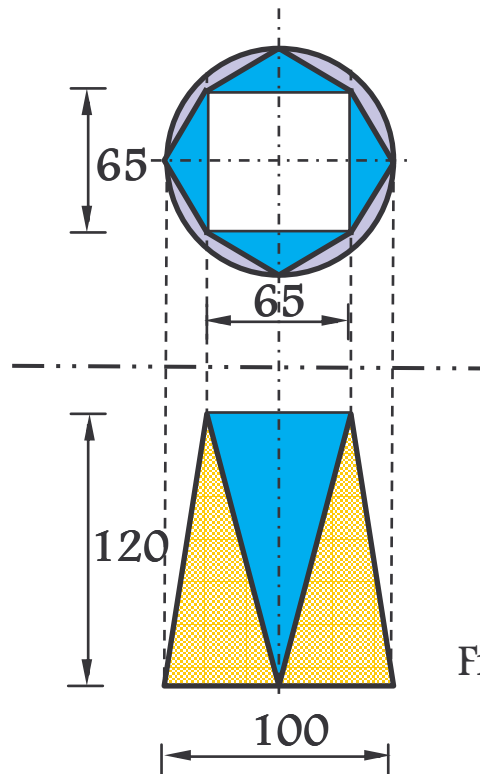


Figure 3