

Homework No. 5
Orthographic Projections: Sections

Question

Draw two significant orthographic views of the objects shown in Figures 1 and 2, with one of the views showing a section. All dimensions are in mm.

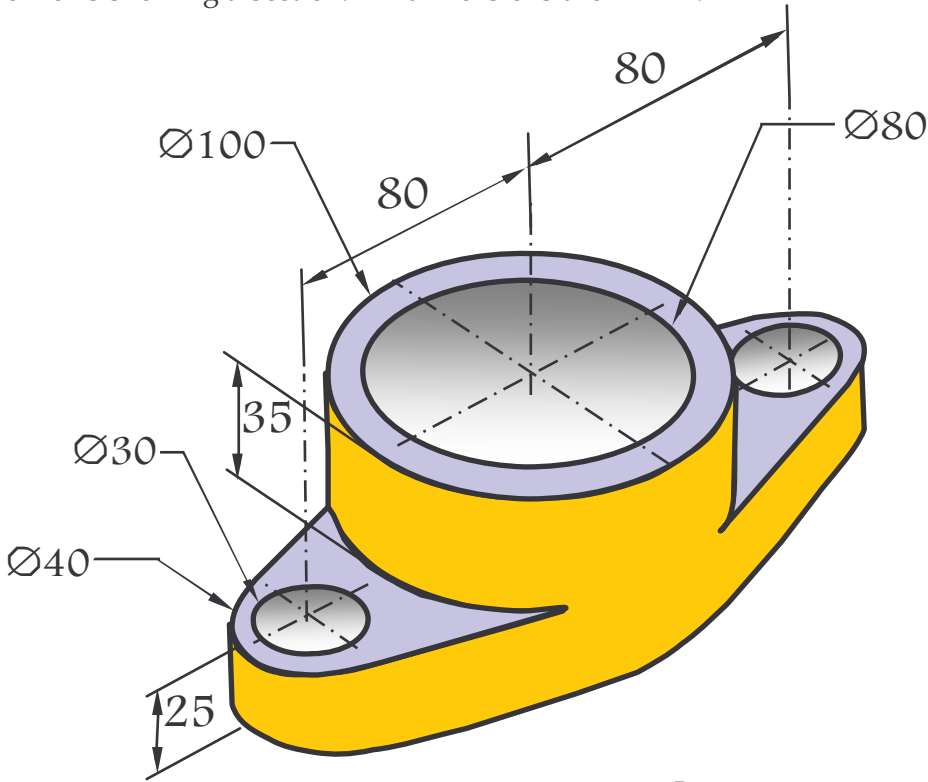


Figure 1

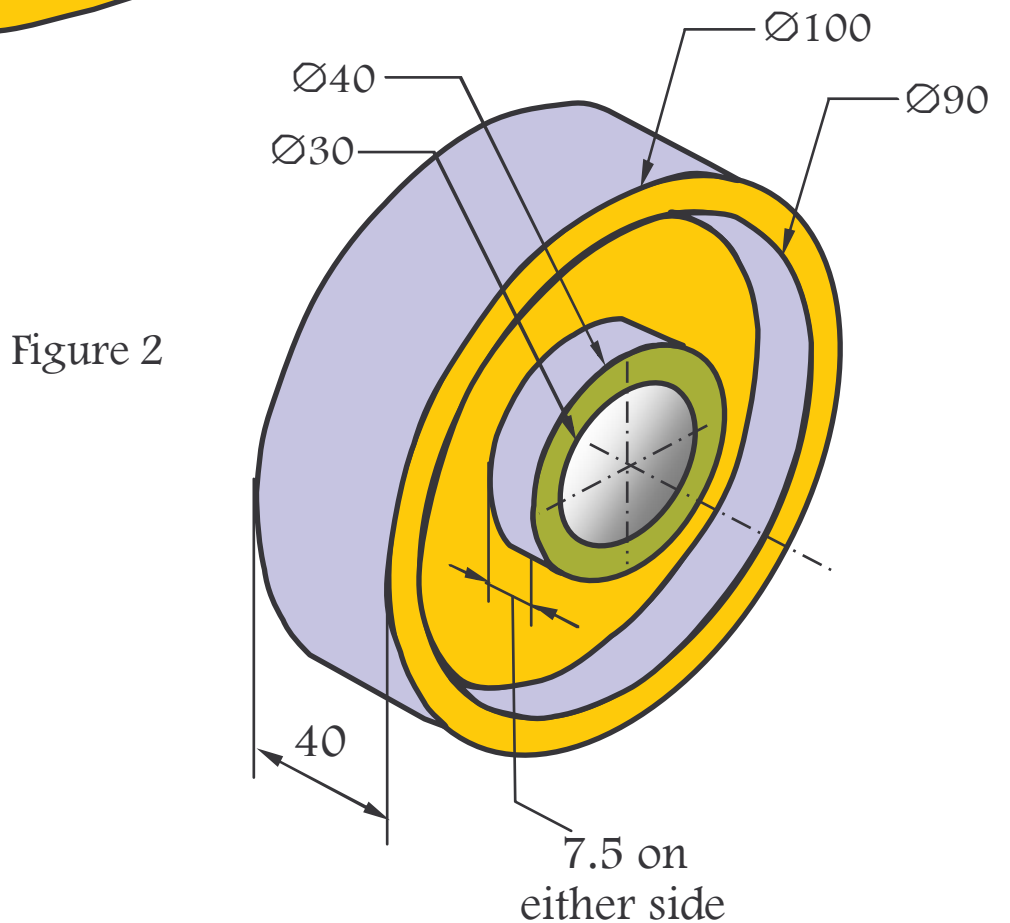


Figure 2