

Homework No. 8
Isometric Projections II

Question 1

Draw the isometric *projection* of the objects shown in Figures 1 and 2 based on the given orthographic views in THIRD ANGLE PROJECTION. All dimensions are in mm.

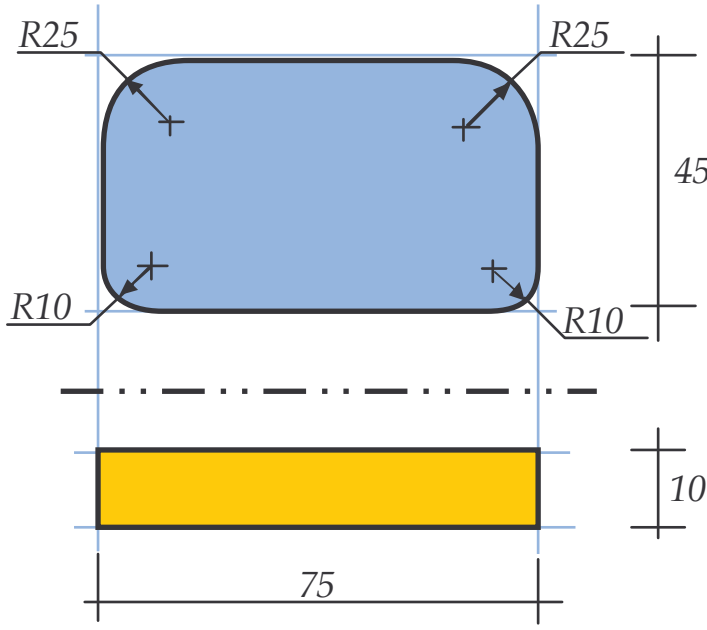


Figure 1

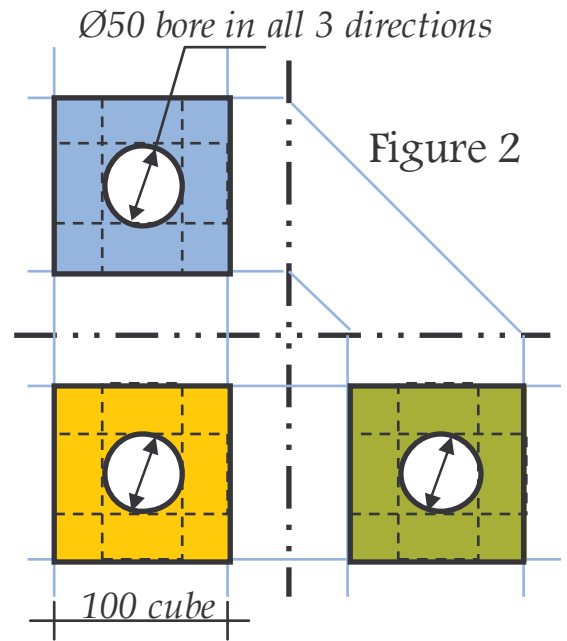


Figure 2

Question 2

Make isometric *drawings* of the object shown in Figure 3 based on the three given orthographic views in THIRD ANGLE PROJECTION. Use proportional dimensions.

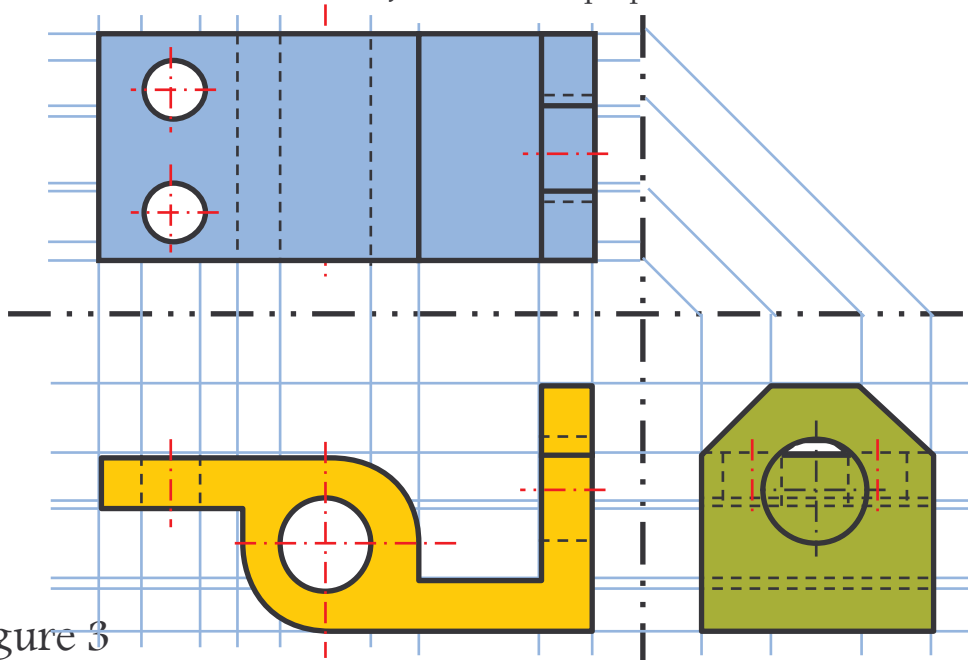


Figure 3