

First Mid-Semester Examination

ORTHOGRAPHIC PROJECTIONS



TA 101 : Engineering Graphics

2007-08 Semester II

January – May 2008

EXAMINATION DETAILS

- 02 February 2007
 - Closed Book
 - 8am – 9:15am
 - Marks: 20
 - Drawing Hall Complex / 4i Laboratory

COMMENTS

- **Notes**

- 1. Complete the TITLE BLOCK before beginning to answer the questions.
- 2. Do not exchange drawing instruments during the examination.
- 3. Do not use any electronic calculator.
- 4. Do not show any dimension.

OUTLINE

- Two questions
 - Third Angle Projection
 - First Angle Projection



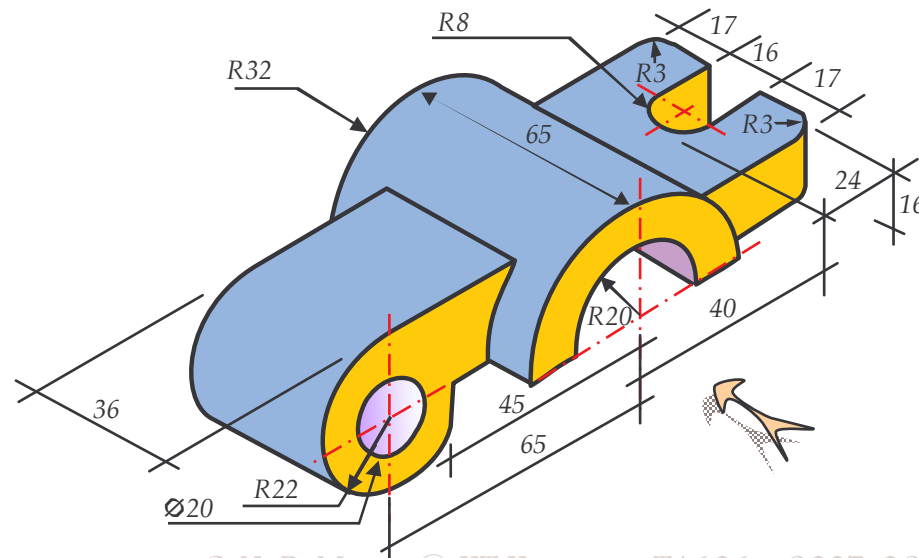
QUESTION 1

STATEMENT

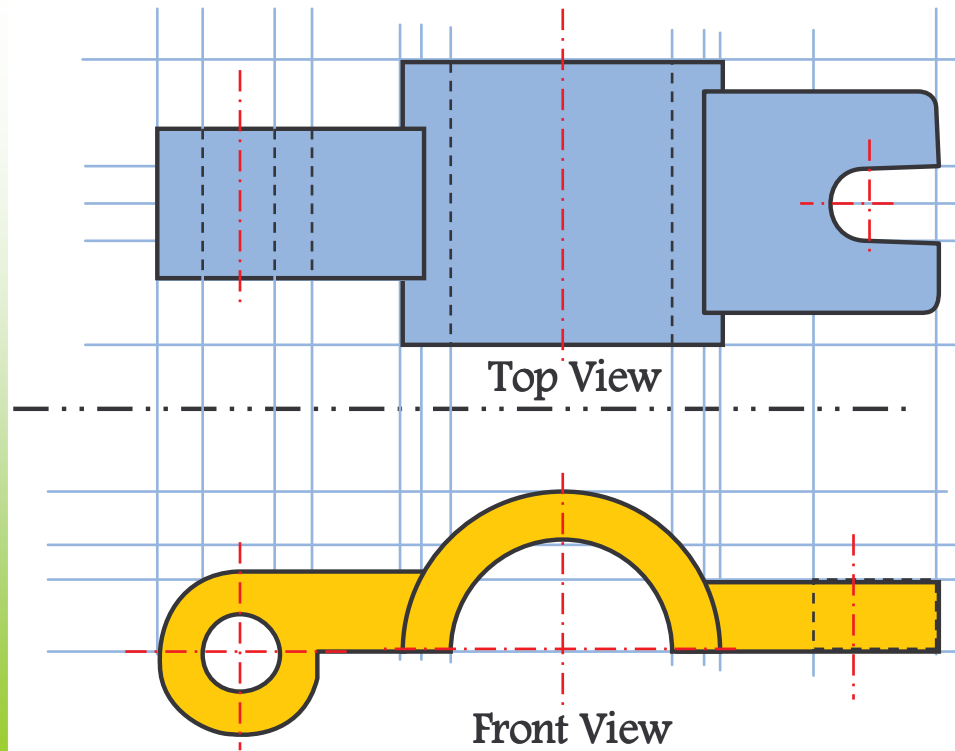
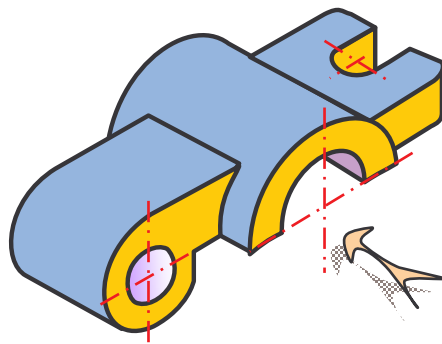
- Draw top and front orthographic views
 - Planar symmetric object
 - THIRD angle projection

7 marks

The semi-circular feature and the right side piece are flush at the bottom.



SOLUTION



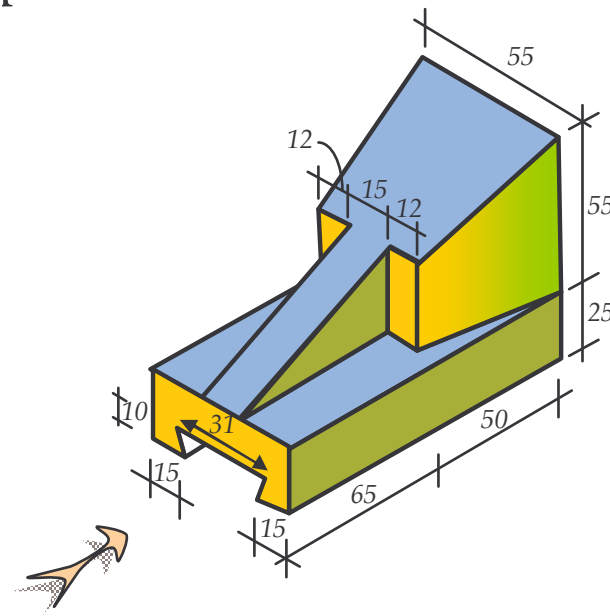


QUESTION 2

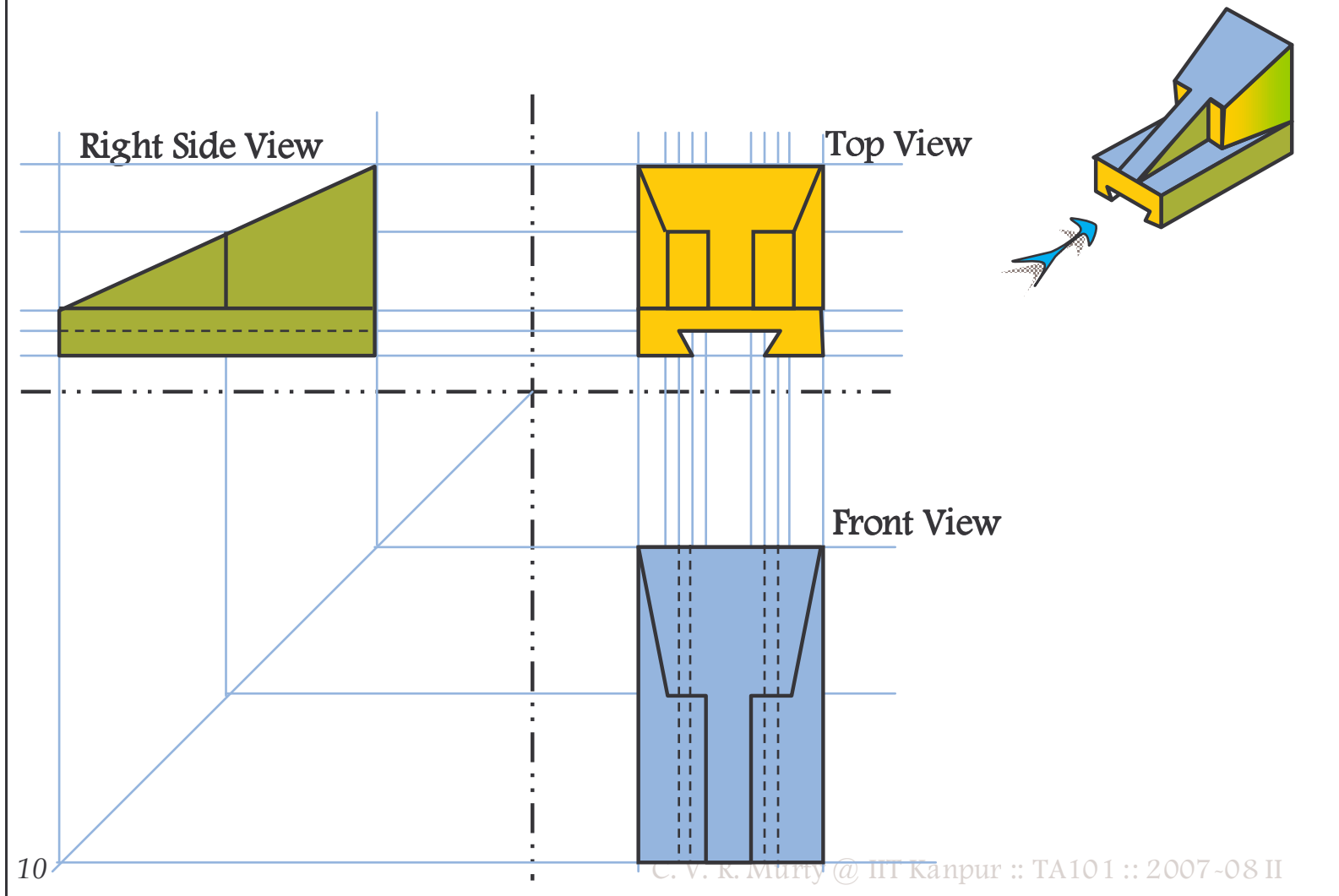
STATEMENT

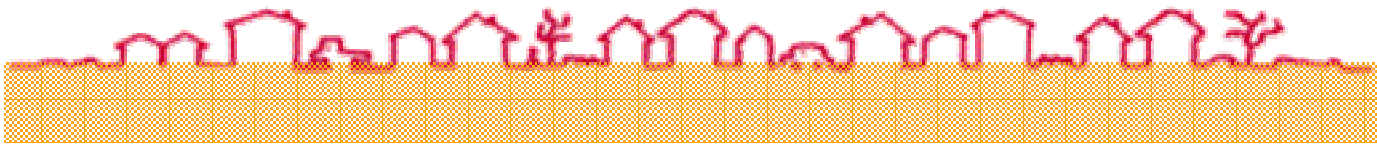
- Draw 3 significant orthographic views
 - Planar symmetric object
 - FIRST angle projection

8 marks



SOLUTION





All the best !!

