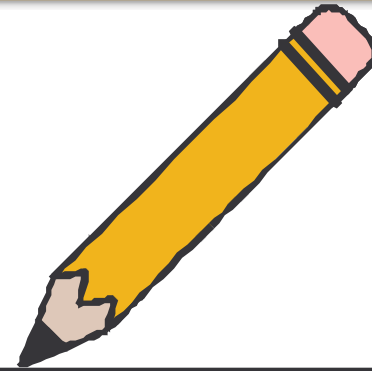


Lecture 6

ORTHOGRAPHIC
PROJECTIONS
:: EXAMPLES & CONVENTIONS



TA 101 : Engineering Graphics

2007-08 Semester II

January – May 2008

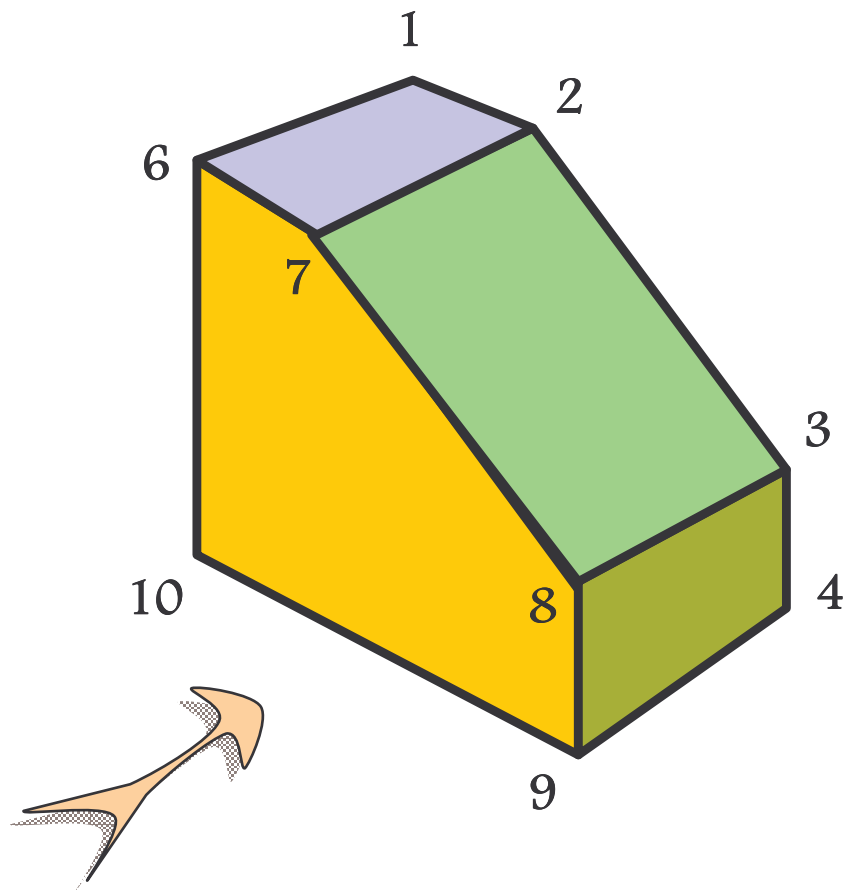
OUTLINE

- Examples
- Some Conventions on line styles

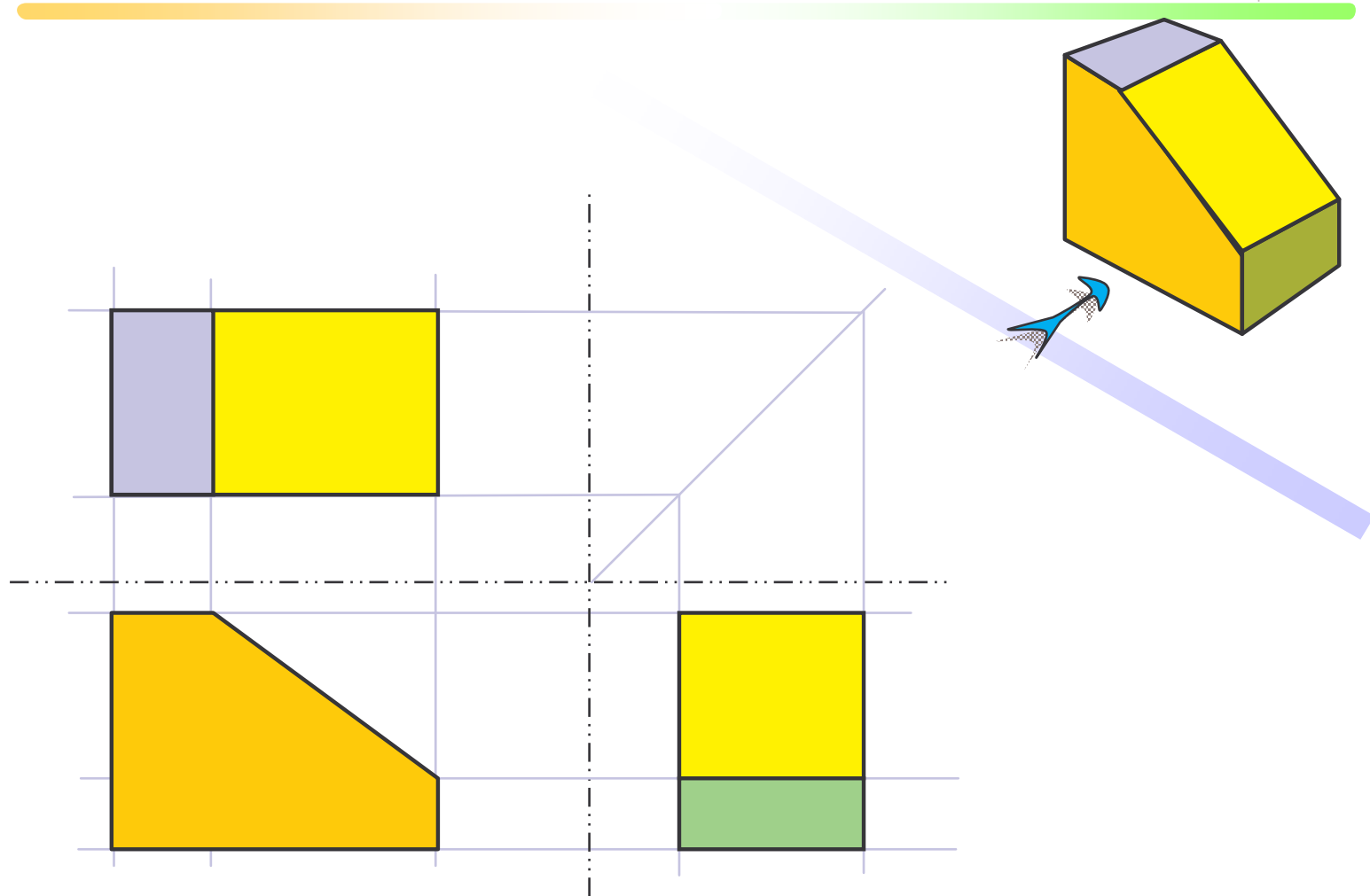


EXAMPLES

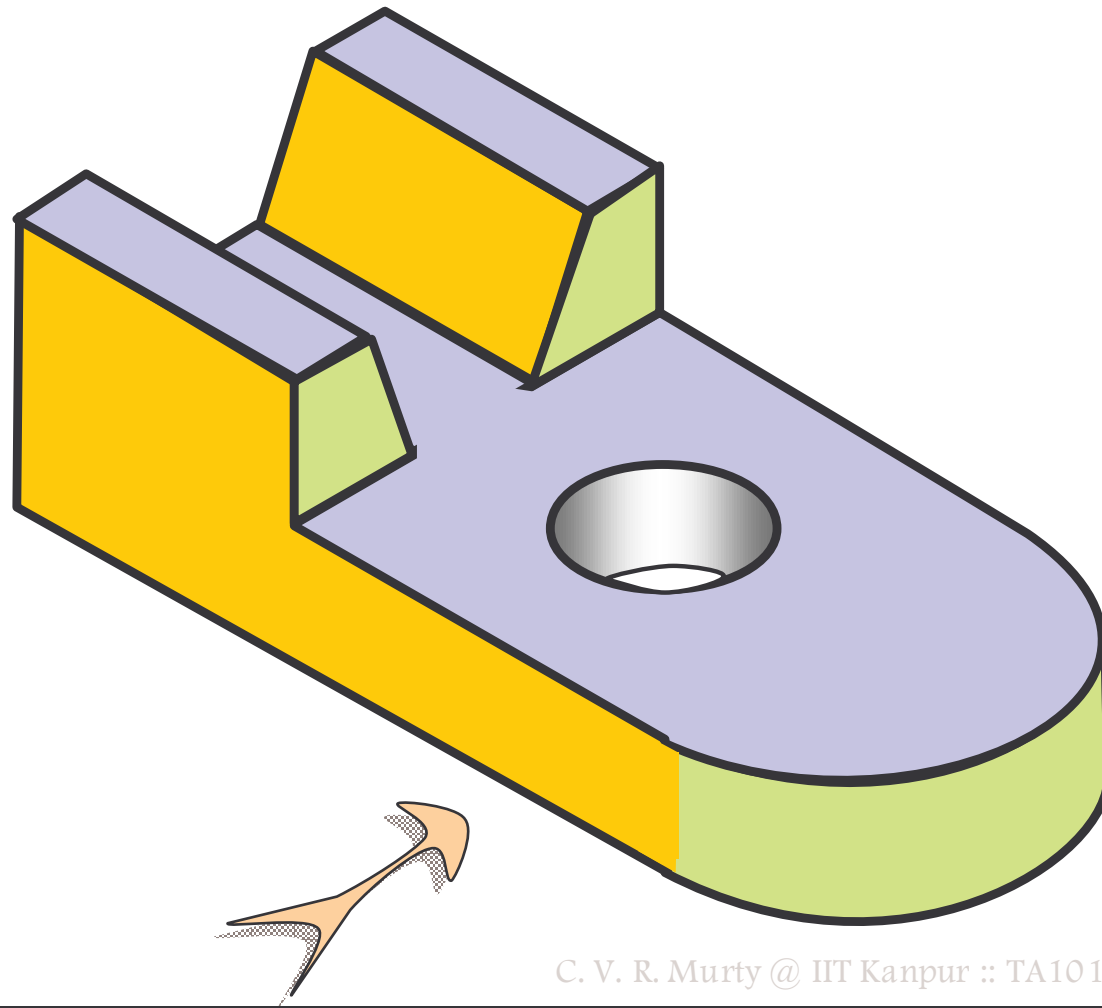
EXAMPLE 1



EXAMPLE 1



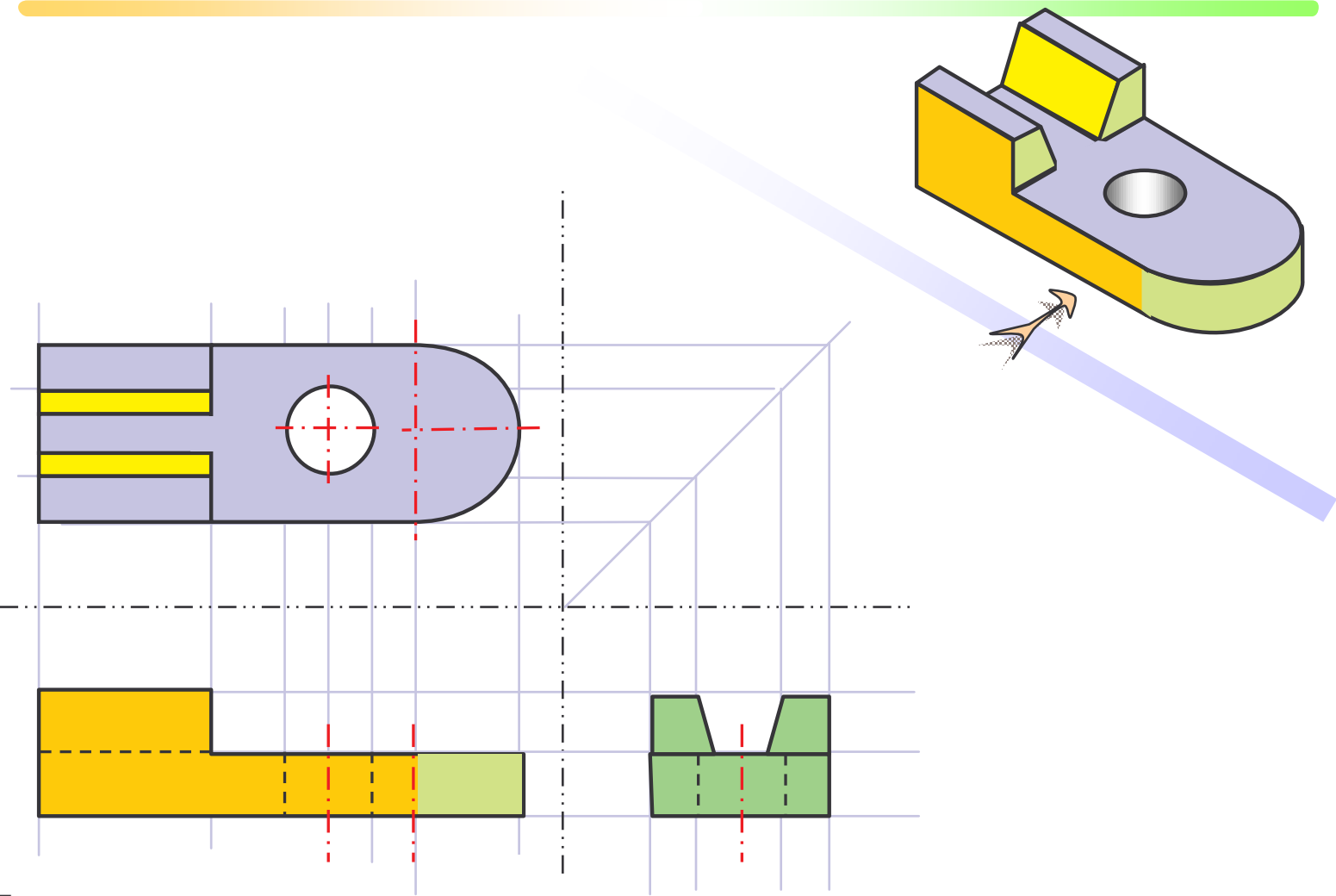
EXAMPLE 2



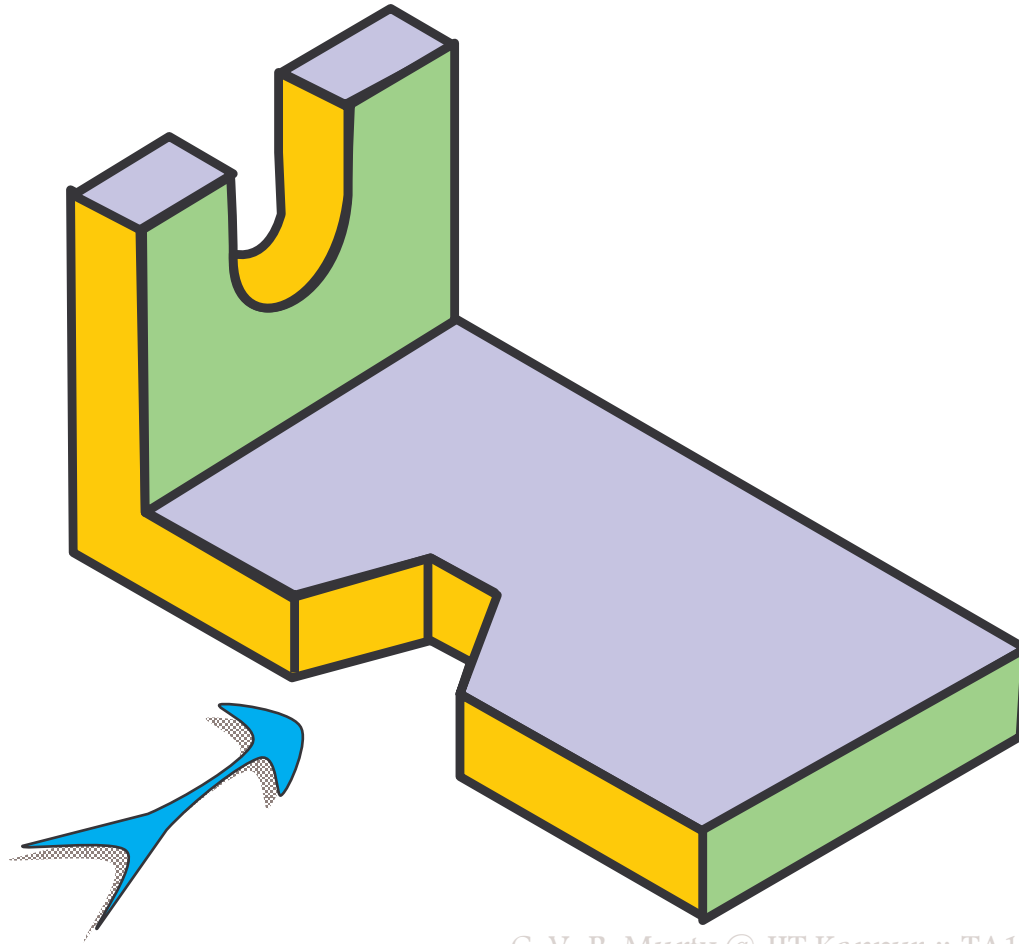
6

C. V. R. Murty @ IIT Kanpur :: TA101 :: 2007-08 II

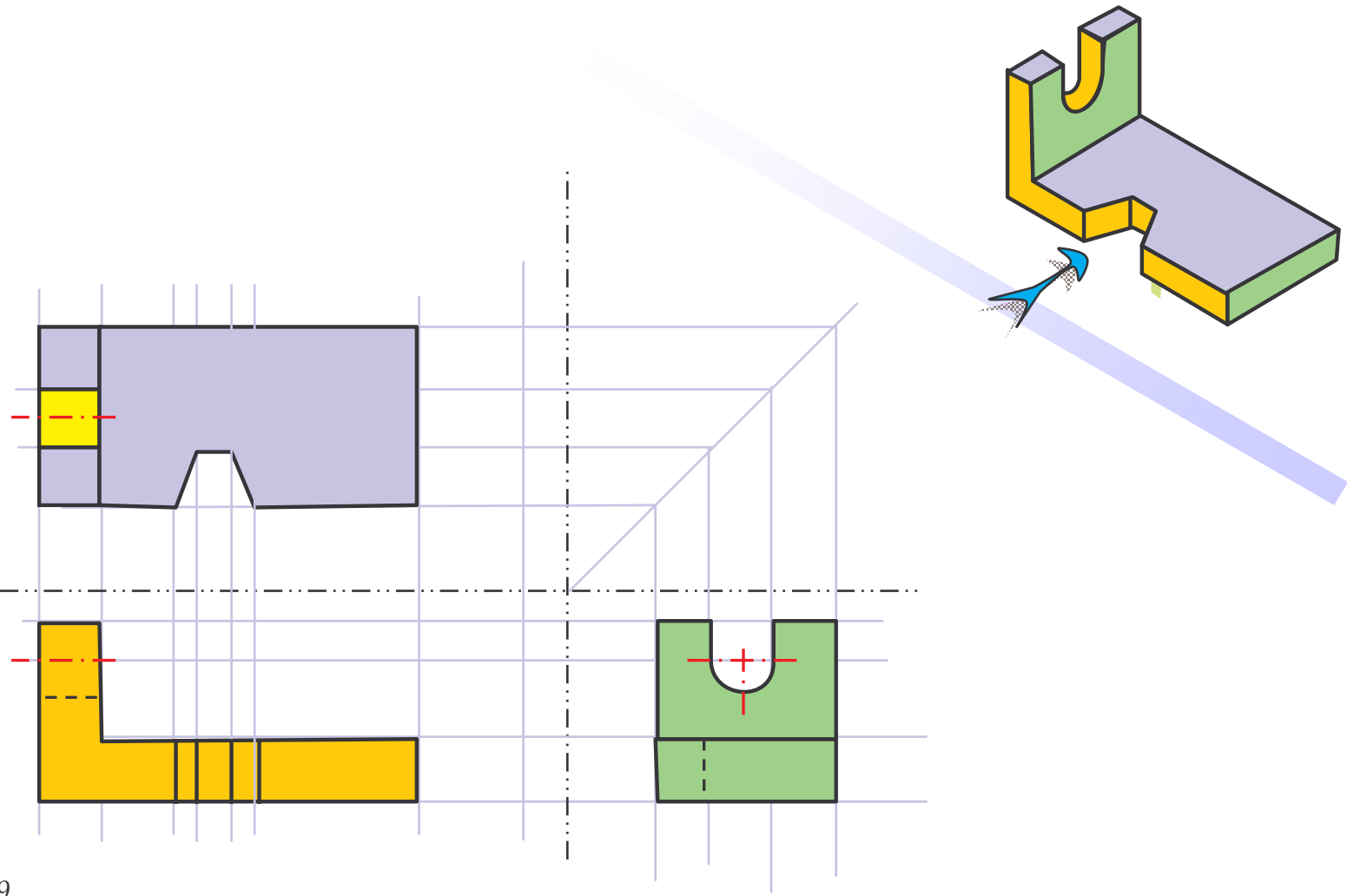
EXAMPLE 2



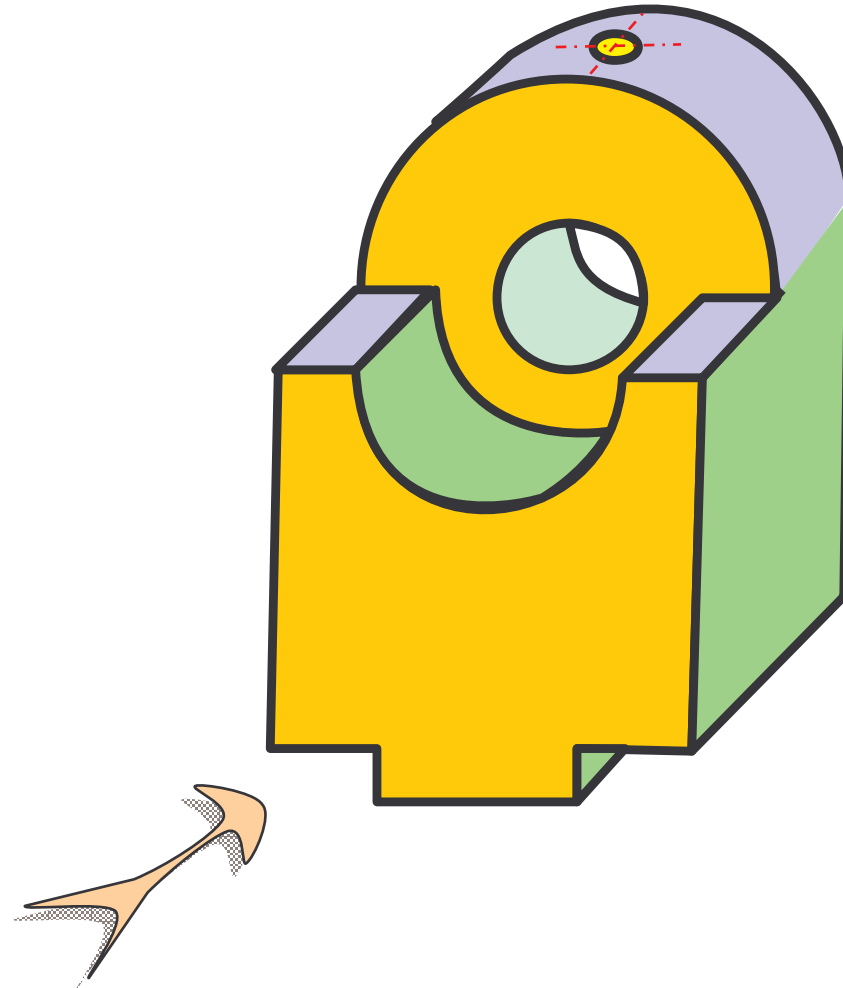
EXAMPLE 3



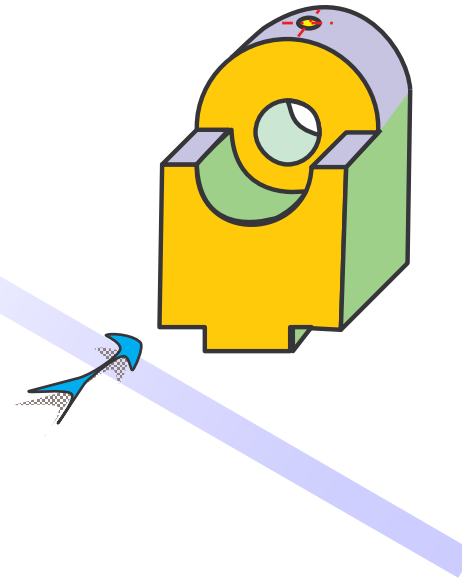
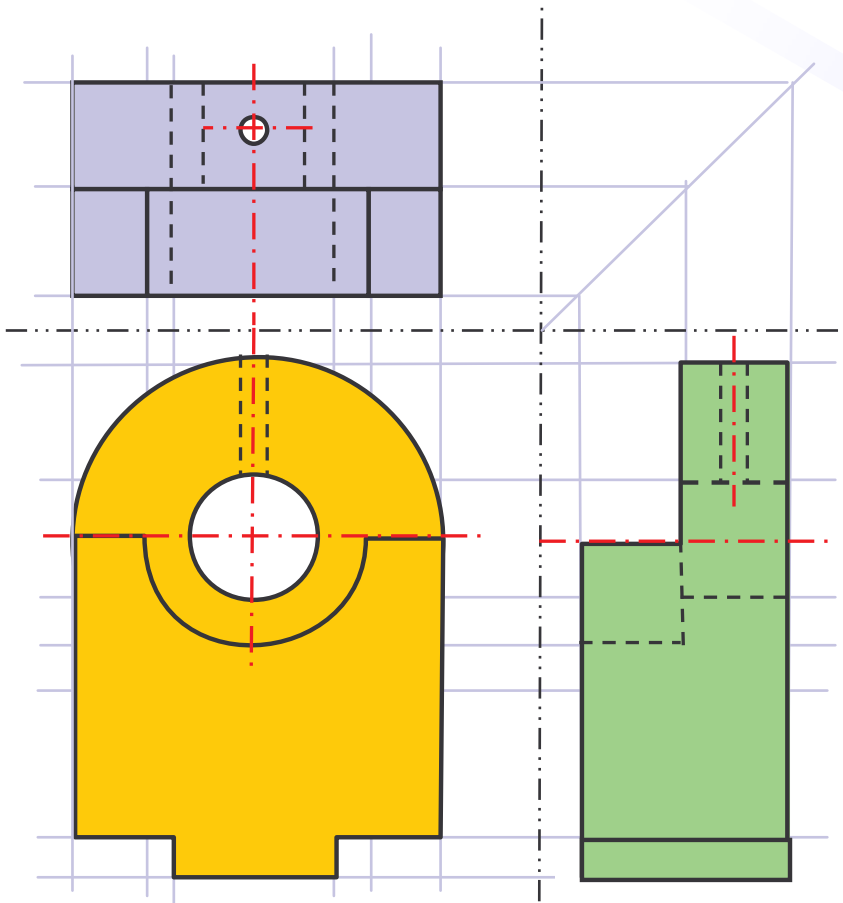
EXAMPLE 3



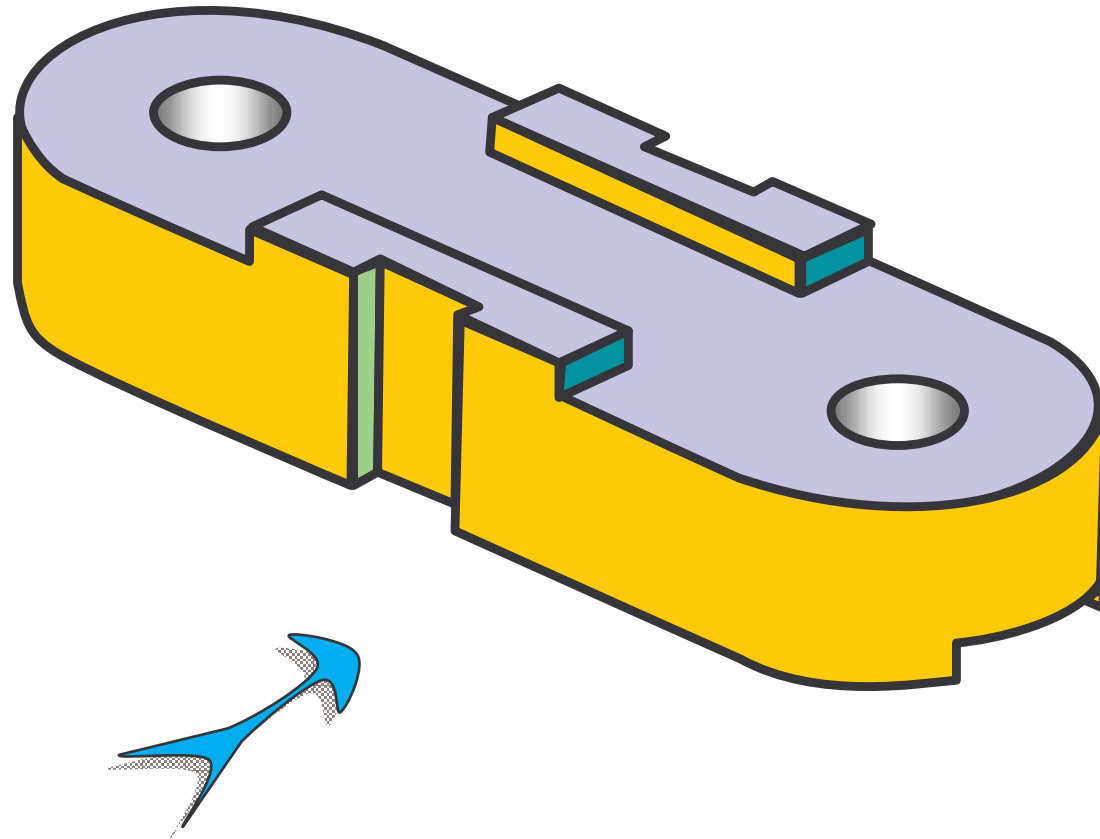
EXAMPLE 4



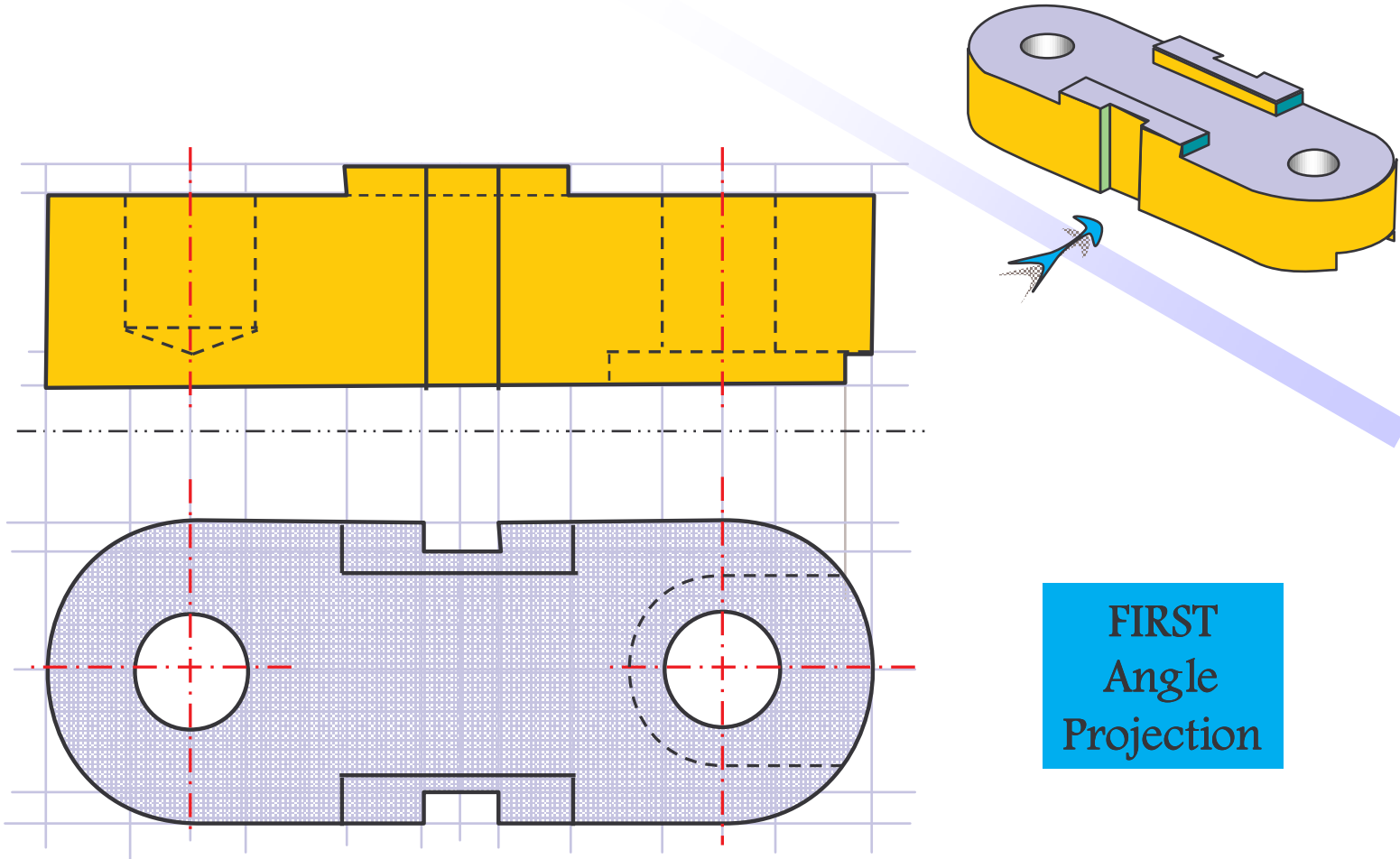
EXAMPLE 4



EXAMPLE 5

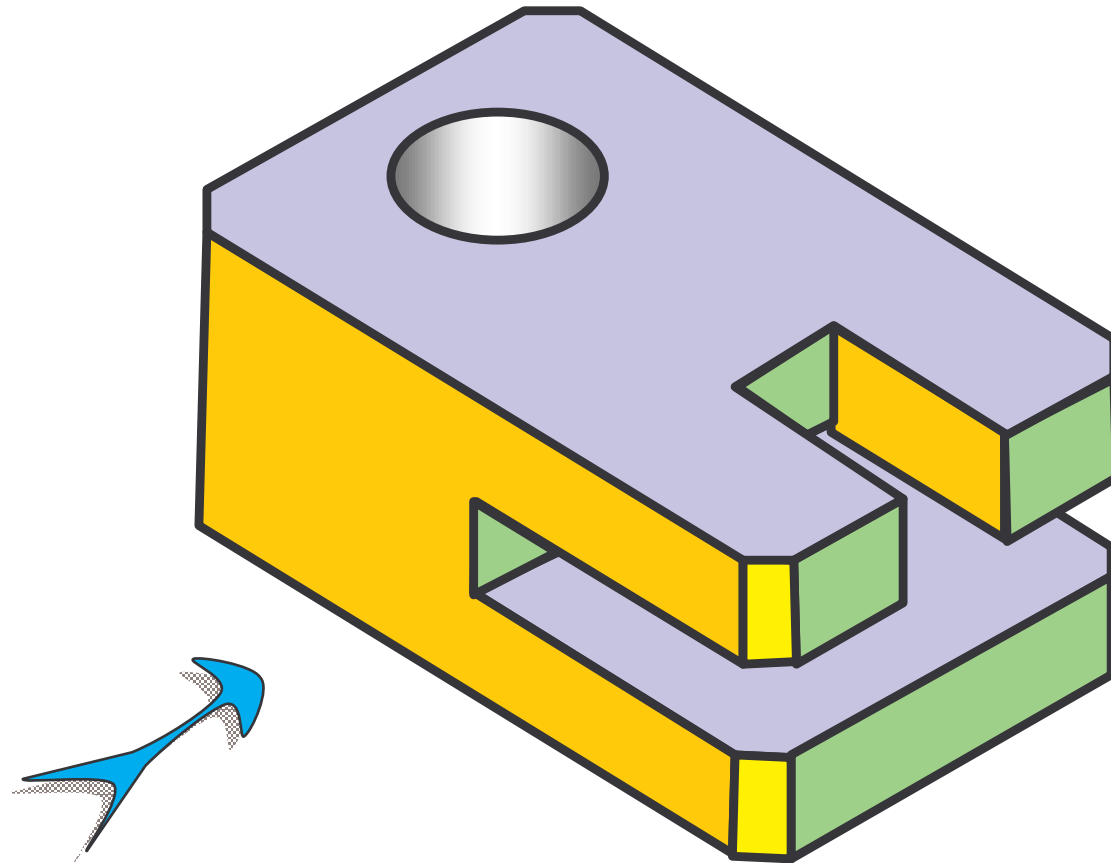


EXAMPLE 5

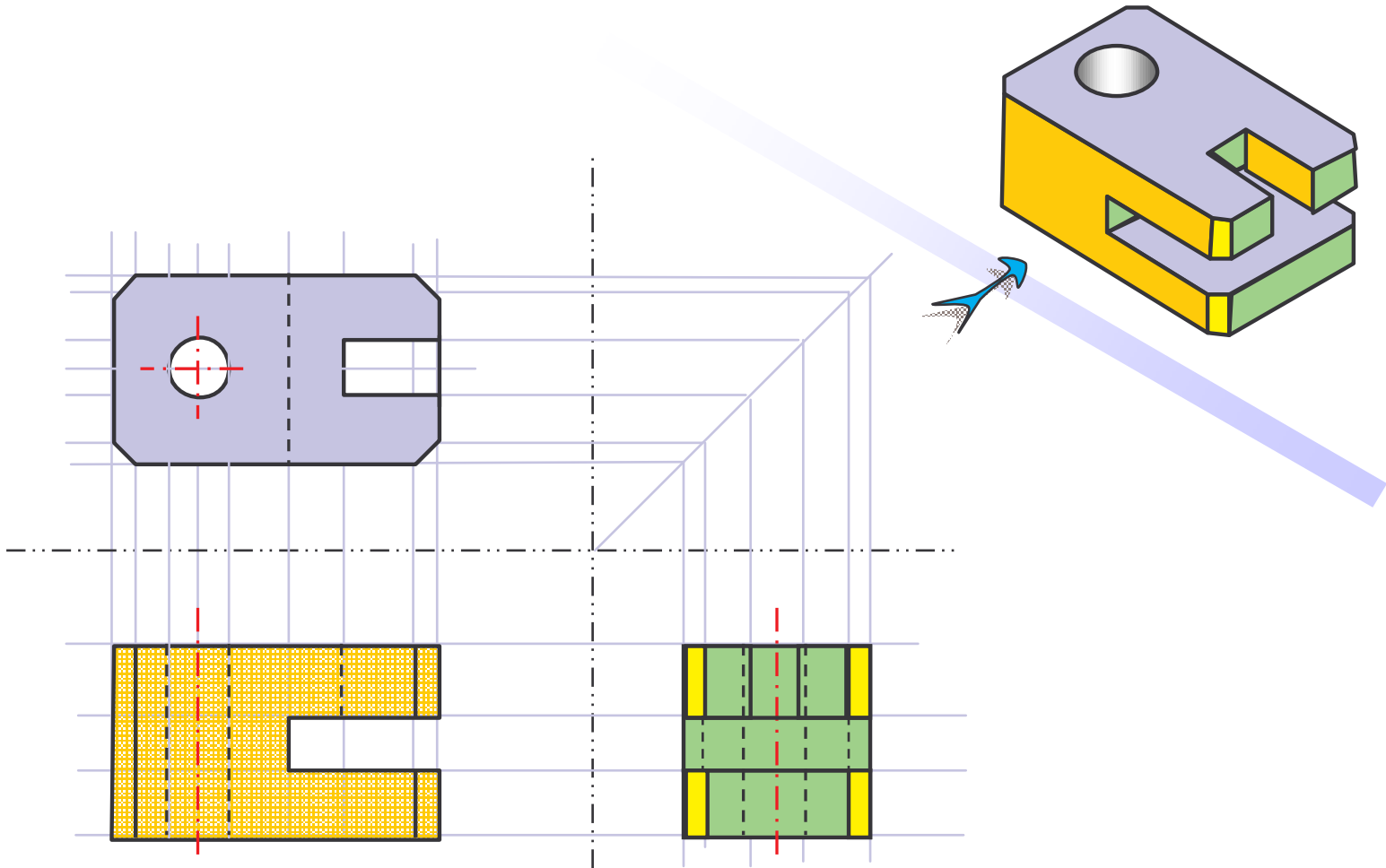


FIRST
Angle
Projection

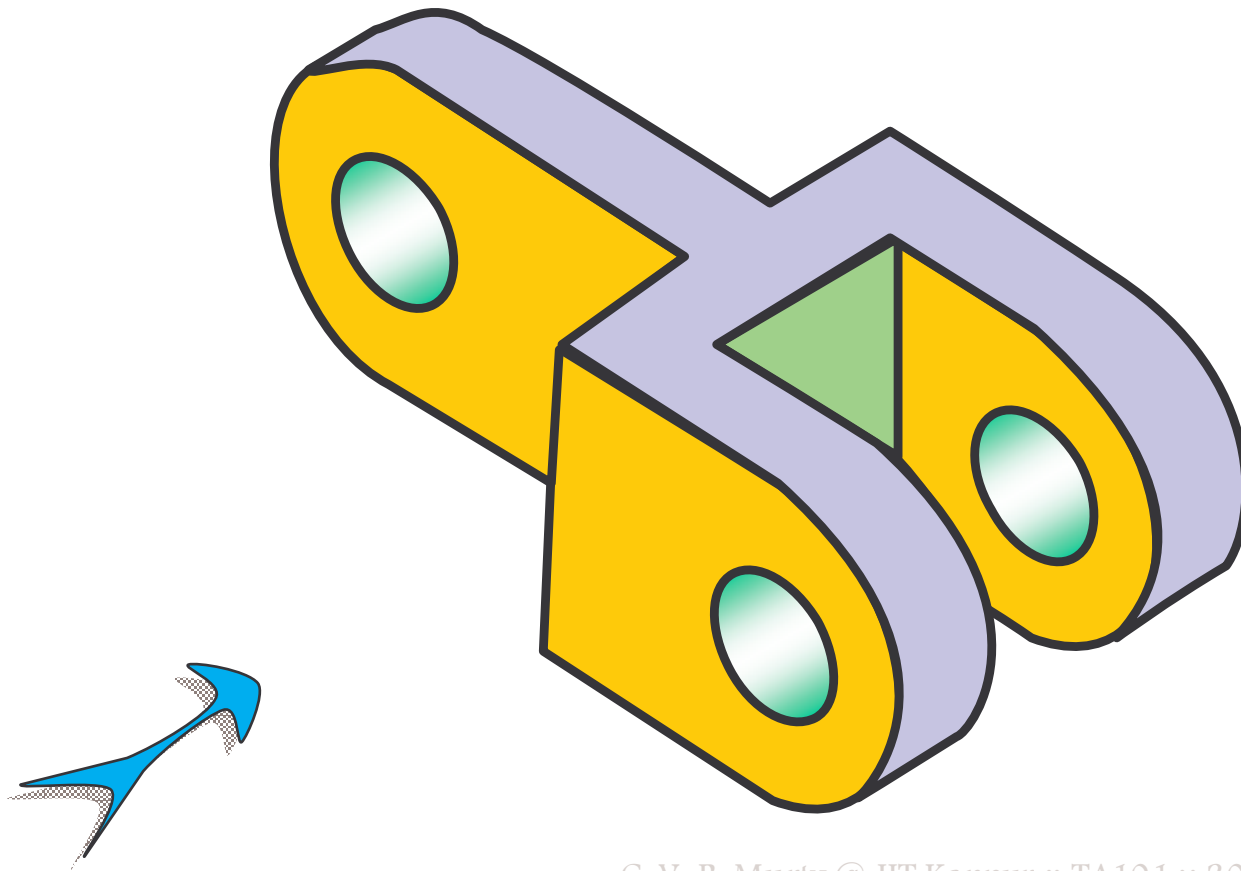
EXAMPLE 6



EXAMPLE 7



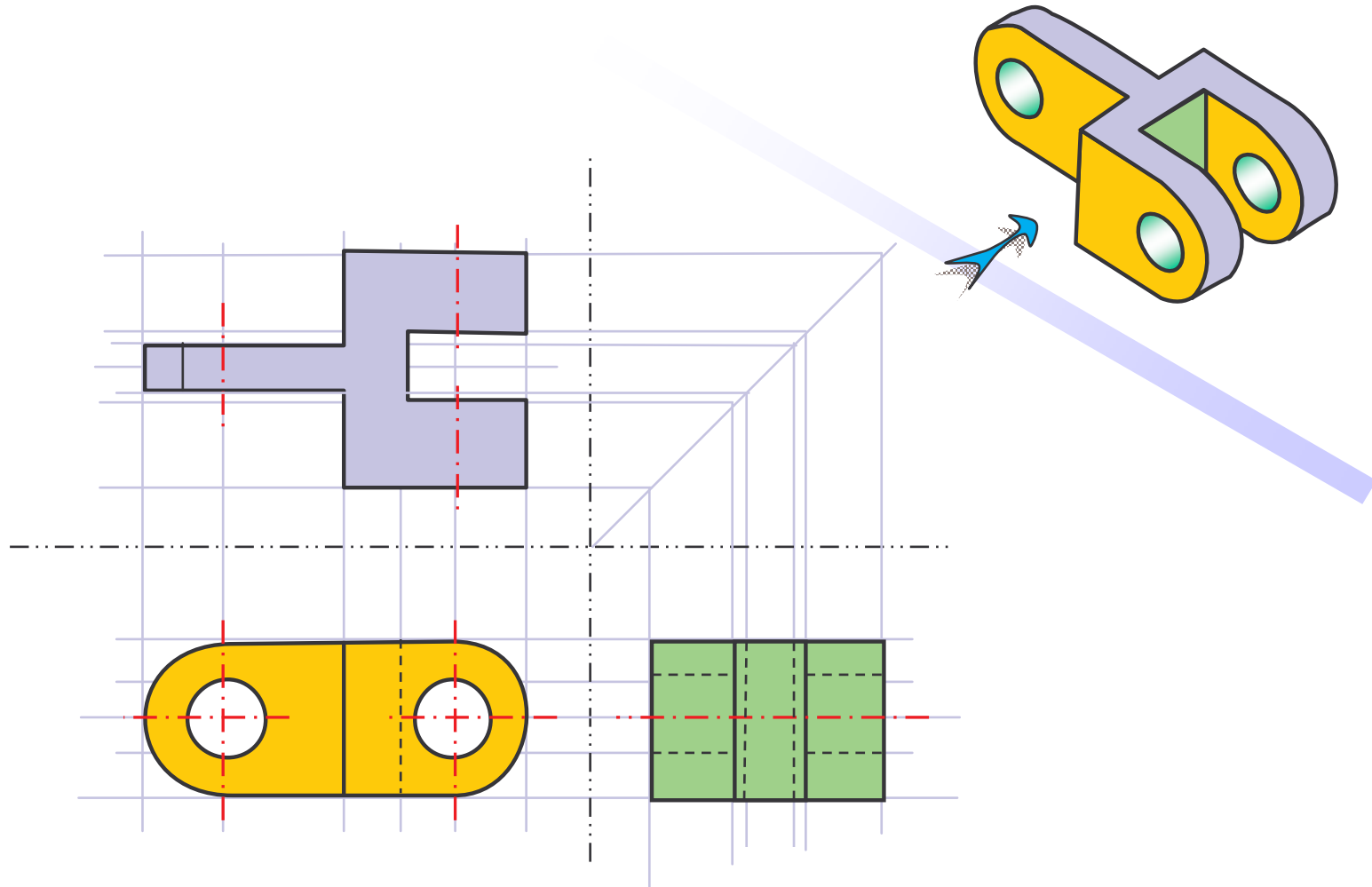
EXAMPLE 7

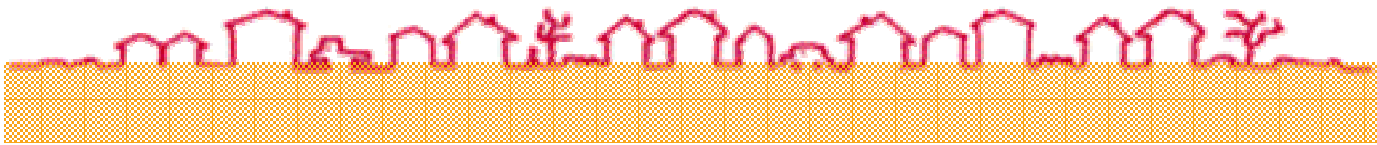


16

C. V. R. Murty @ IIT Kanpur :: TA101 :: 2007-08 II

EXAMPLE 6





Have a Great Day!!

