

Lecture 7

ORTHOGRAPHIC
PROJECTIONS
:: CONVENTIONS & EXAMPLES



TA 101 : Engineering Graphics

2007-08 Semester II

January – May 2008

OUTLINE

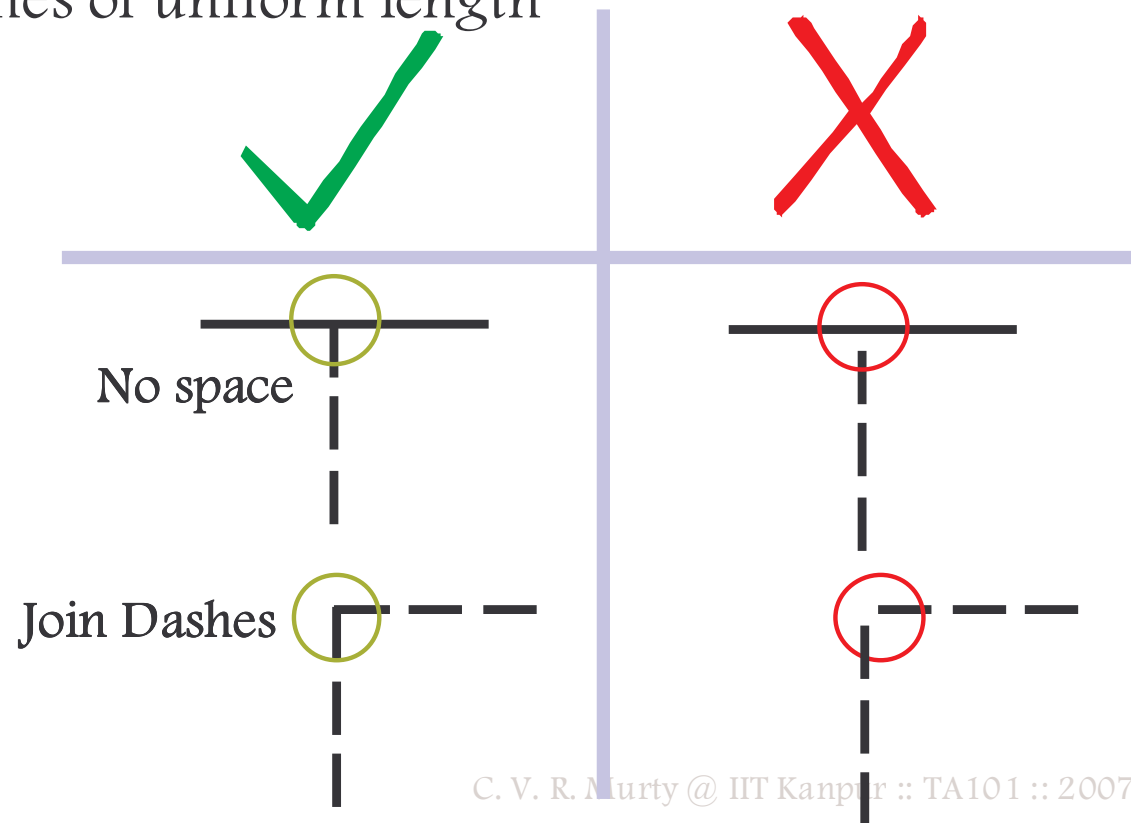
- Some Conventions on line styles
- Examples



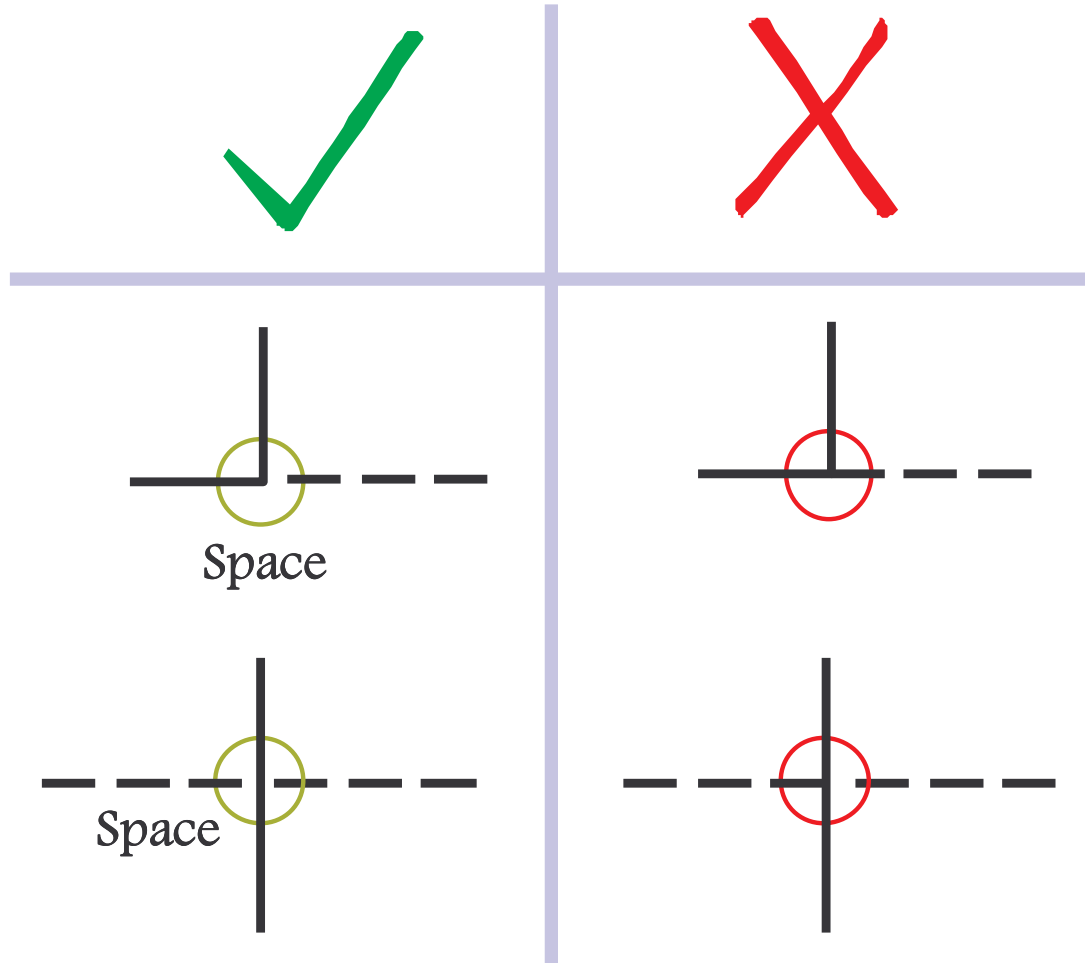
CONVENTIONS

HIDDEN LINES

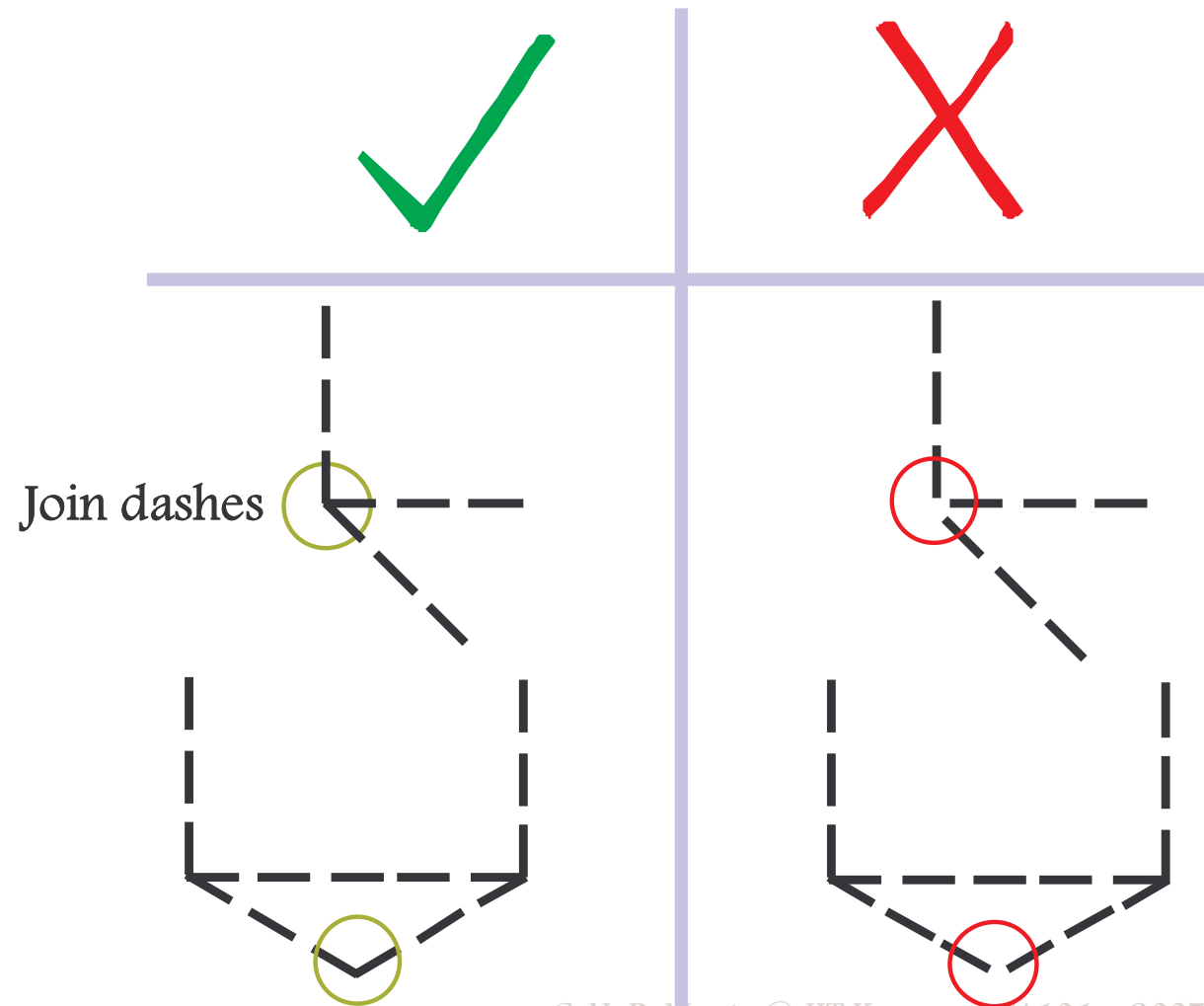
- Dashed
 - Lighter than full lines
 - Dashes of uniform length



HIDDEN LINES



HIDDEN LINES



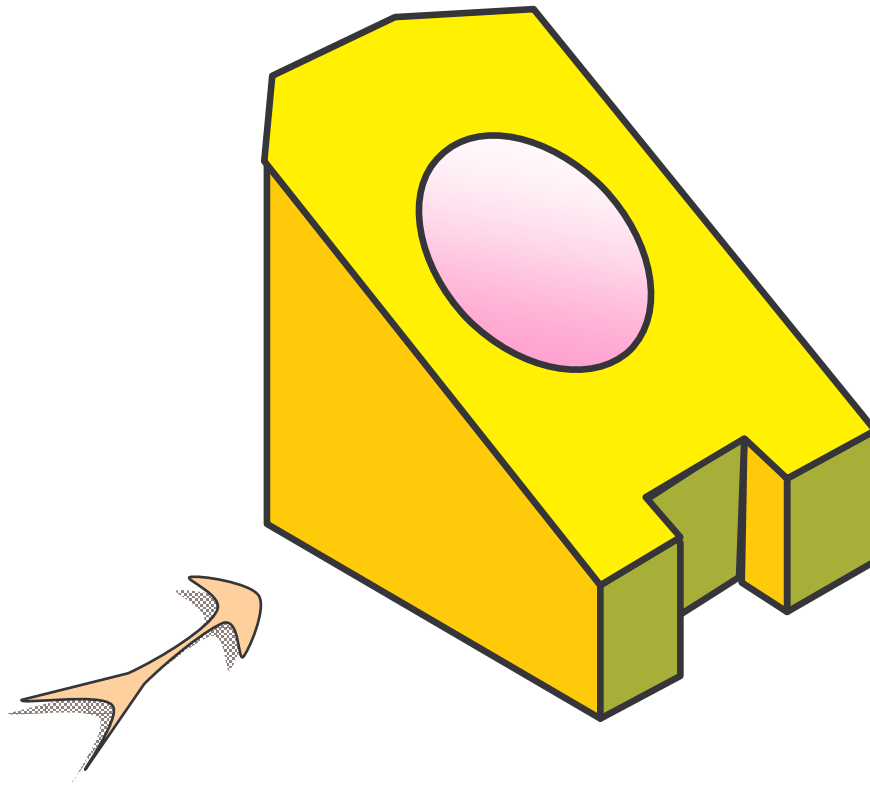
HIDDEN LINES



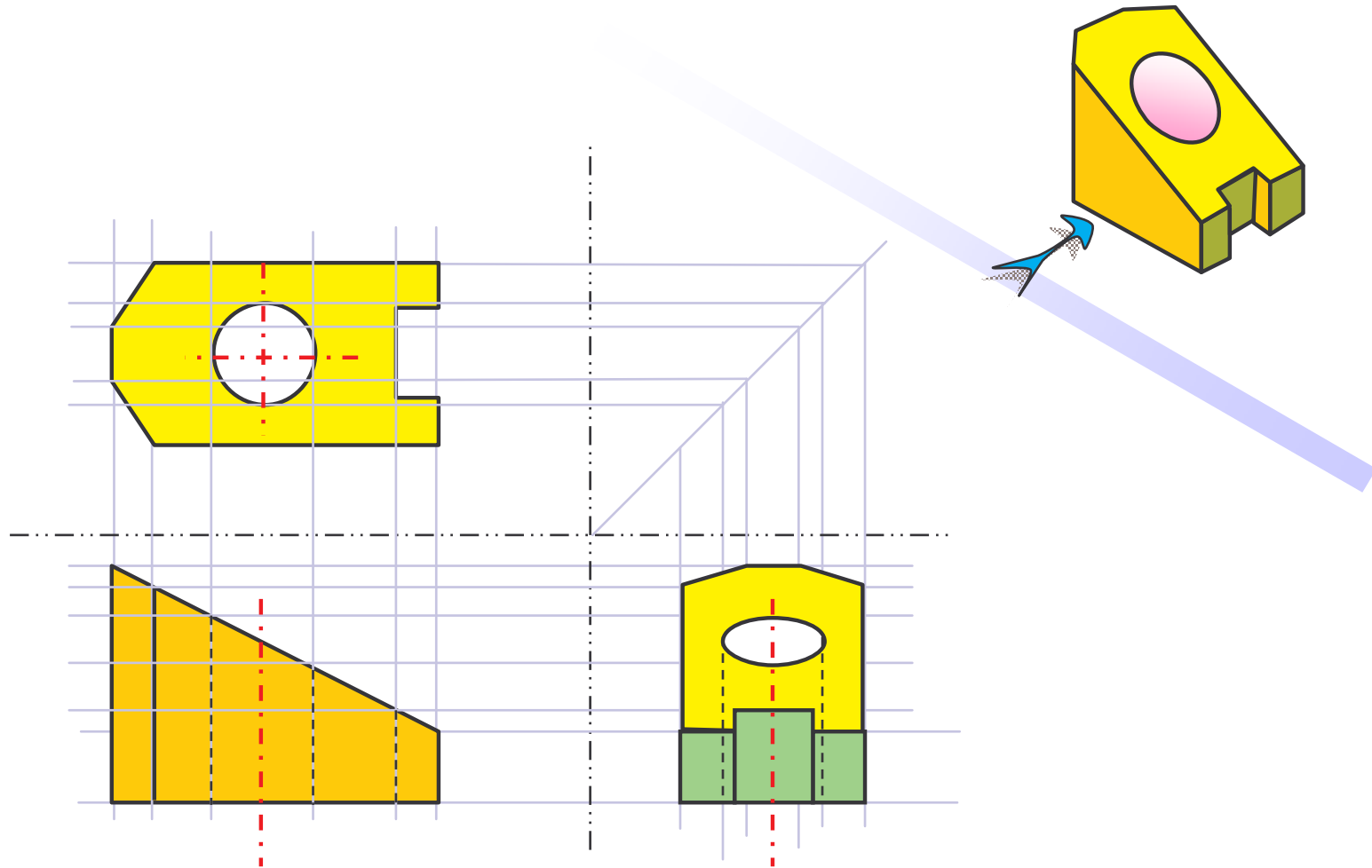


EXAMPLES

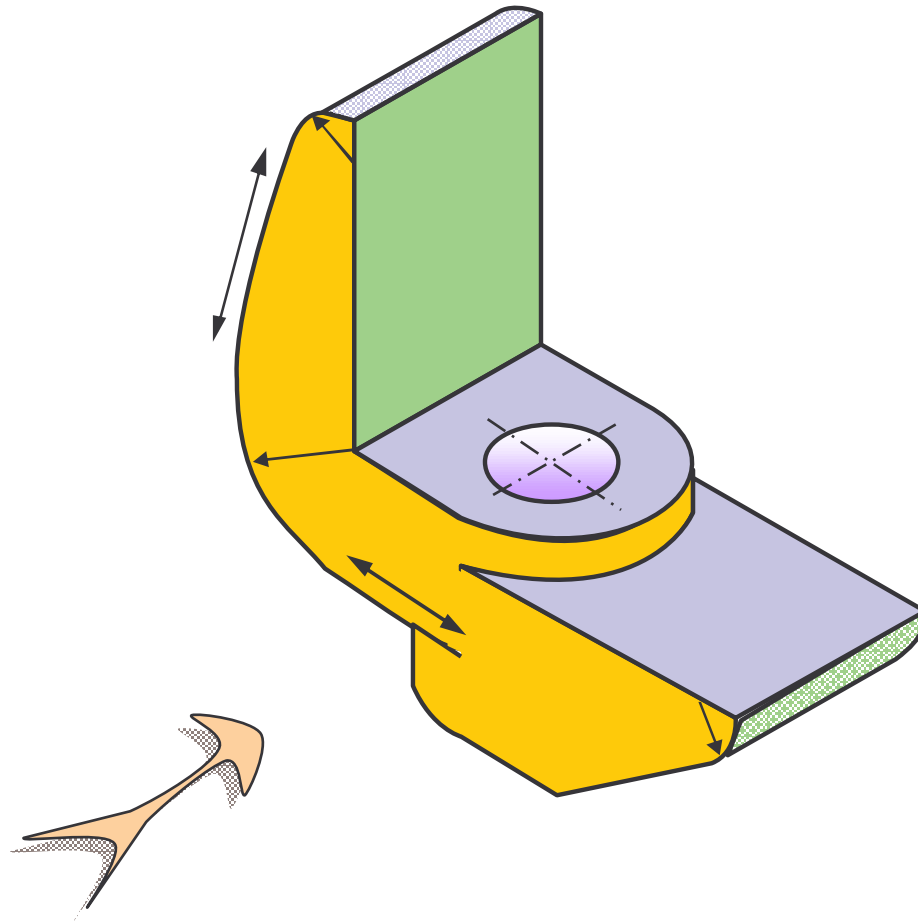
EXAMPLE 1



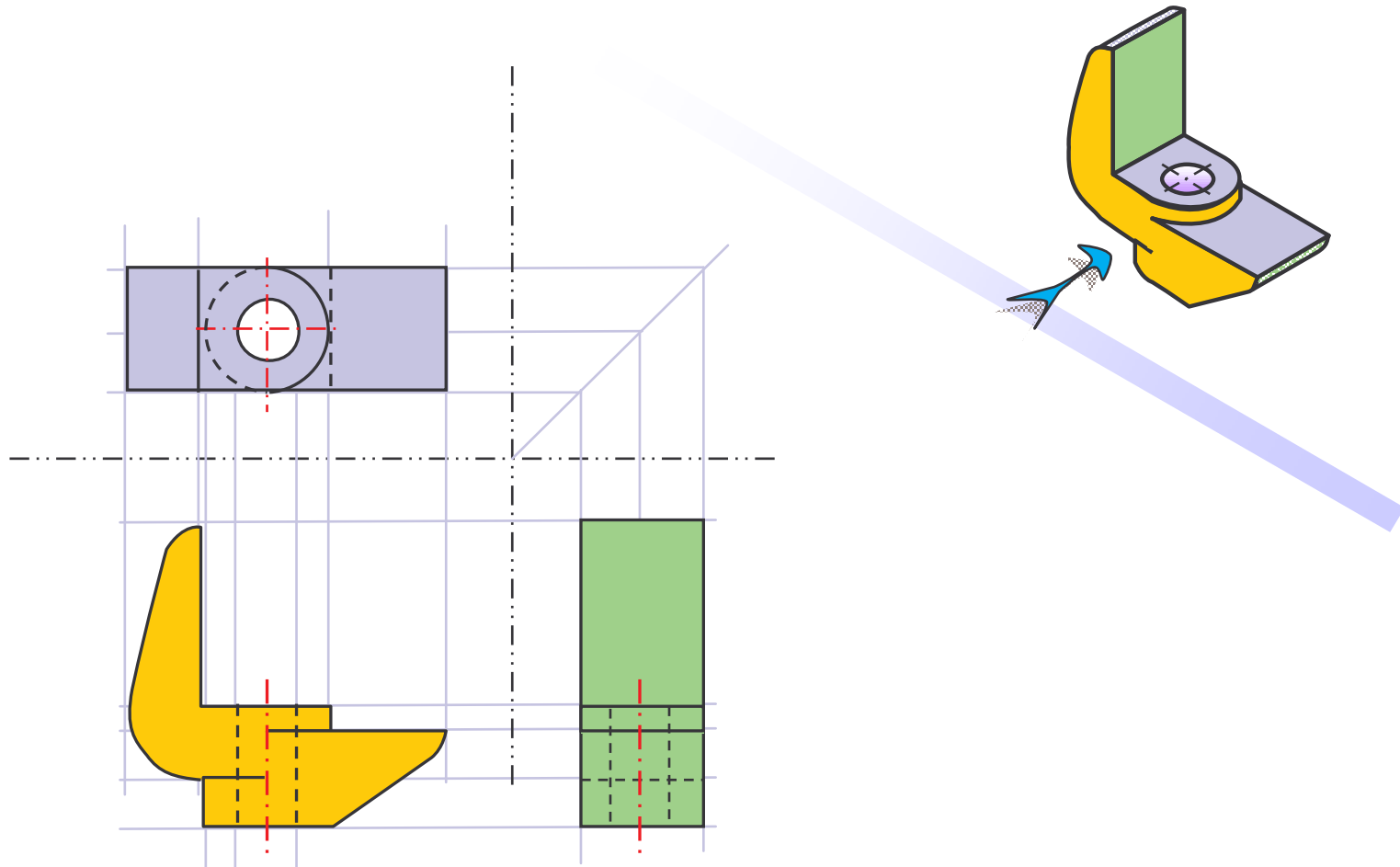
EXAMPLE 1

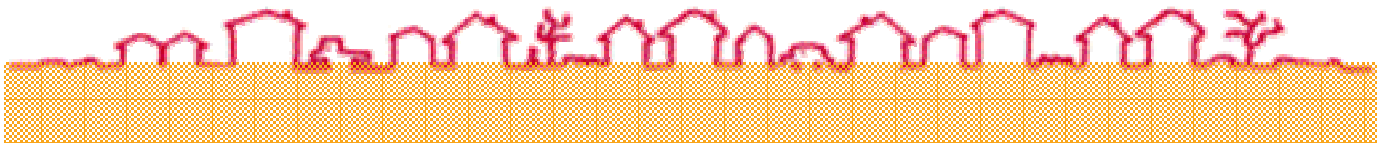


EXAMPLE 2



EXAMPLE 2





Have a Great Day!!