

Lecture 9

ORTHOGRAPHIC  
PROJECTIONS  
:: SECTIONING



TA 101 : Engineering Graphics

2007-08 Semester II

January – May 2008

# OUTLINE

- Why sectioning should be done
  - Some Conventions on line styles
- Examples



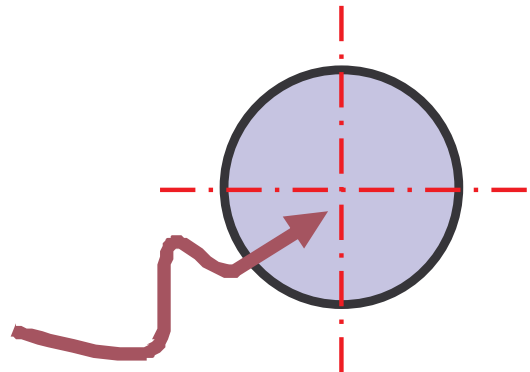
# SECTIONING

# LINE STYLES CONVENTIONS

- Centerline

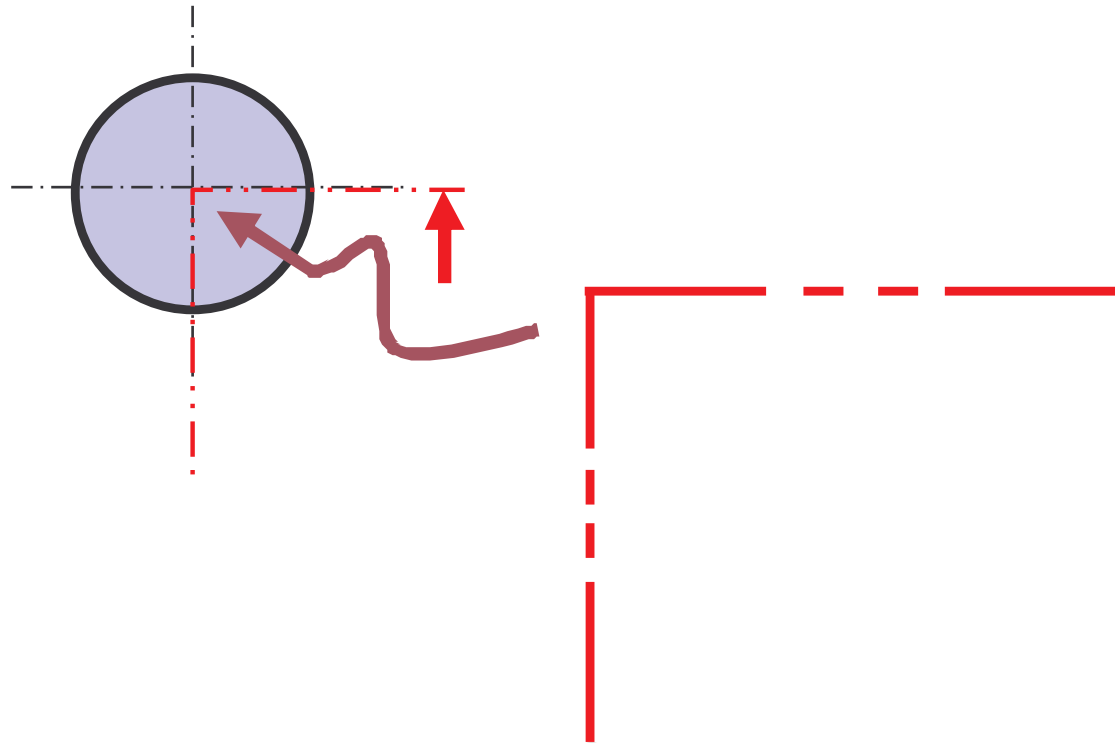


– Crossing of centerlines



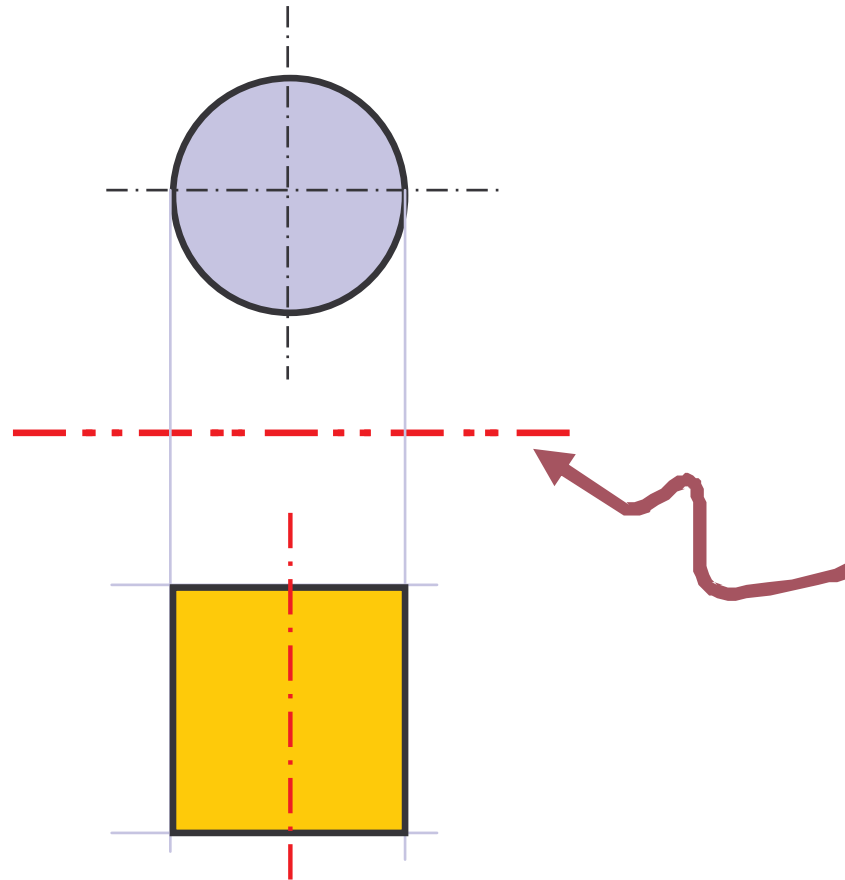
# LINE STYLES CONVENTIONS

- Sectioning lines



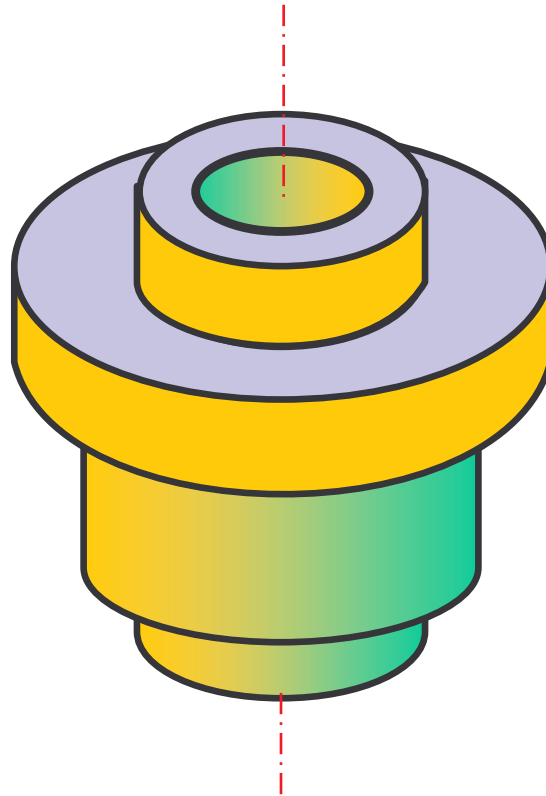
# LINE STYLES CONVENTIONS

- Principal planes



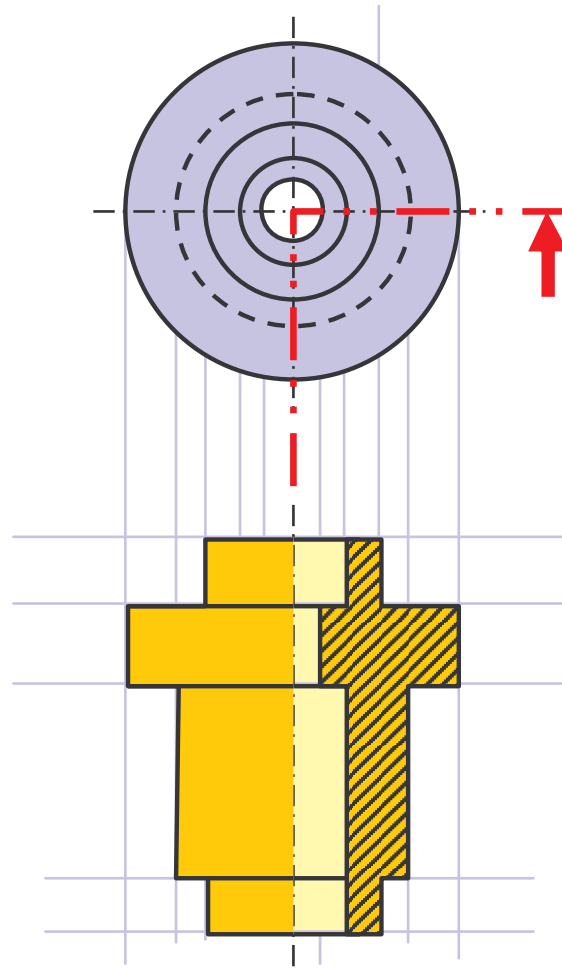
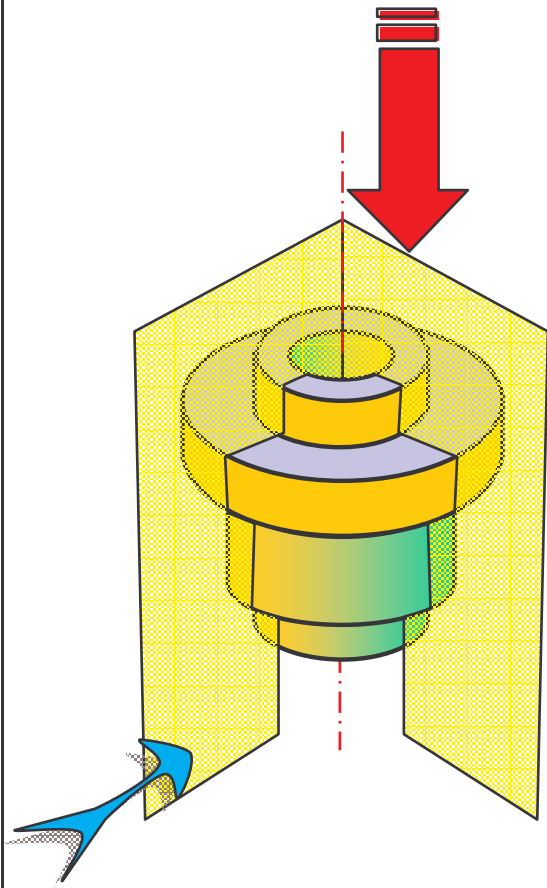
## OTHER CONVENTIONS

- Half sectioning



# OTHER CONVENTIONS

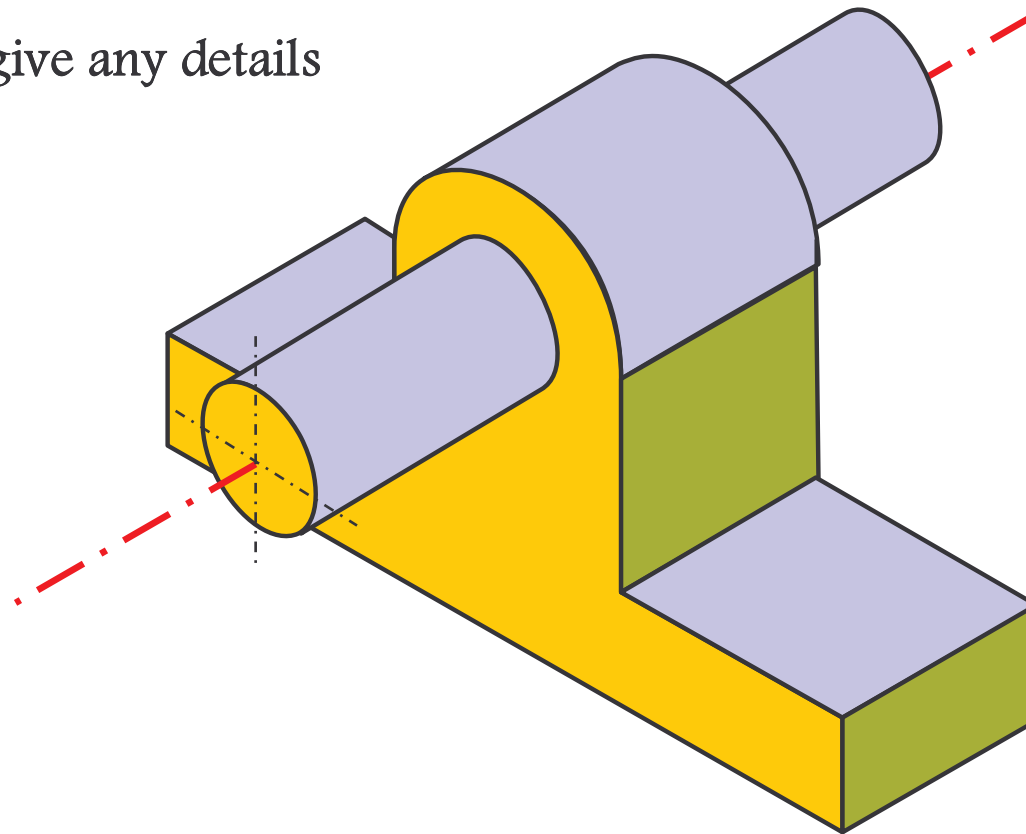
- Half sectioning...





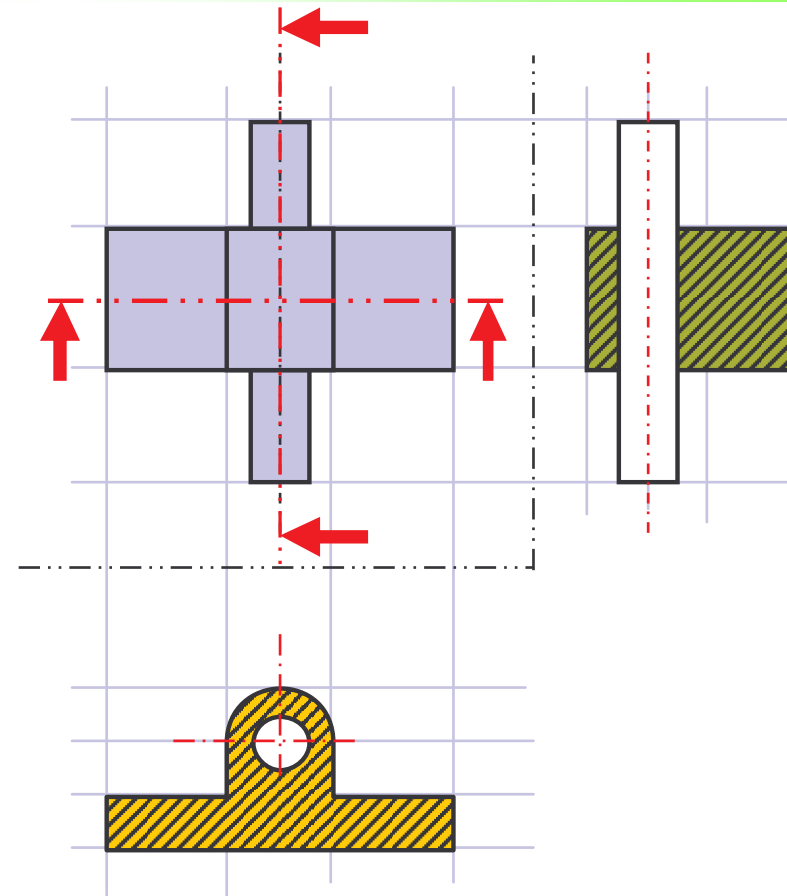
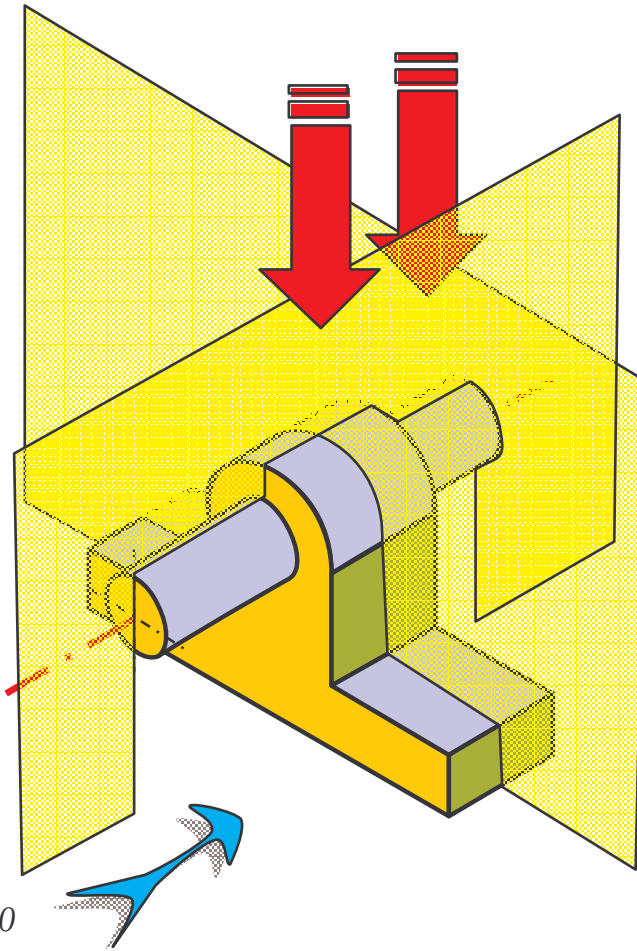
## OTHER CONVENTIONS

- No sectioning
  - Shafts
    - Does not give any details



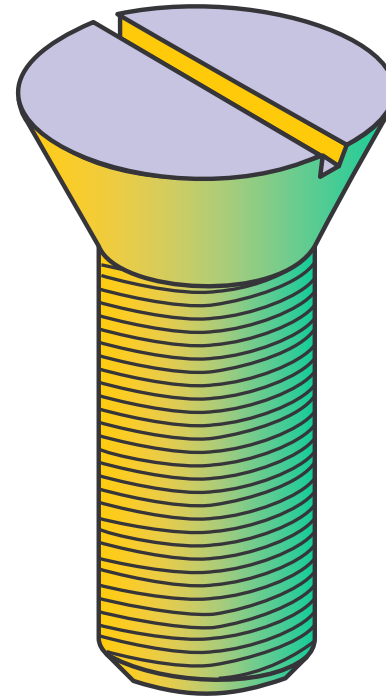
# OTHER CONVENTIONS

- No sectioning...



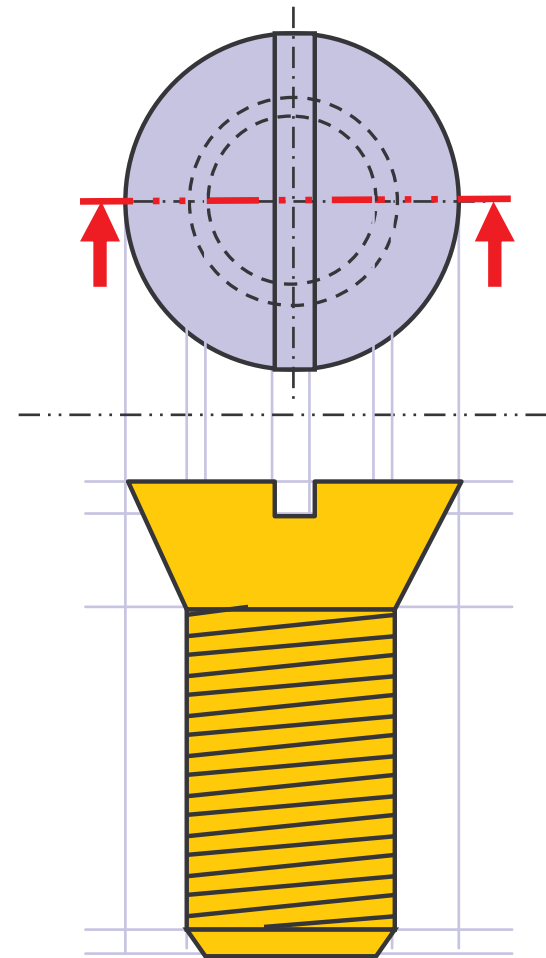
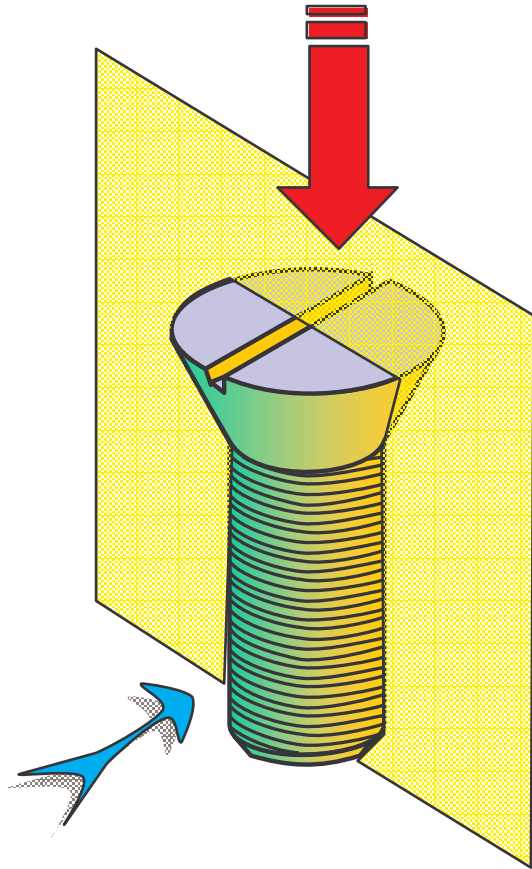
## OTHER CONVENTIONS

- No sectioning
  - Screws
    - Does not give any details



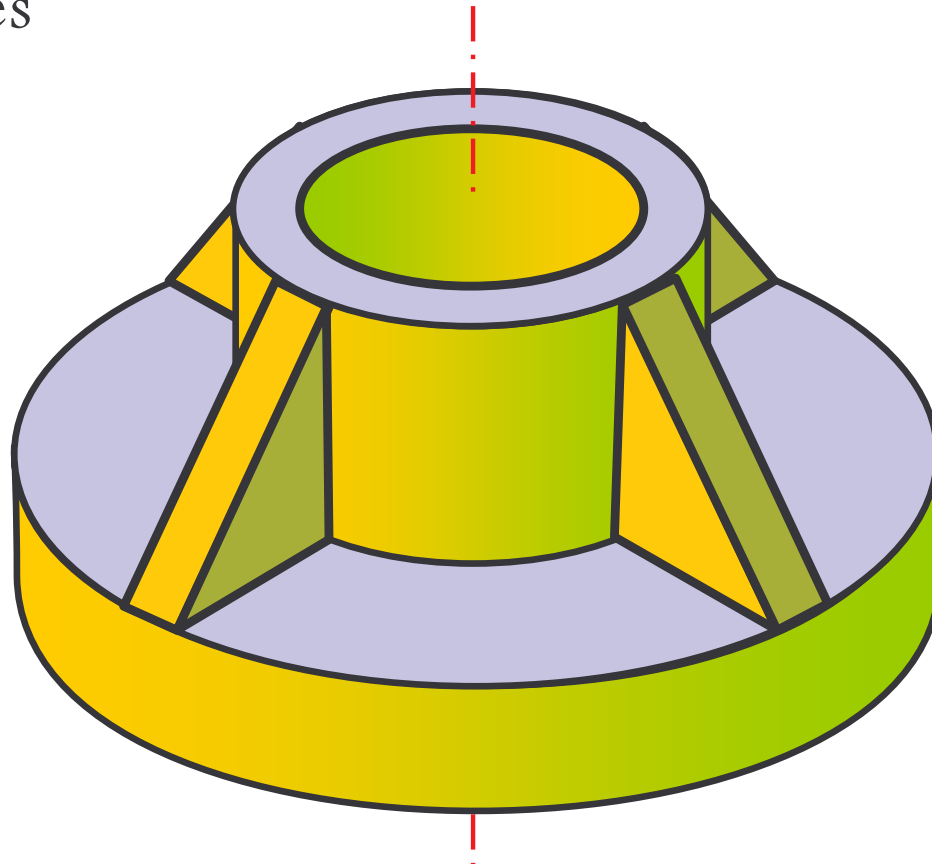
# OTHER CONVENTIONS

- No sectioning...



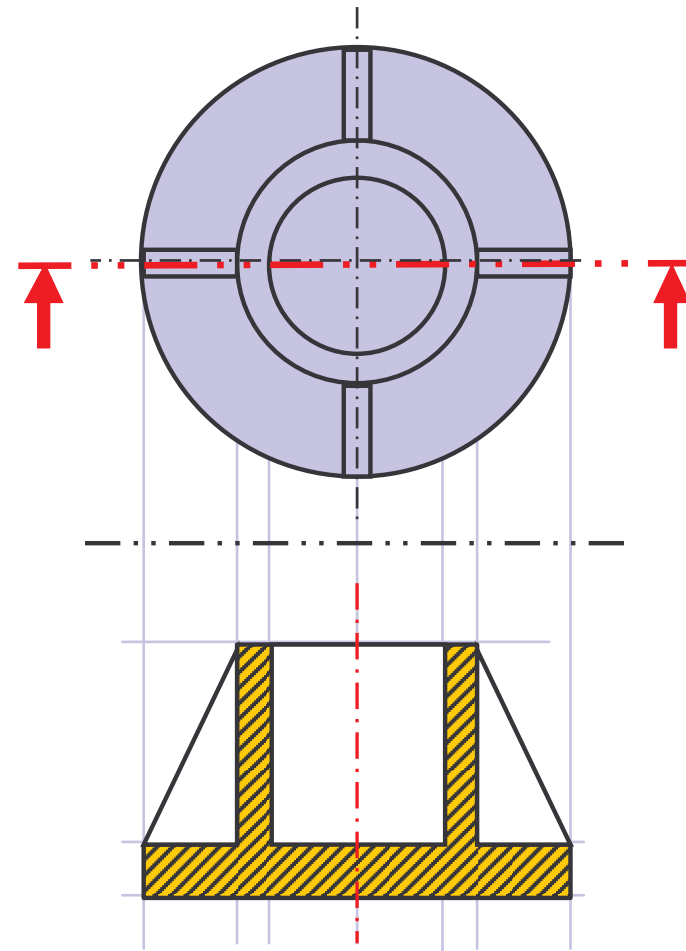
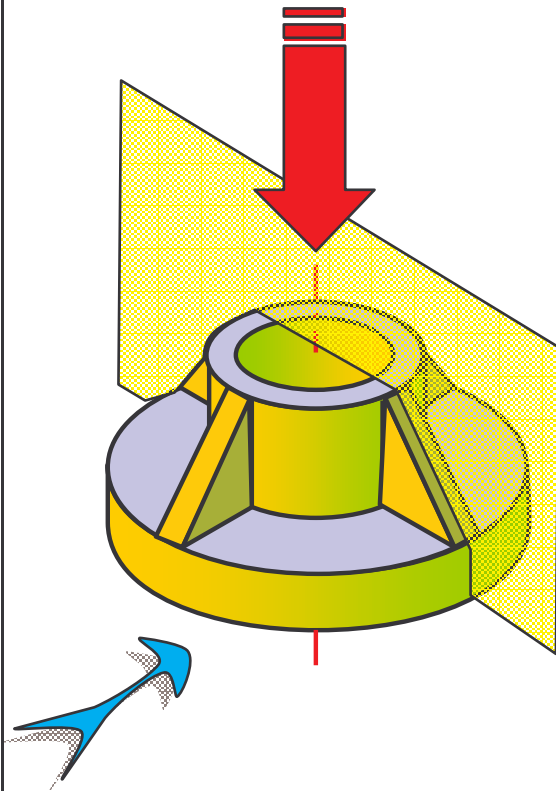
## OTHER CONVENTIONS

- No sectioning
  - Ribs and spokes



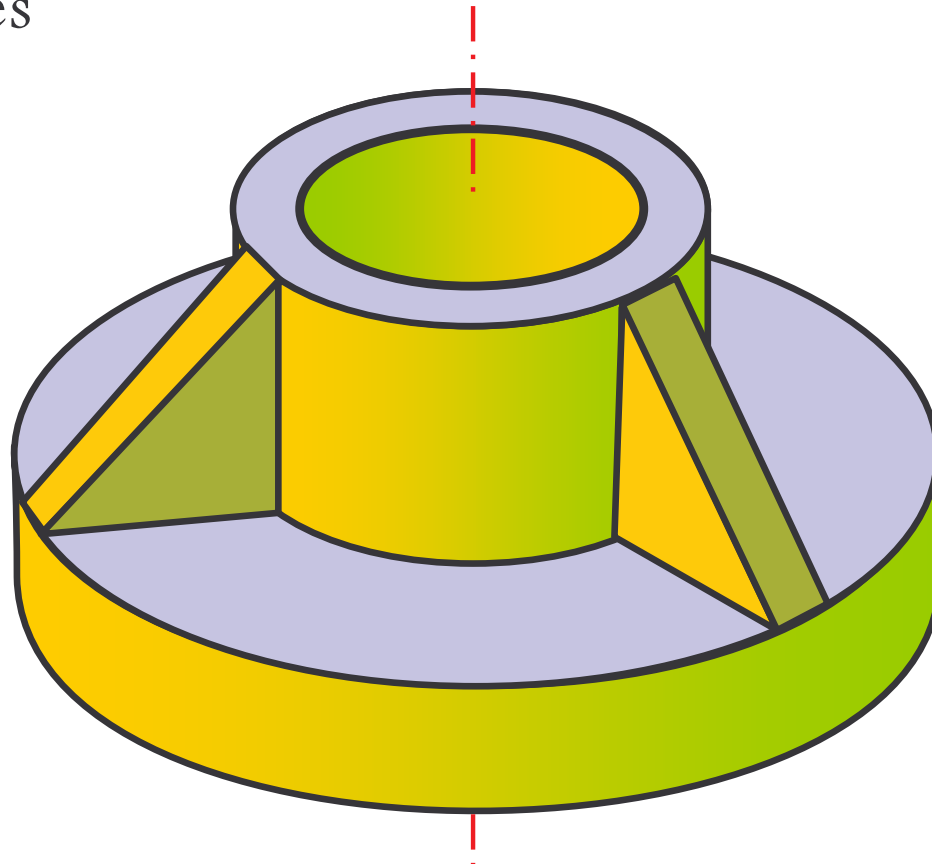
## OTHER CONVENTIONS

- No sectioning
  - Ribs and spokes



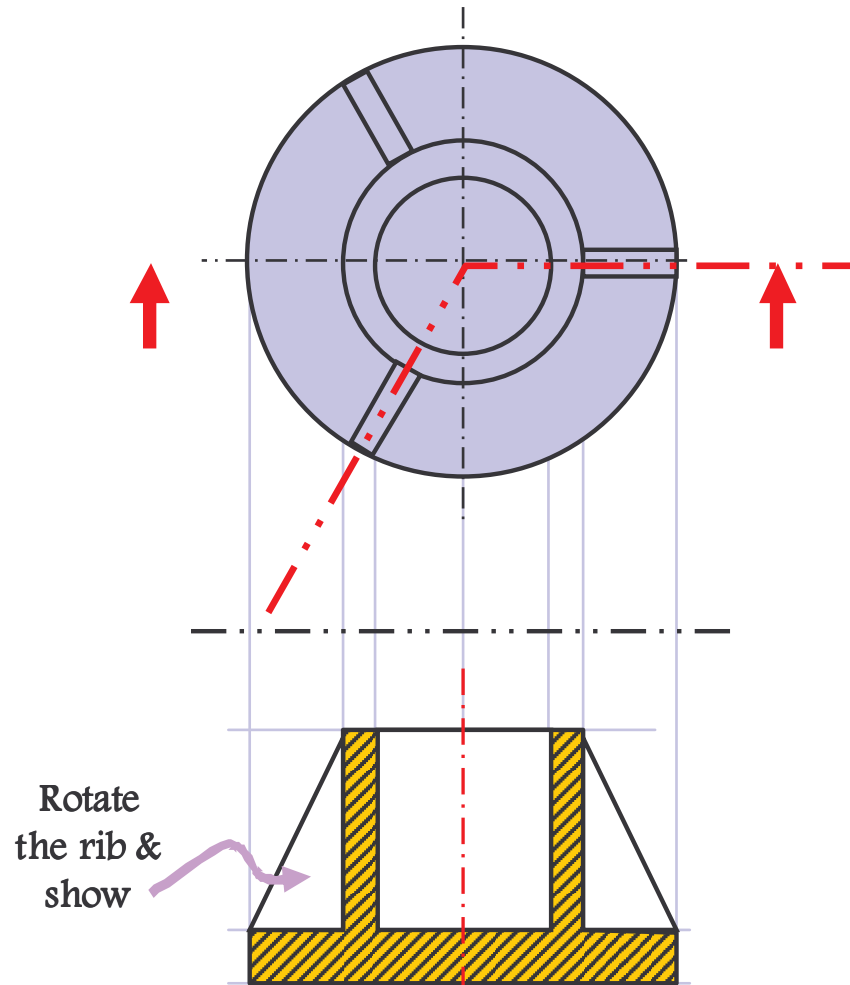
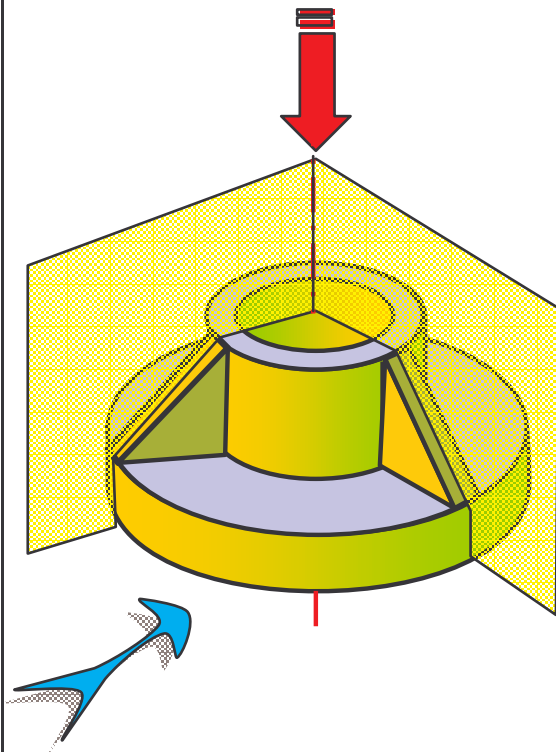
## OTHER CONVENTIONS

- No sectioning
  - Ribs and spokes



# OTHER CONVENTIONS

- Rotated Section
  - Ribs and spokes



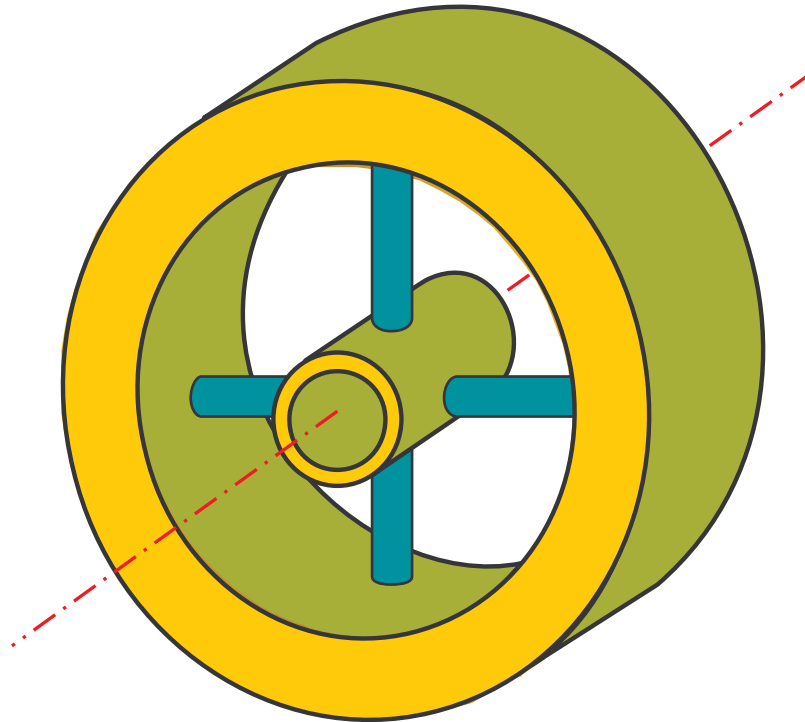
16

C. V. R. Murty @ IIT Kanpur :: TA101 :: 2007-08 II



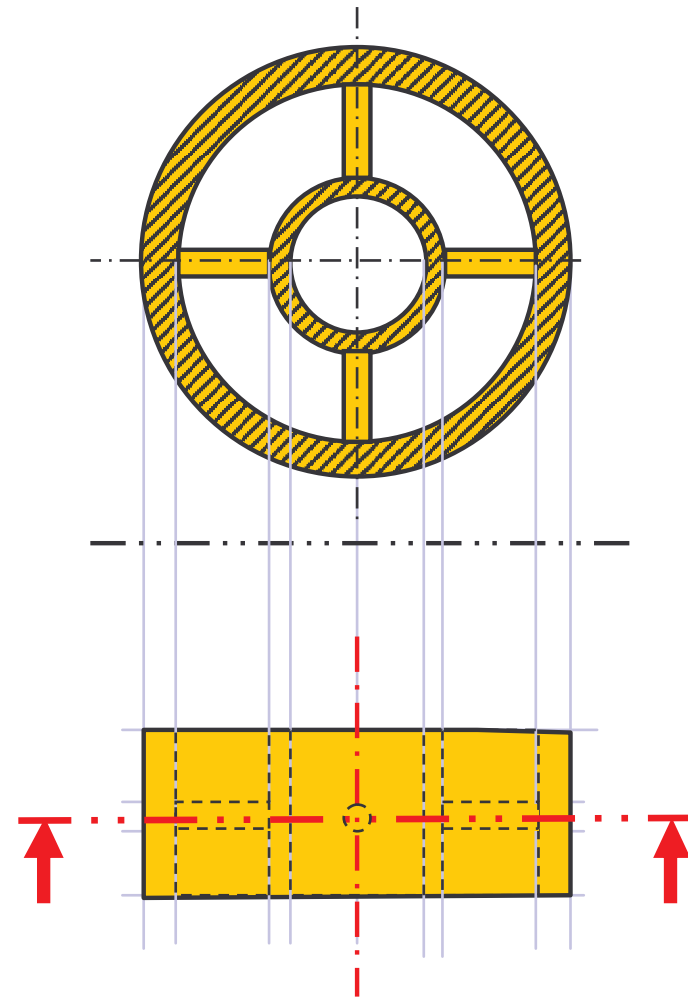
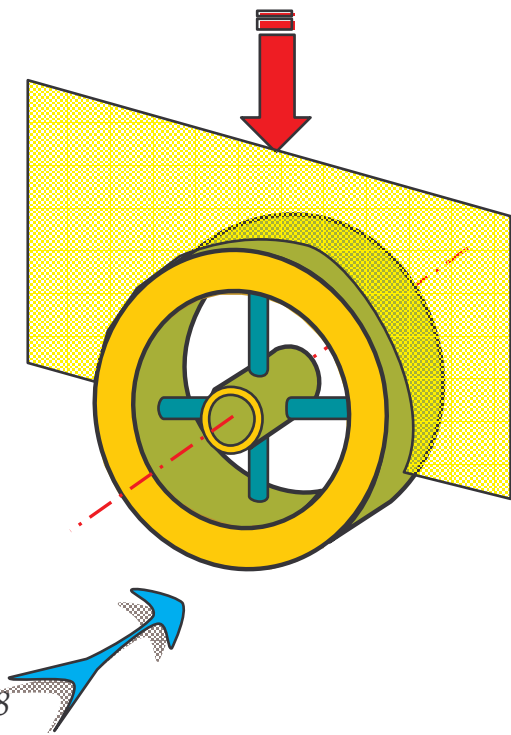
## OTHER CONVENTIONS

- No sectioning
  - Ribs and spokes



# OTHER CONVENTIONS

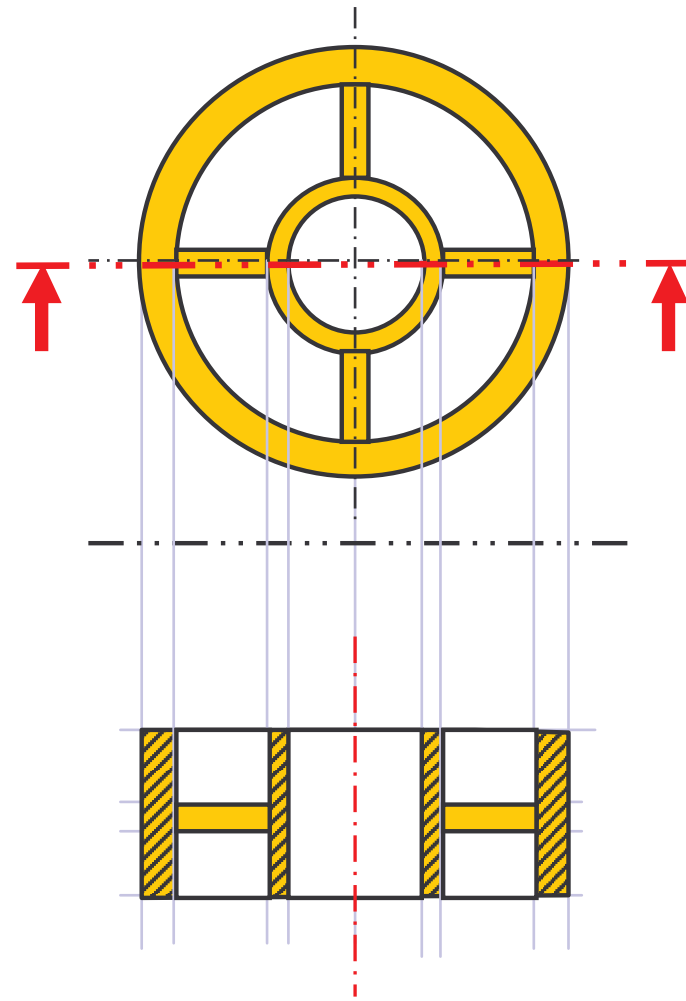
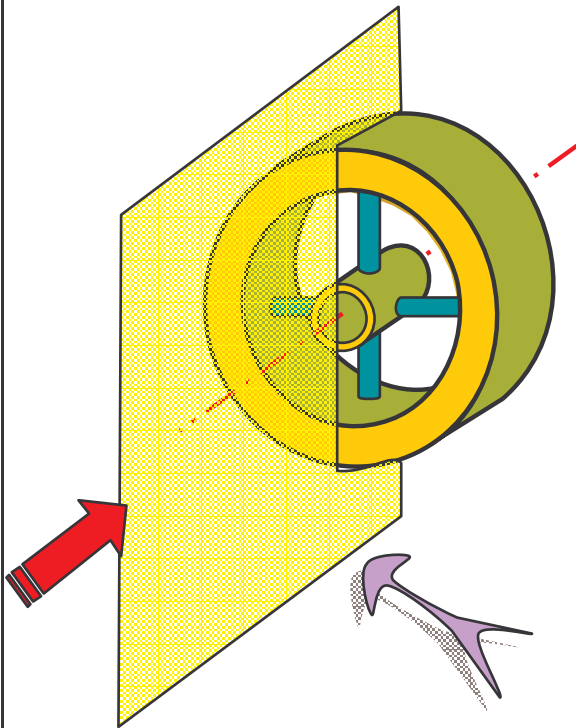
- No sectioning
  - Ribs and spokes



C. V. R. Murty @ IIT Kanpur :: TA101 :: 2007-08 II

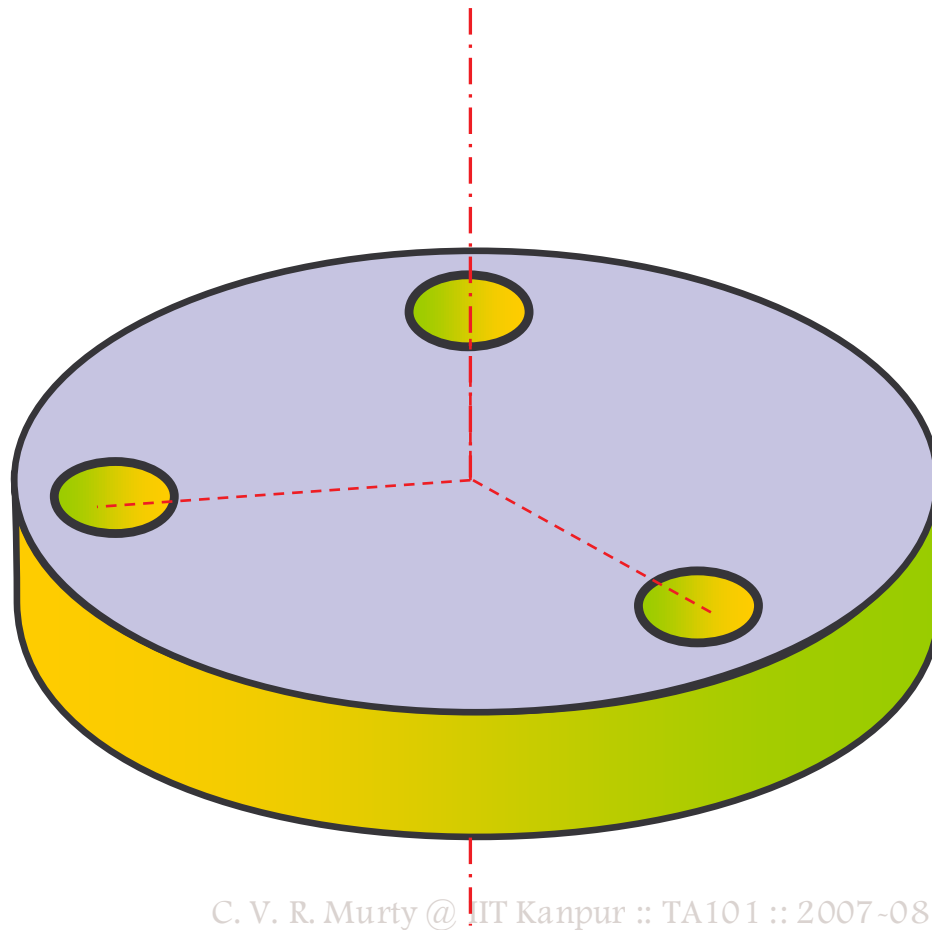
# OTHER CONVENTIONS

- No sectioning
  - Ribs and spokes



## OTHER CONVENTIONS

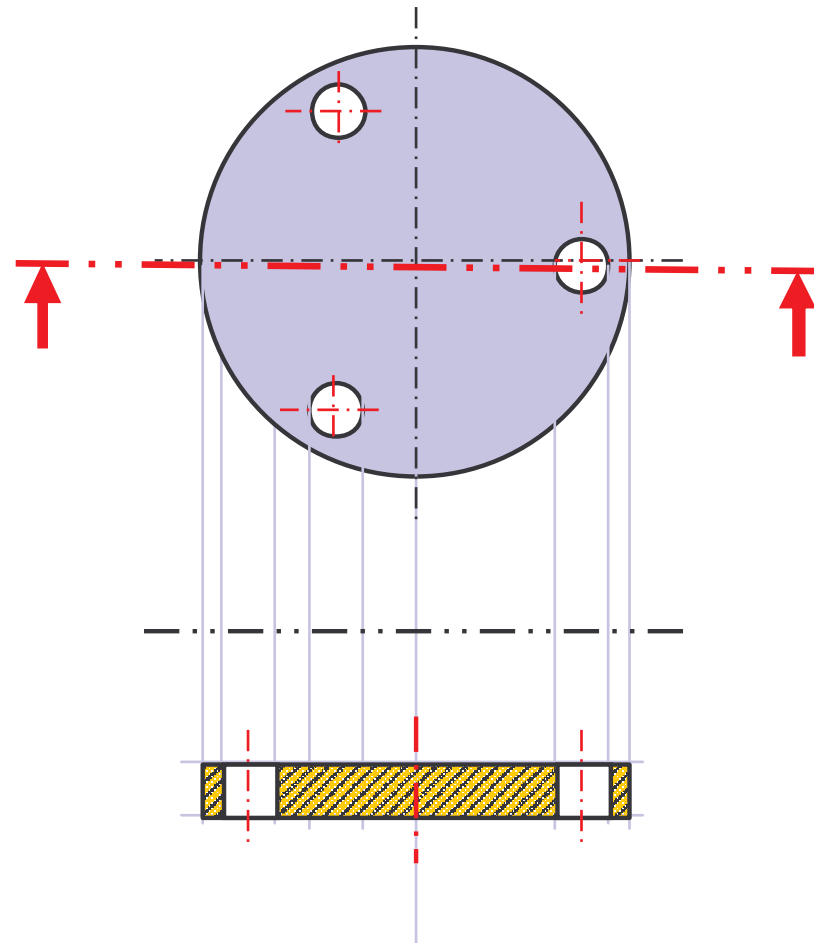
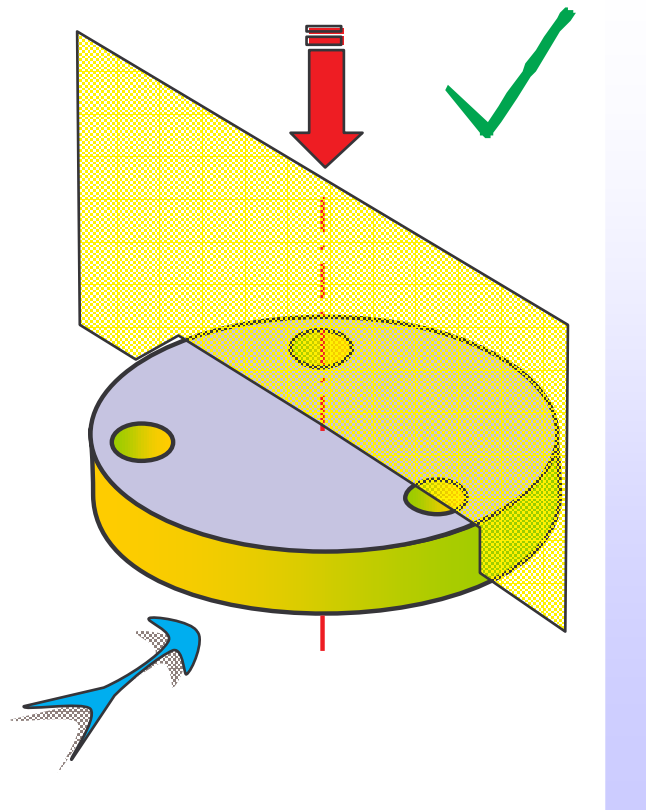
- Rotated Section
  - Holes



# OTHER CONVENTIONS

- Rotated Section

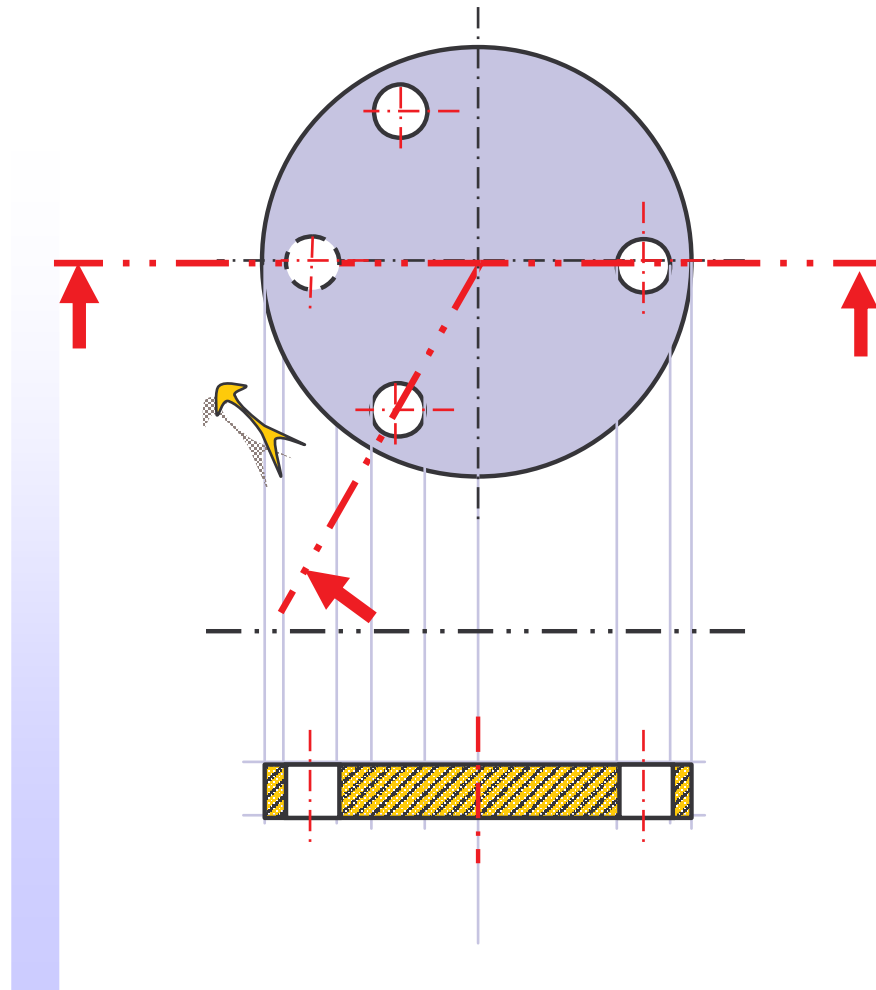
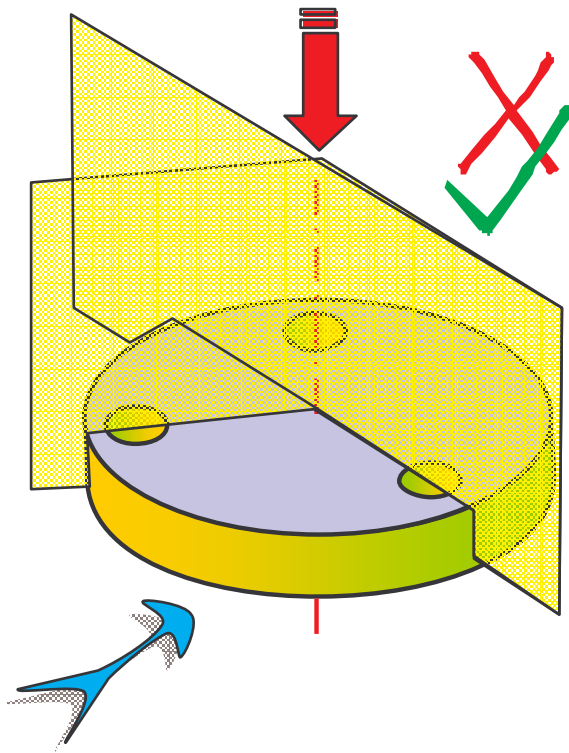
- Holes



# OTHER CONVENTIONS

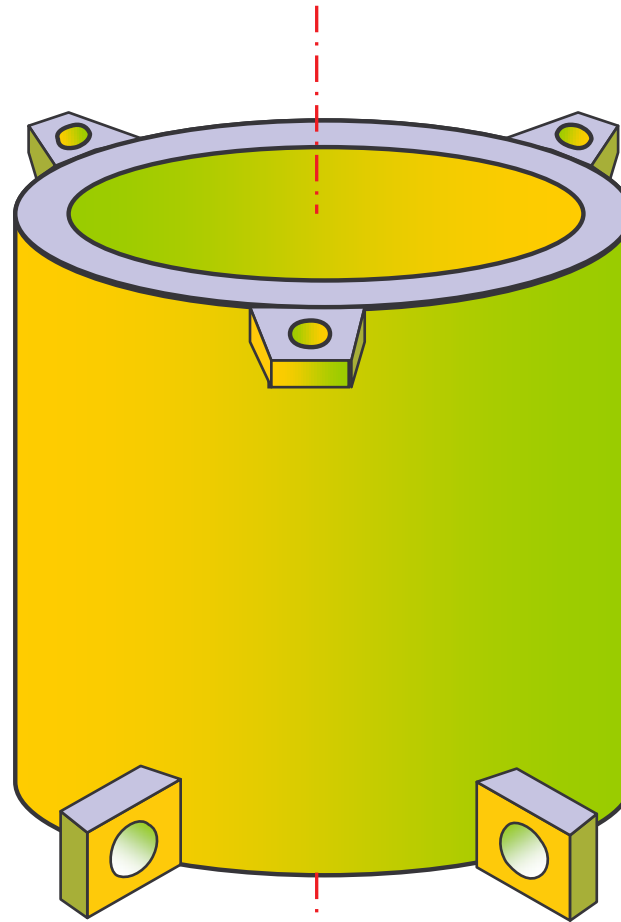
- Rotated Section

- Holes



## OTHER CONVENTIONS

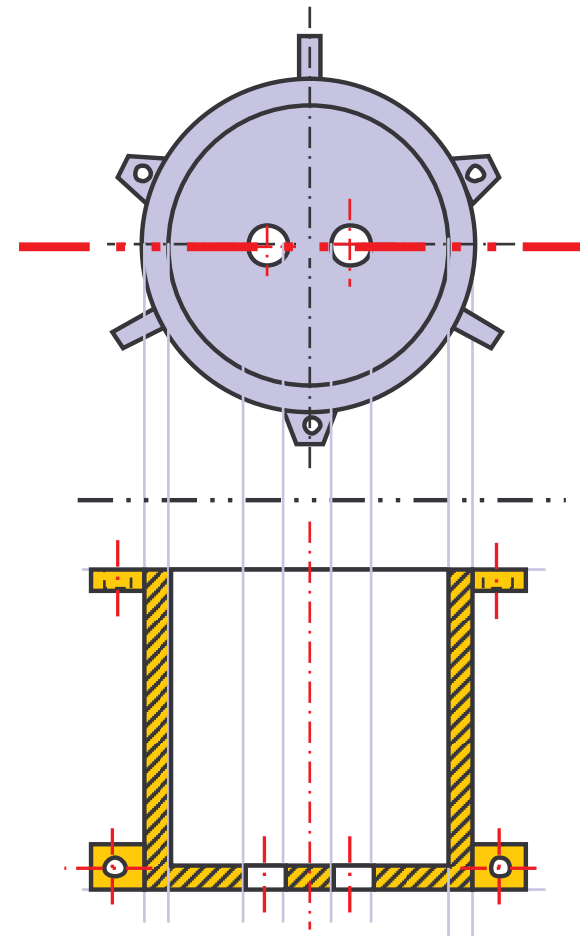
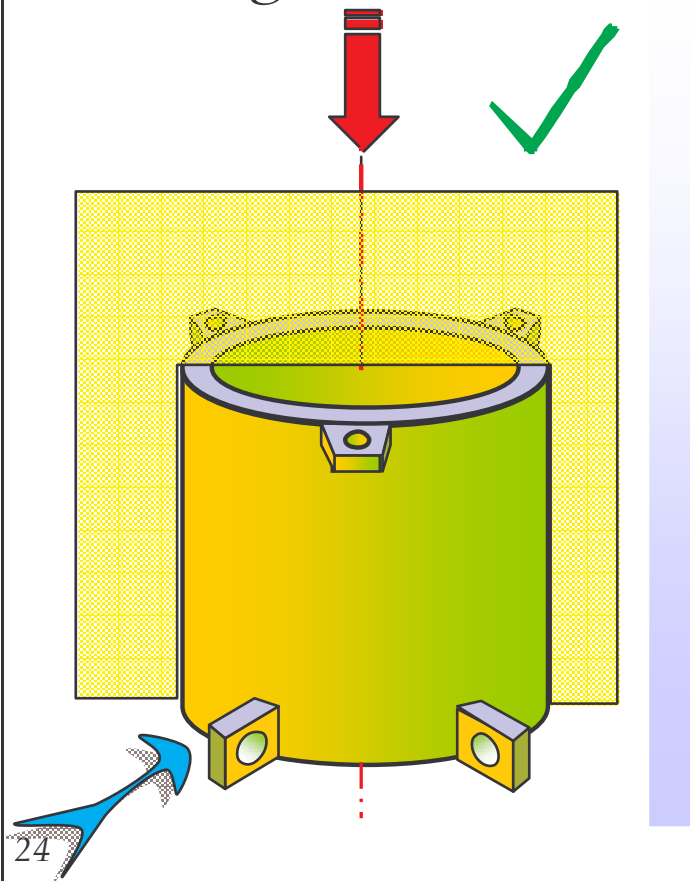
- Rotated Section
  - Lugs



# OTHER CONVENTIONS

- Rotated Section

– Lugs

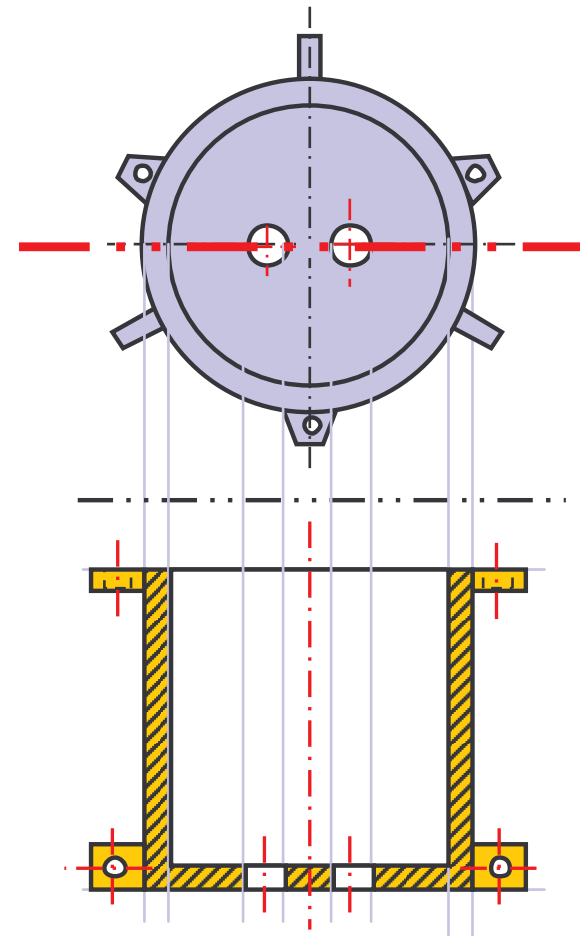
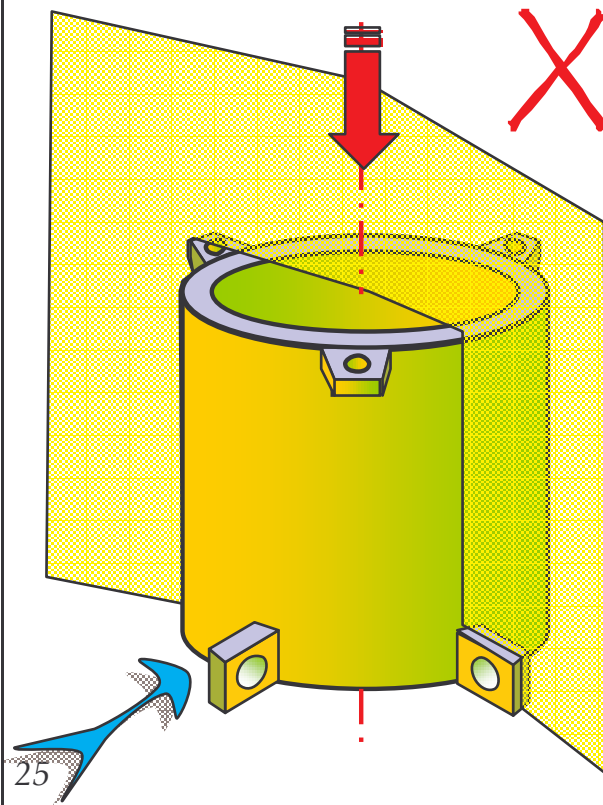


C. V. R. Murty @ IIT Kanpur :: TA101 :: 2007-08 II



# OTHER CONVENTIONS

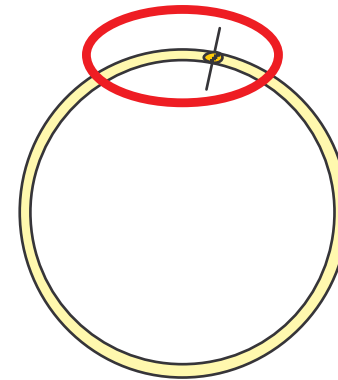
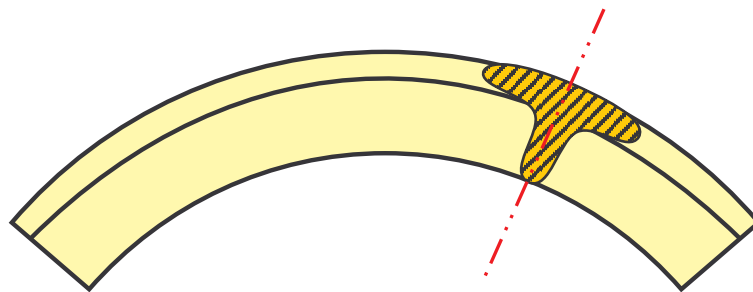
- Rotated Section
  - Lugs

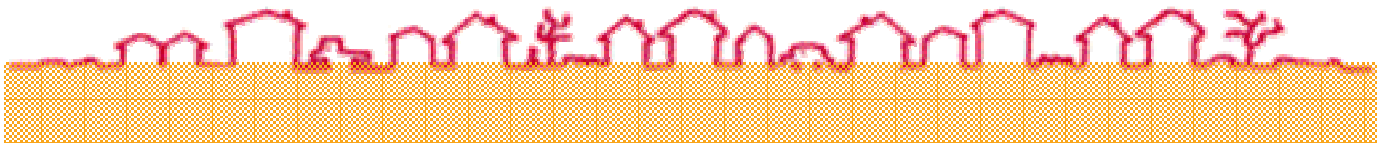


C. V. R. Murty @ IIT Kanpur :: TA101 :: 2007-08 II

# OTHER CONVENTIONS

- Revolved Section
  - Rims





Have a Great Day!!

