

Lecture 11

ORTHOGRAPHIC  
PROJECTIONS  
:: ASSEMBLIES



TA 101 : Engineering Graphics

2007-08 Semester II

January – May 2008

# OUTLINE

- Why is an assembly drawing required ?
  - Importance of sectional view
- Examples



NEED

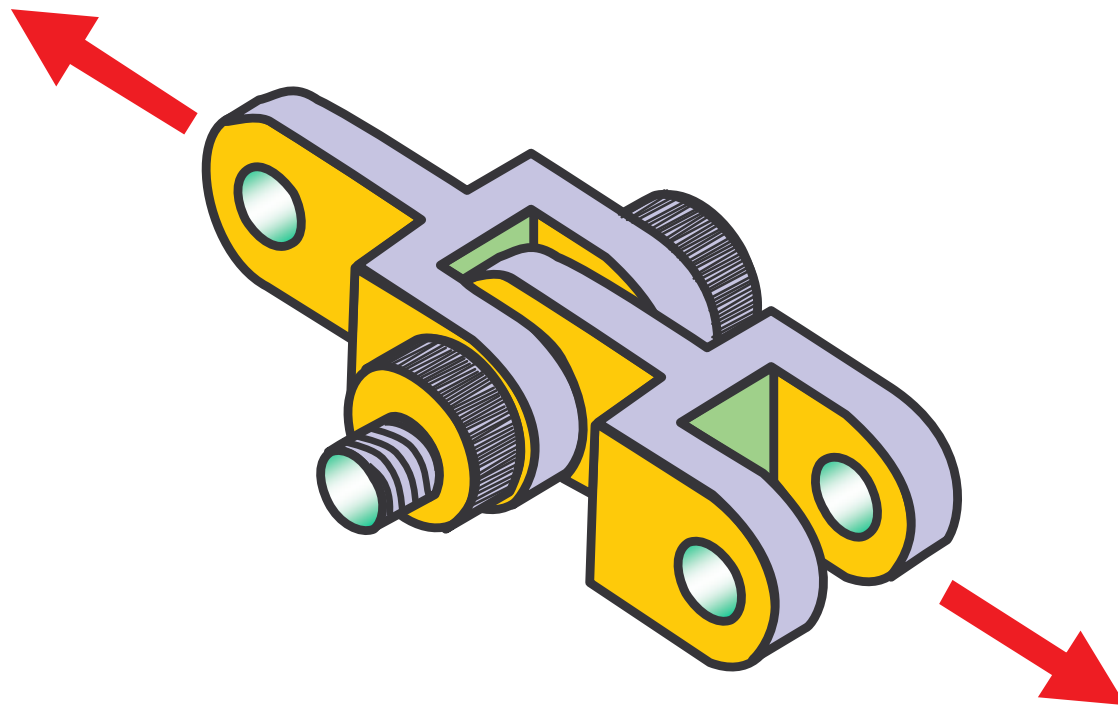
# MANUFACTURING

- Making an object made of a group of pieces
  - How do the pieces fit into each other



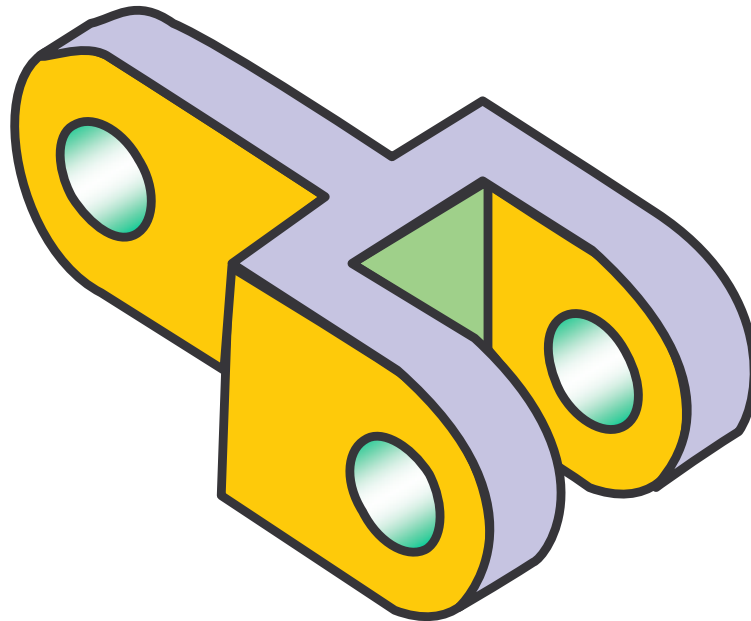
# CONCEPT

- Single lug chain



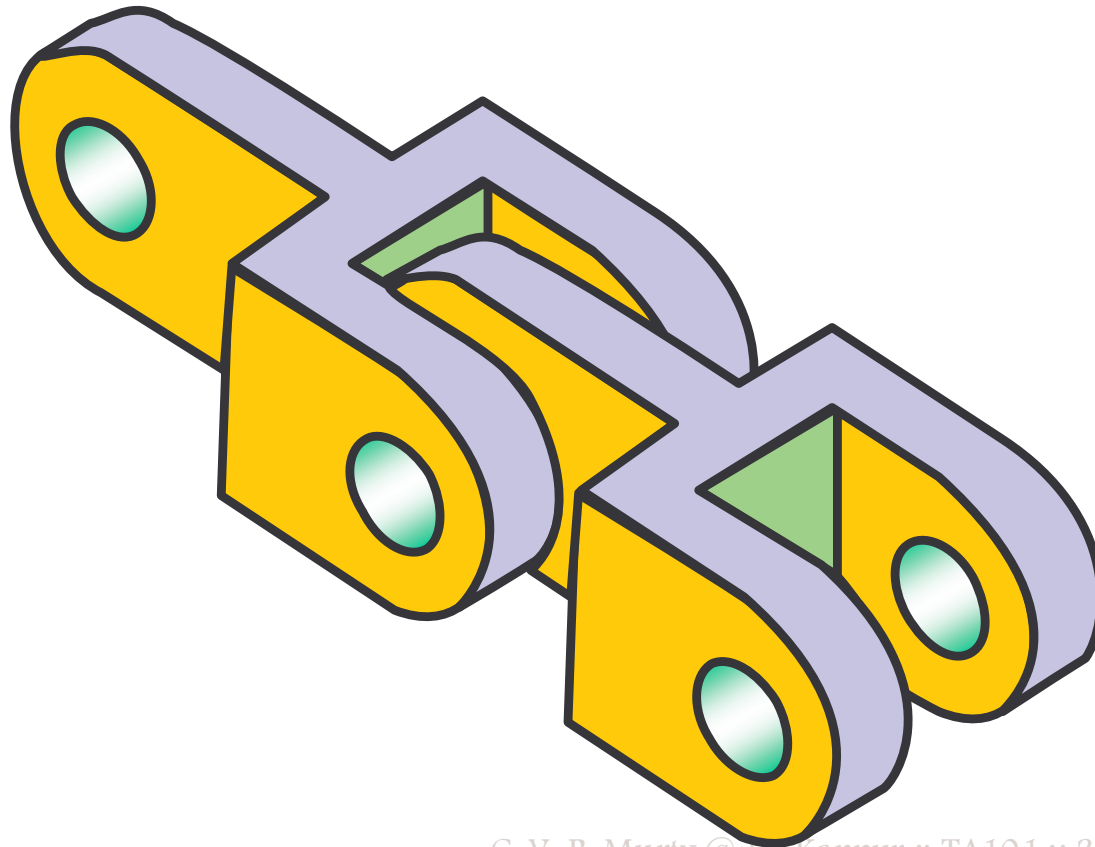
## CONCEPT

- What is the sequence of manufacture?
  - Step 1



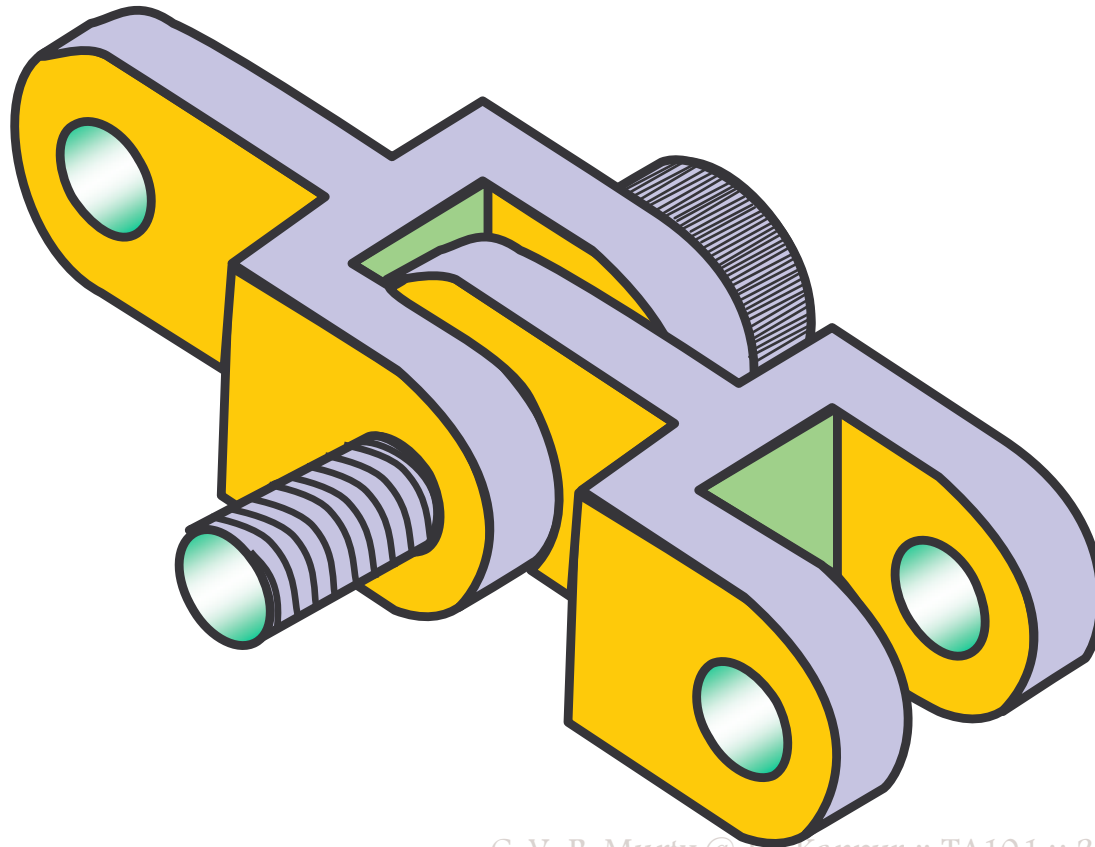
## CONCEPT

- What is the sequence of manufacture?
  - Step 2



## CONCEPT

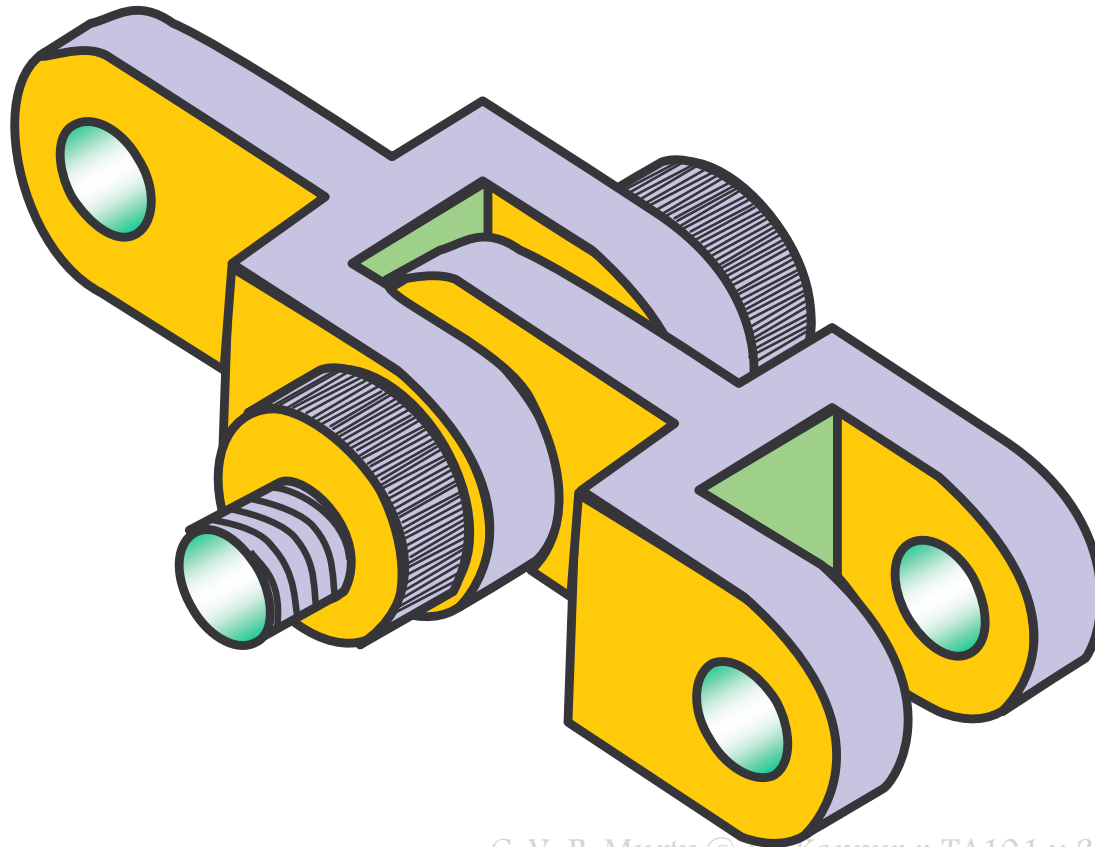
- What is the sequence of manufacture?
  - Step 3





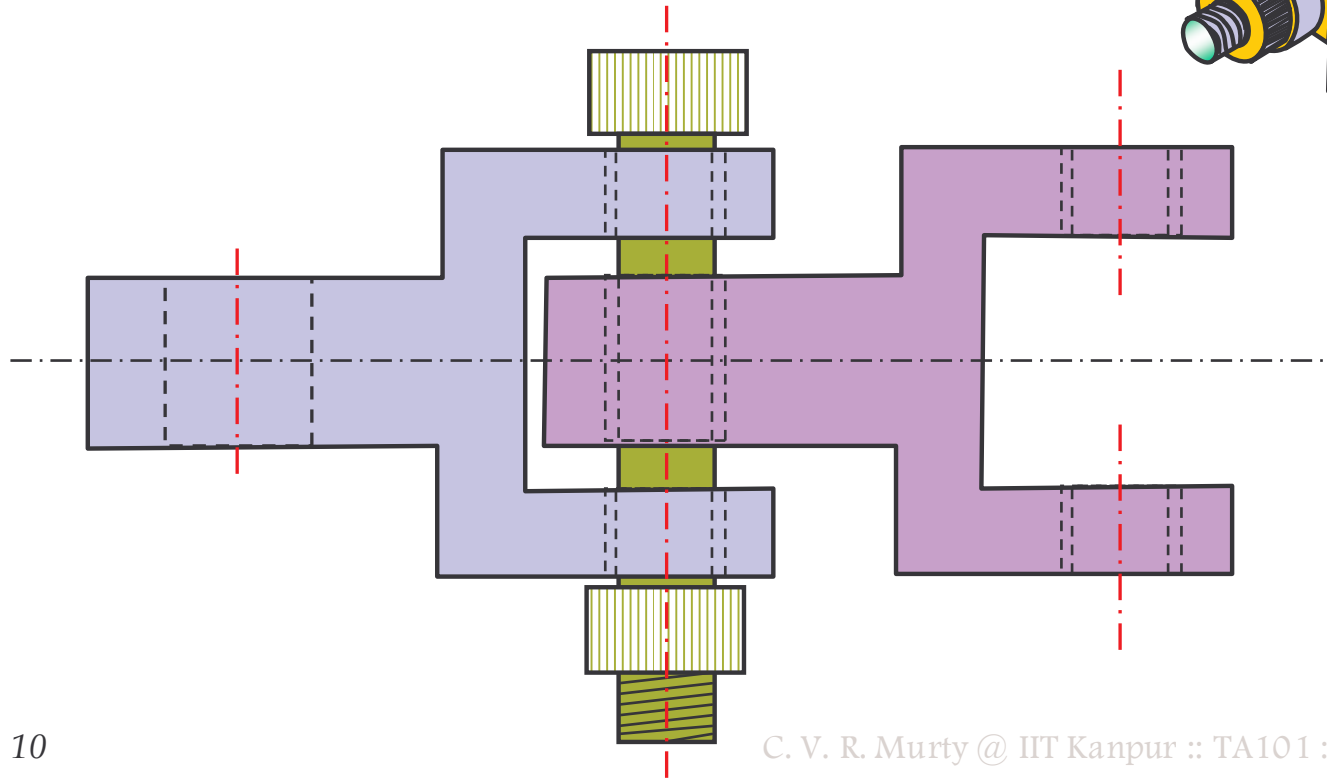
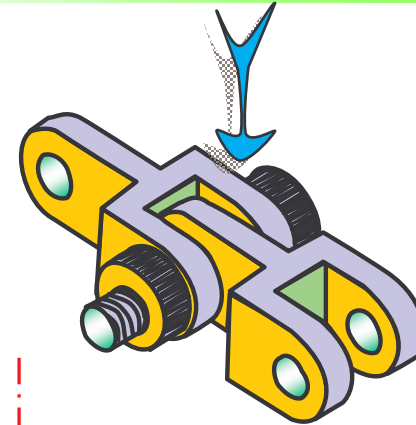
## CONCEPT

- What is the sequence of manufacture?
  - Step 4



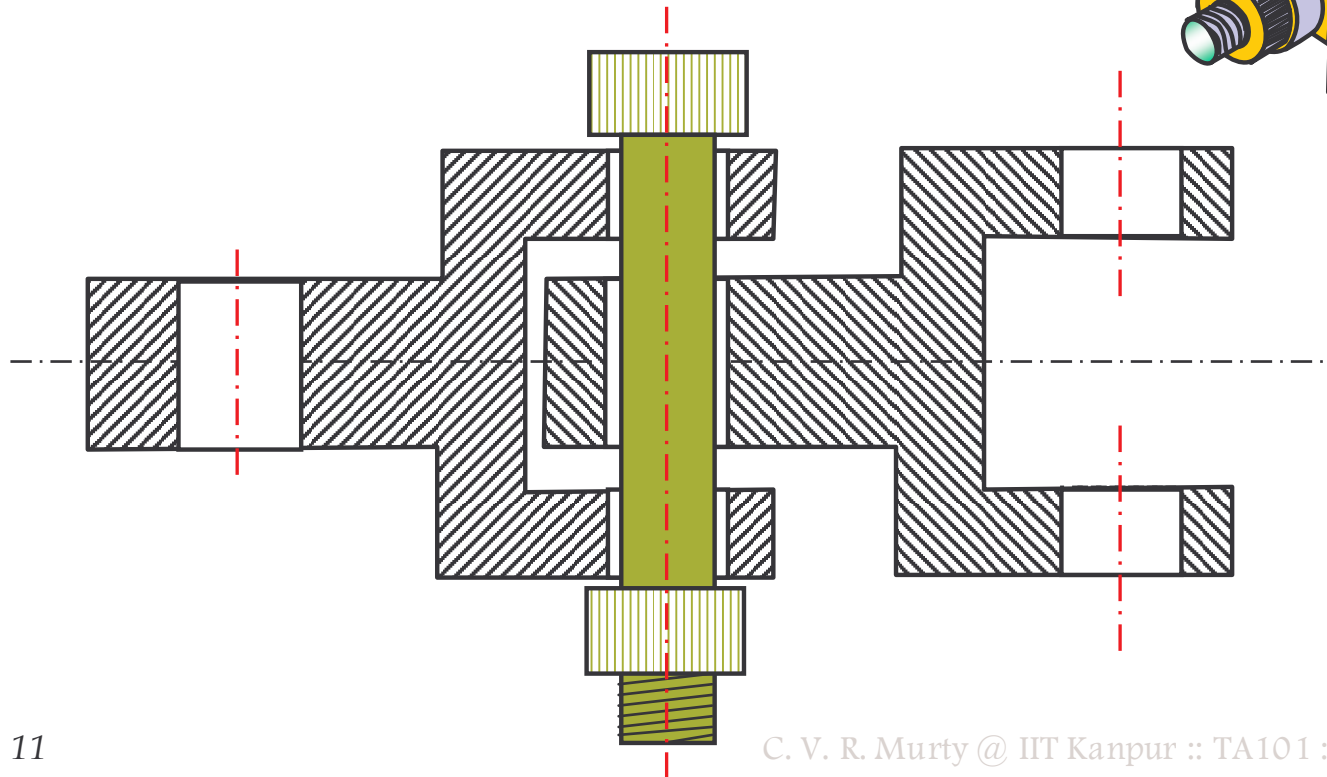
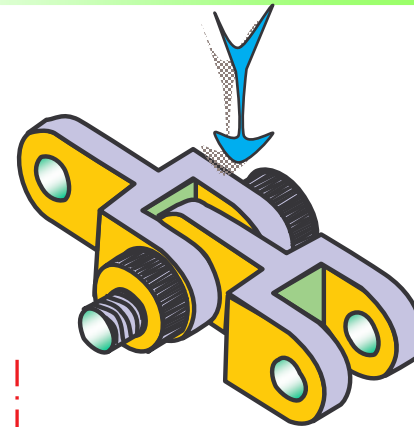
# CONCEPT

- Top view



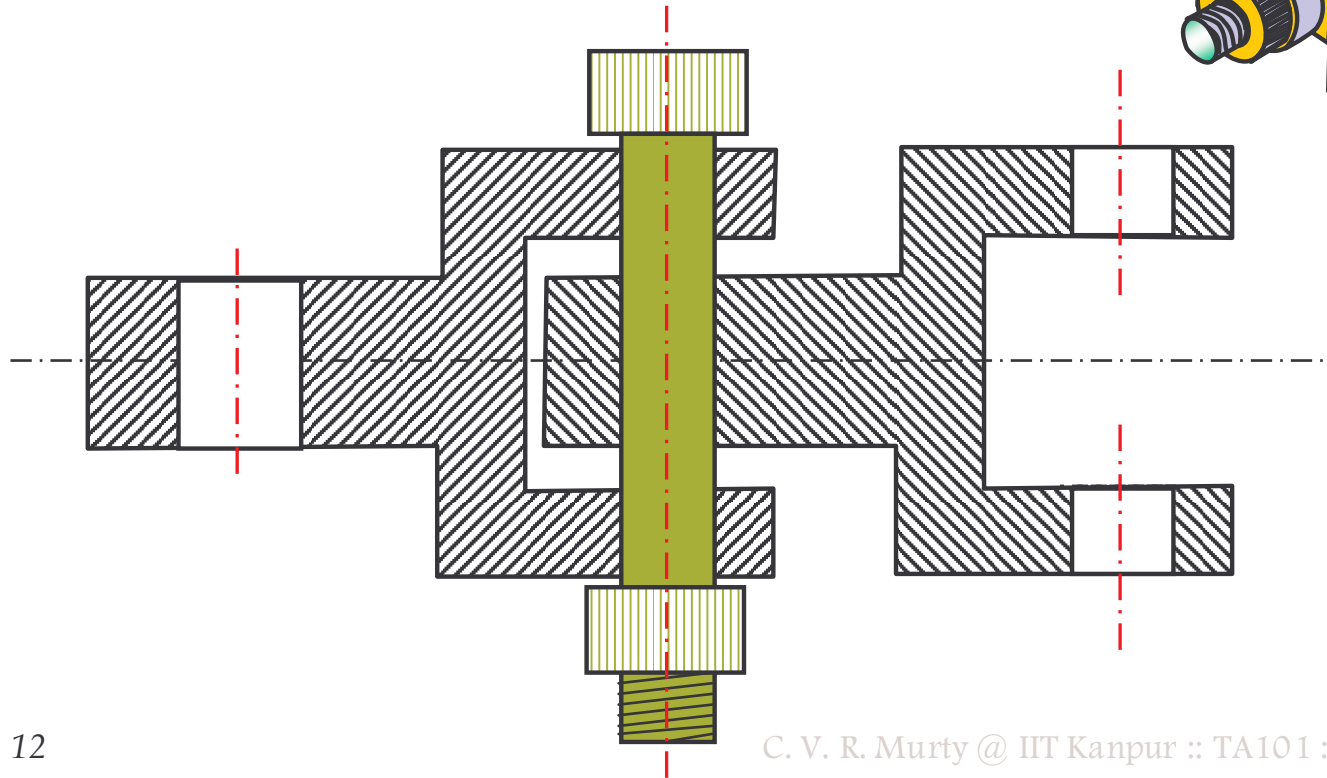
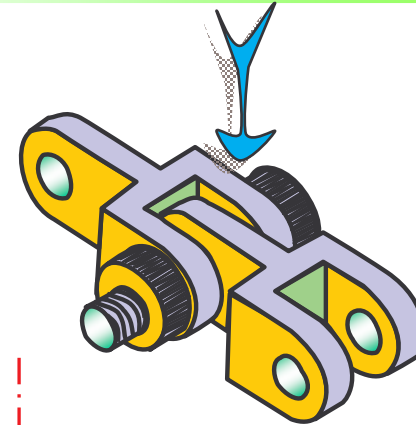
# CONCEPT

- Importance of Sectional view
  - Know the gaps between the parts



# CONCEPT

- Importance of Sectional view
  - Snug fit between the parts

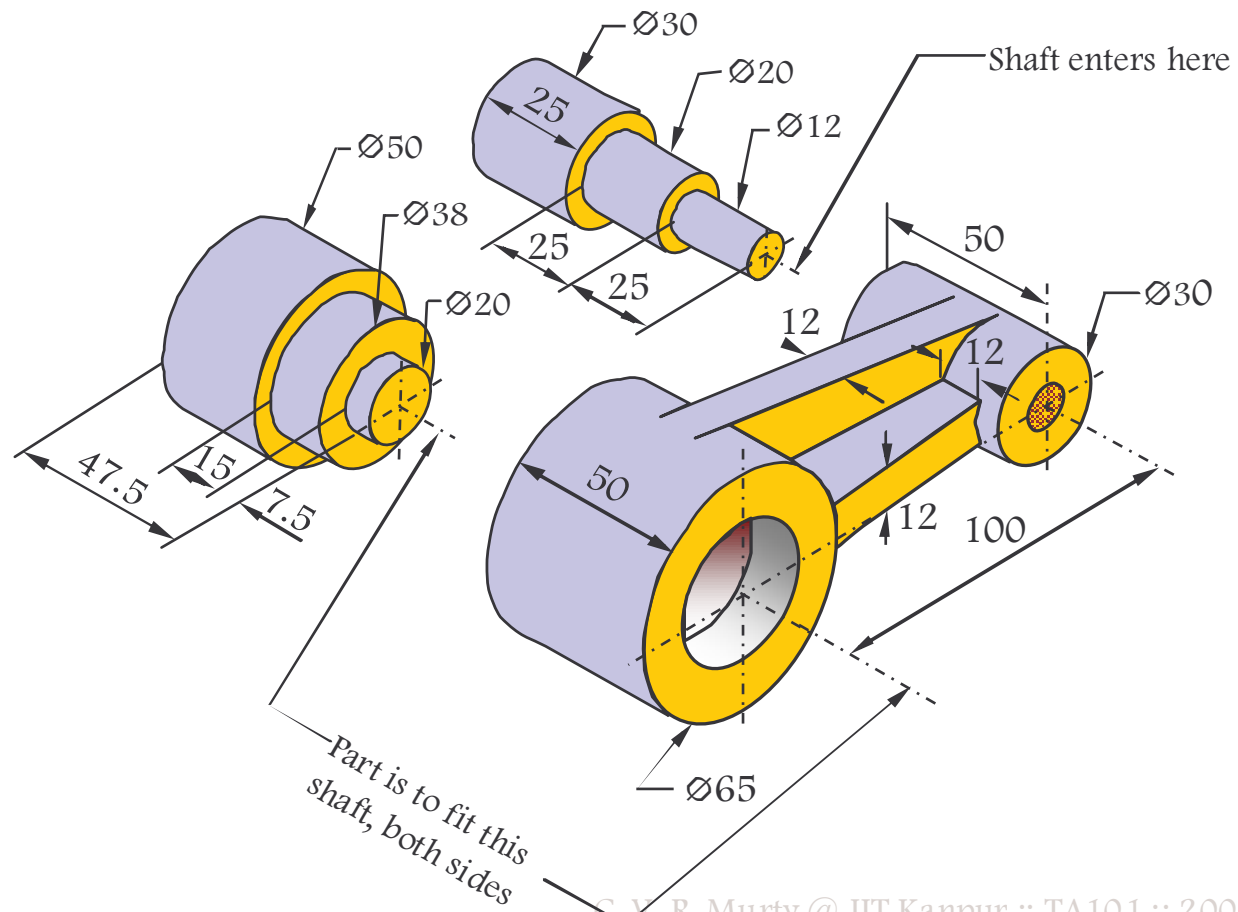




# EXAMPLES

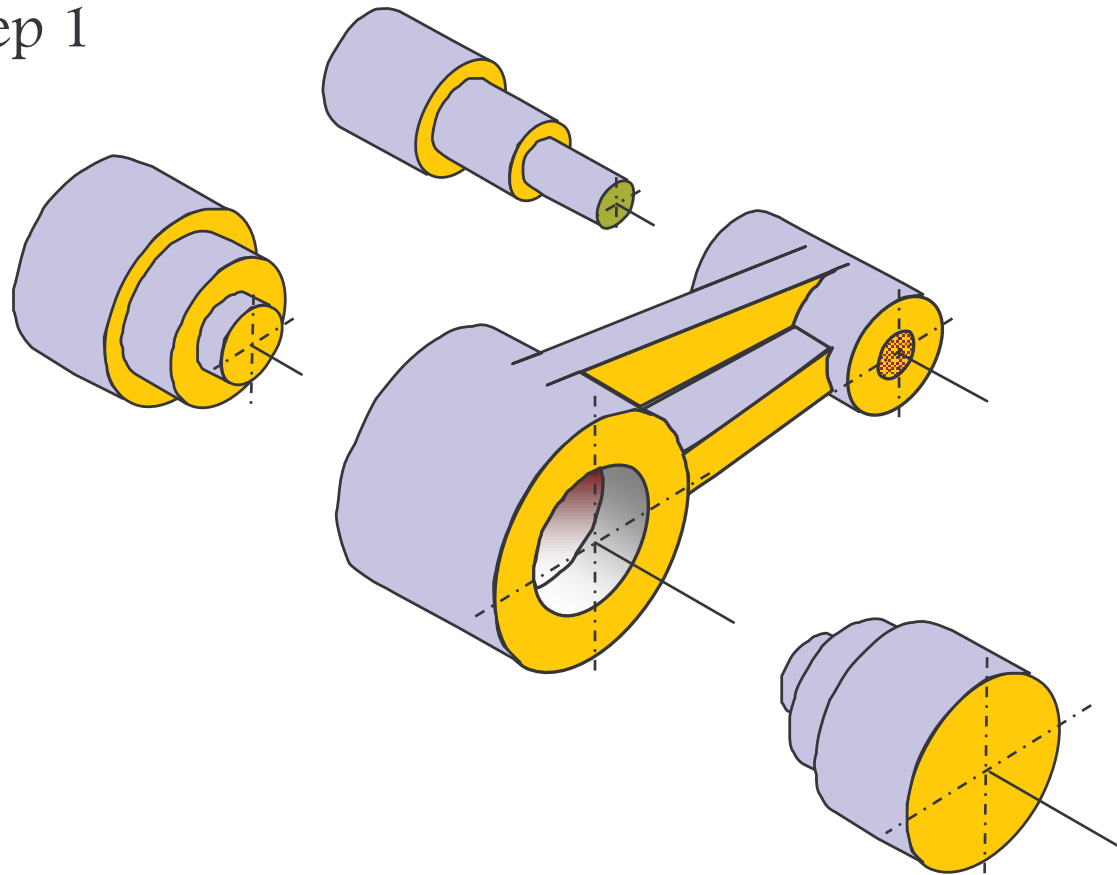
# EXAMPLE 1

- Class work



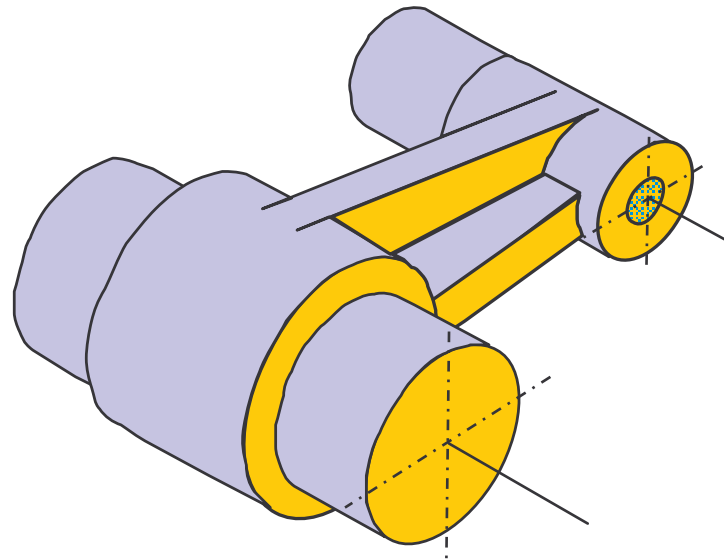
# EXAMPLE 1

- Assembly
  - Step 1



## EXAMPLE 1

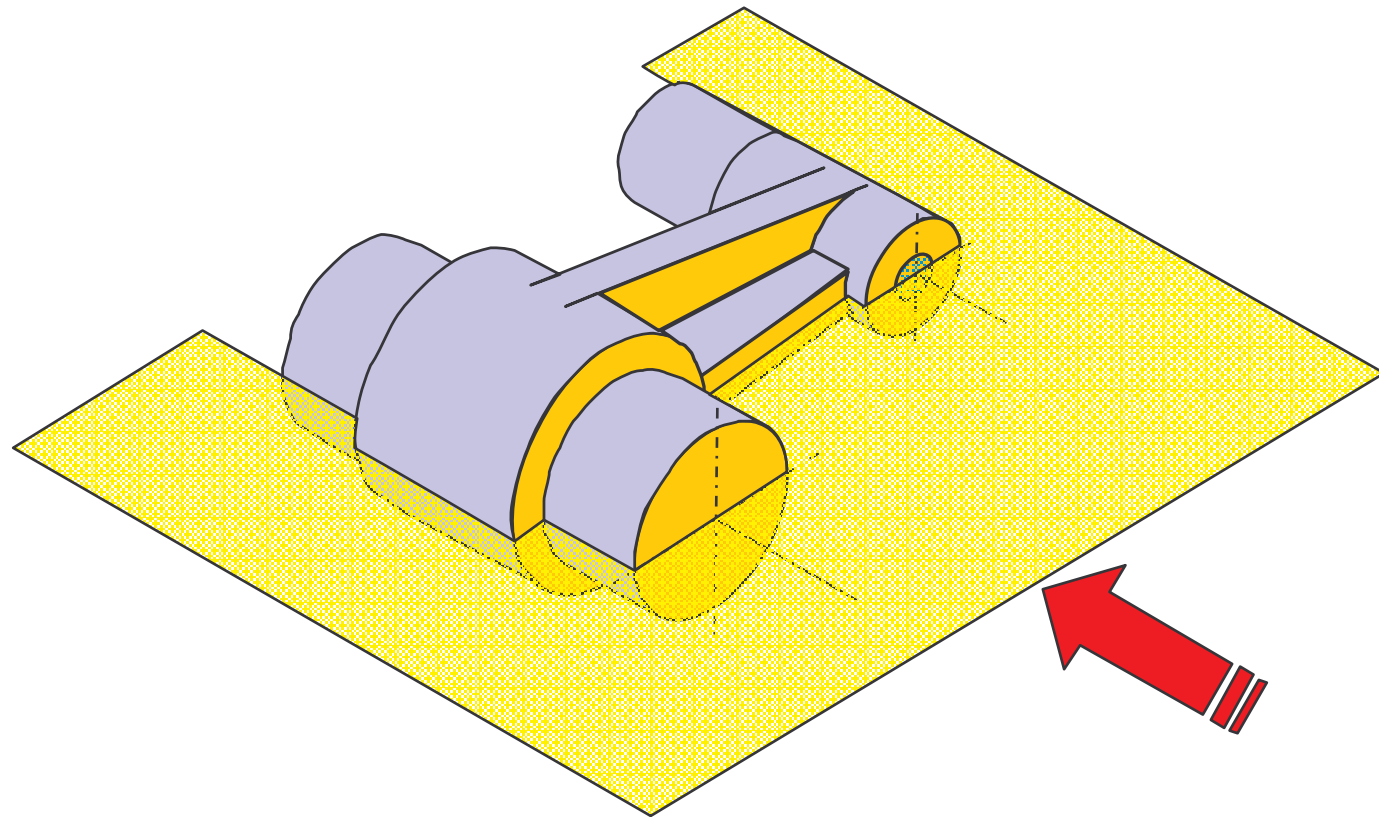
- Assembly
  - Step 2





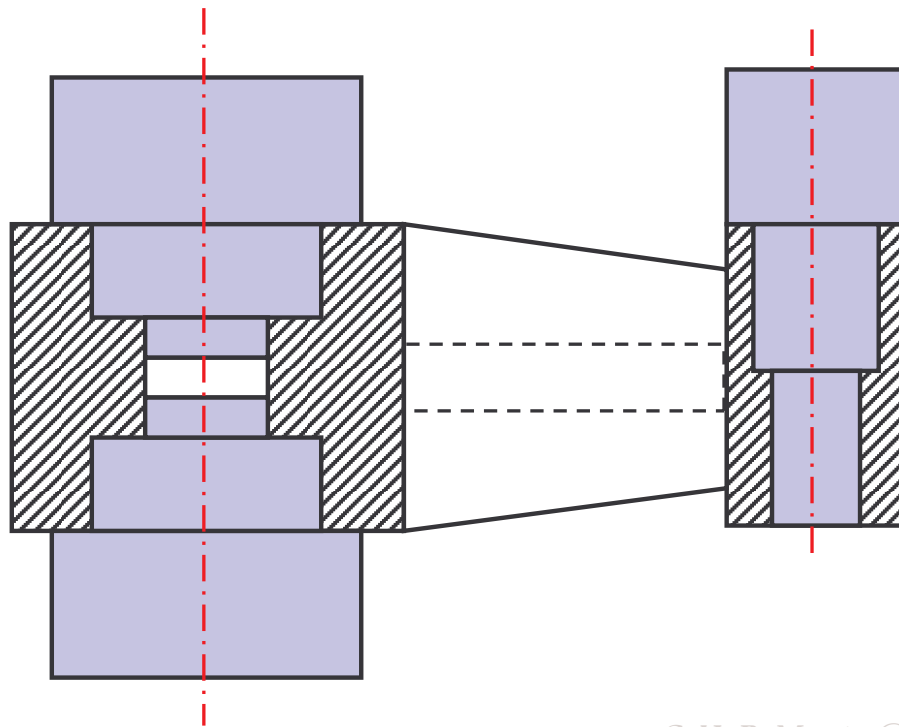
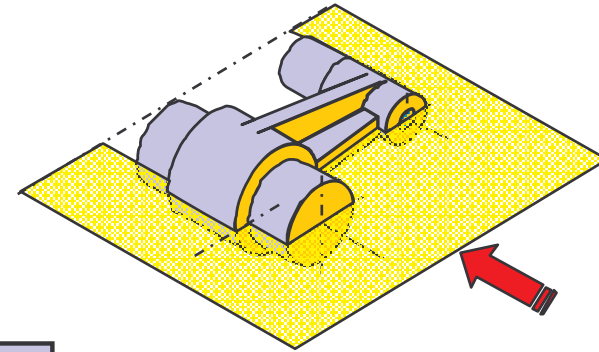
# EXAMPLE 1

- Section 1



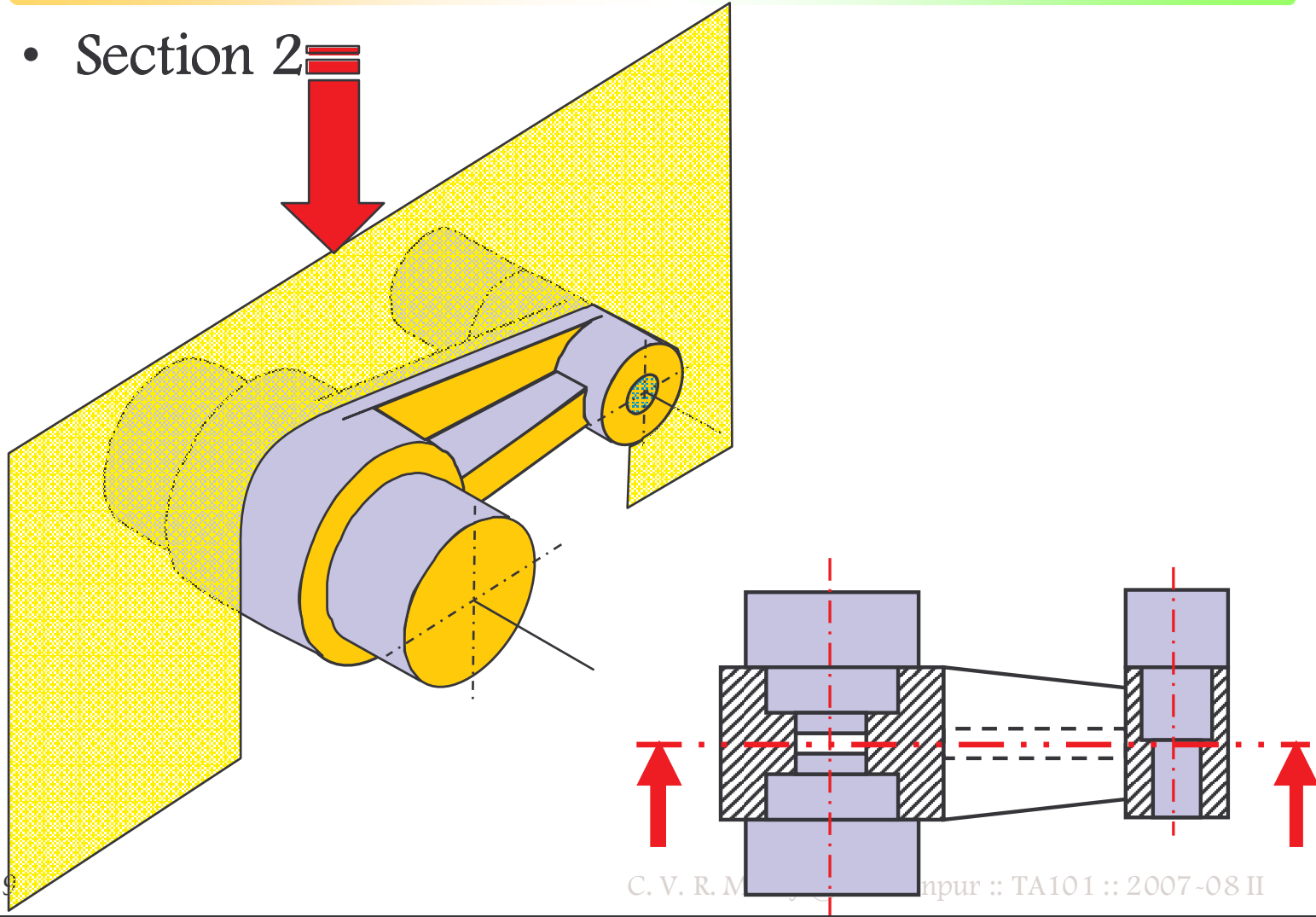
# EXAMPLE 1

- Section 1...

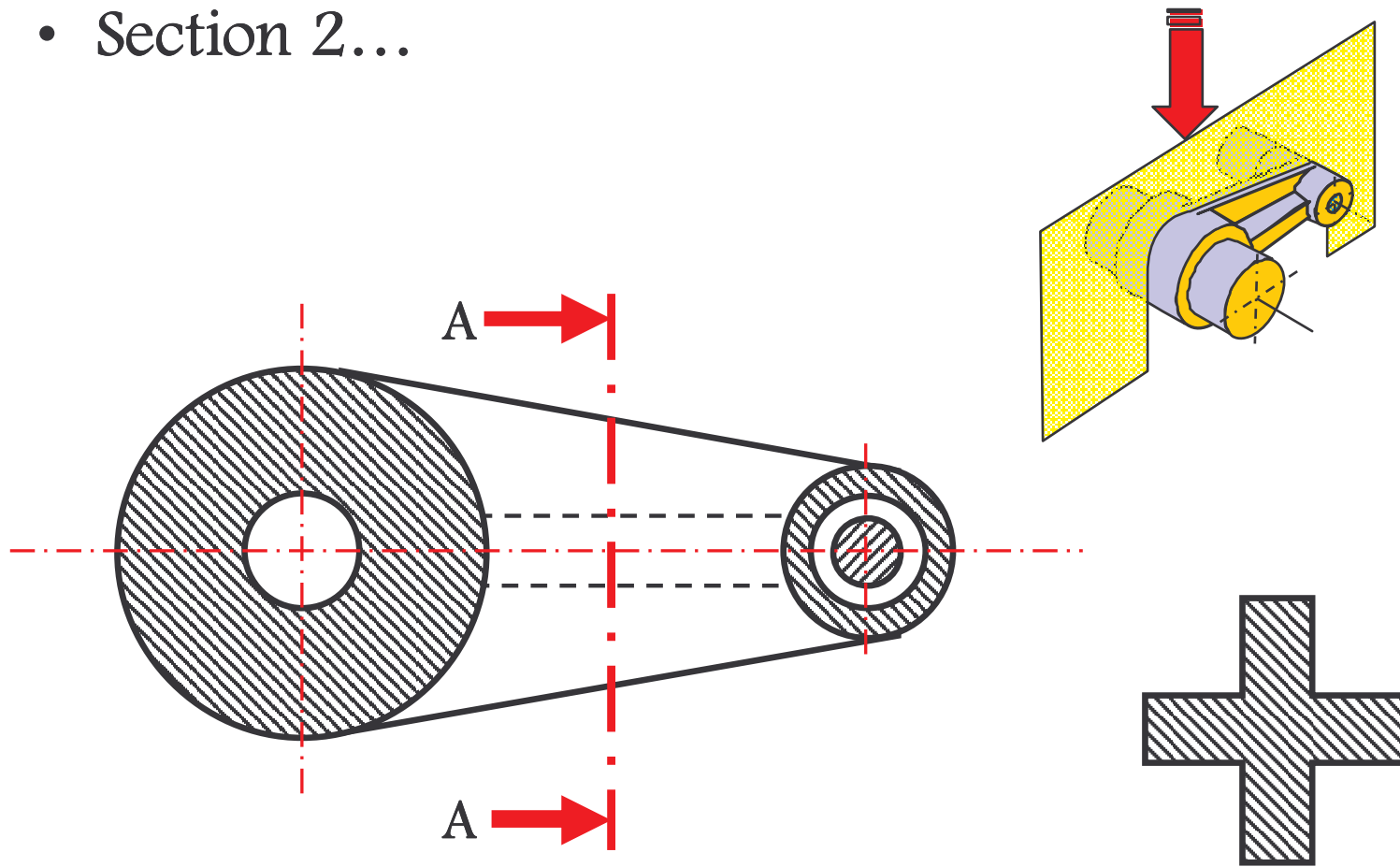


# EXAMPLE 1

- Section 2

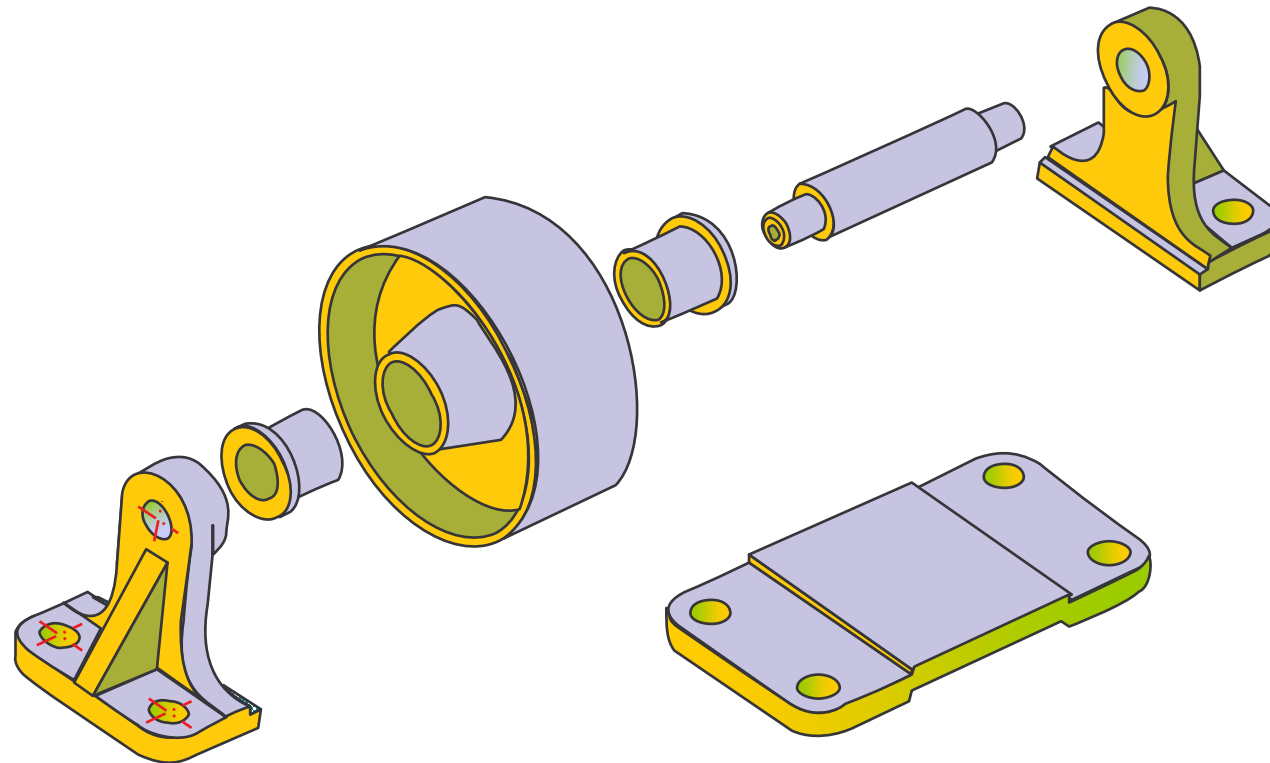


- Section 2...



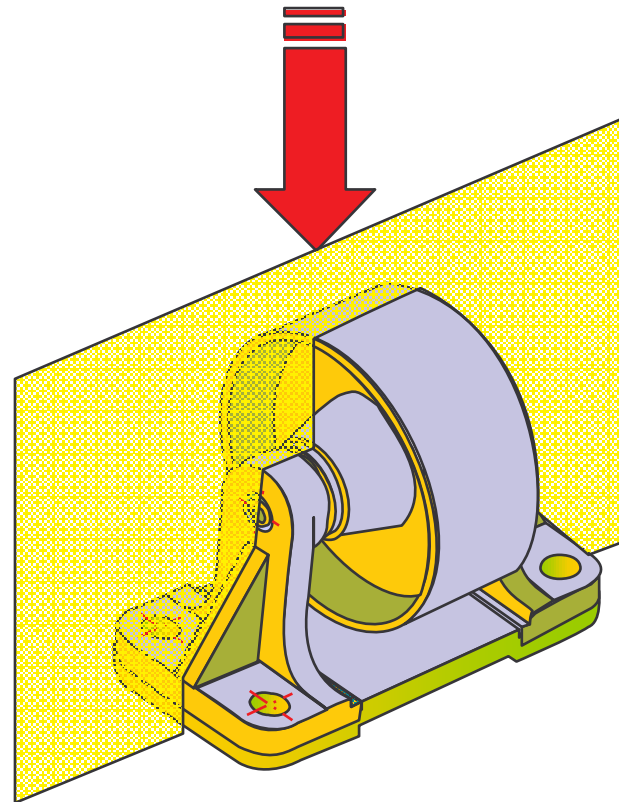
## EXAMPLE 2

- Bell Roller Support



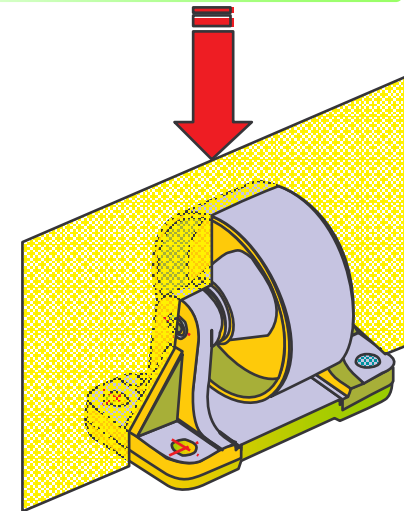
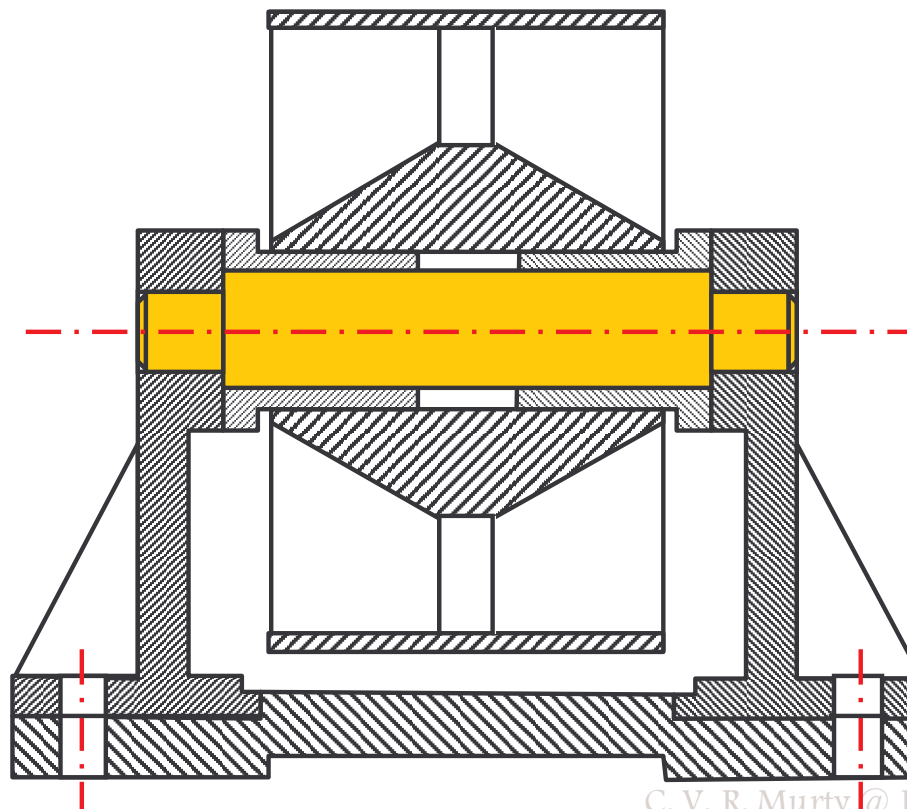
## EXAMPLE 2

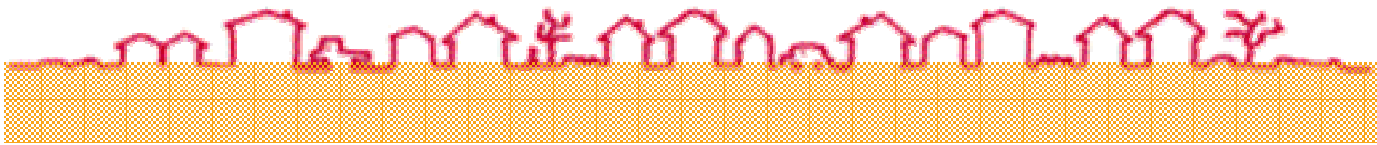
- Bell Roller Support...



## EXAMPLE 2

- Bell Roller Support...





Have a Great Day!!

