

Lecture 15

PERSPECTIVE VIEWS :: EXAMPLES



TA 101 : Engineering Graphics

2007-08 Semester II

January – May 2008

OUTLINE

- **Examples**

- 2 VPs

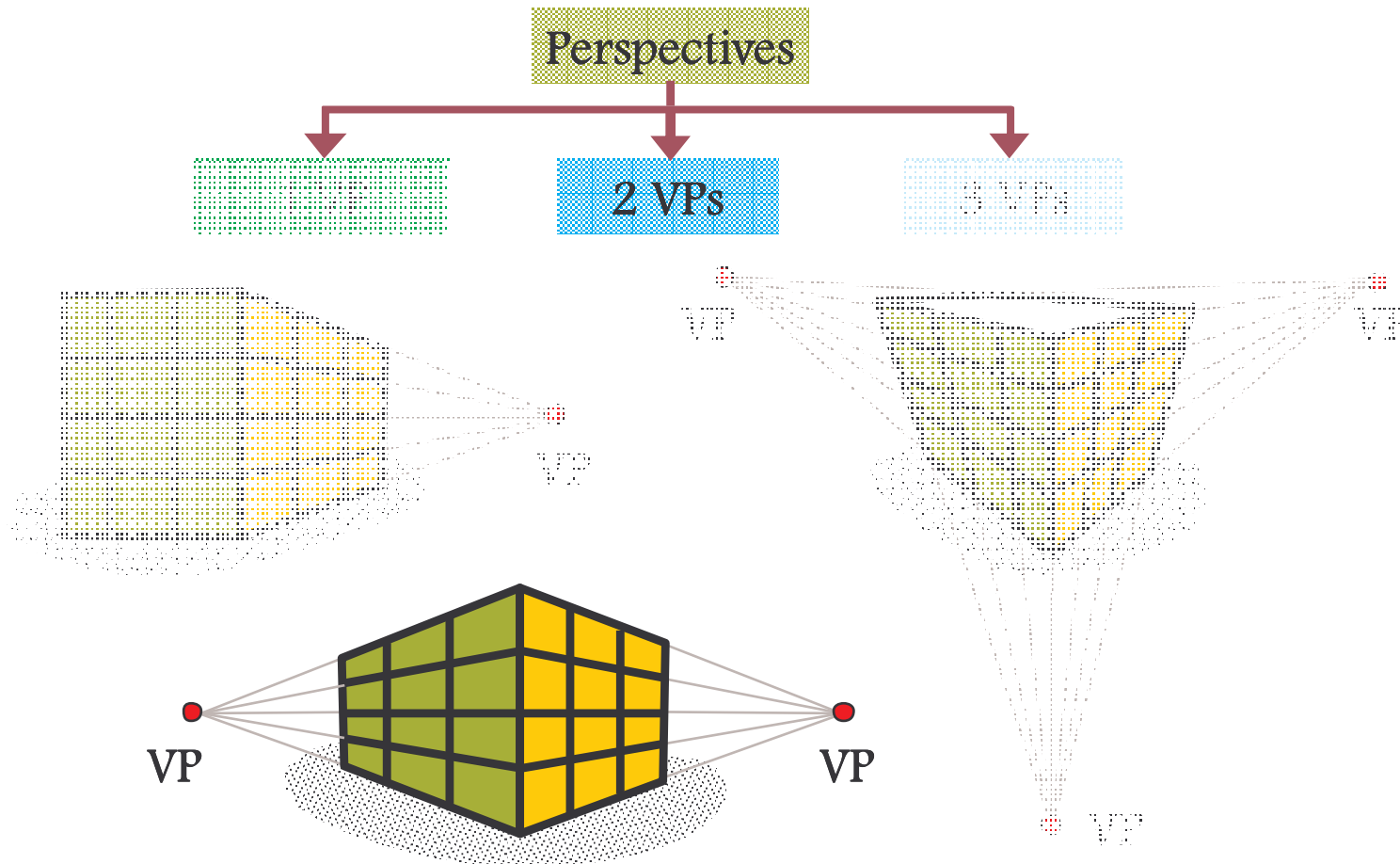
- 1 VP



2 VPs

CLASSIFICATION

- Perspective Views

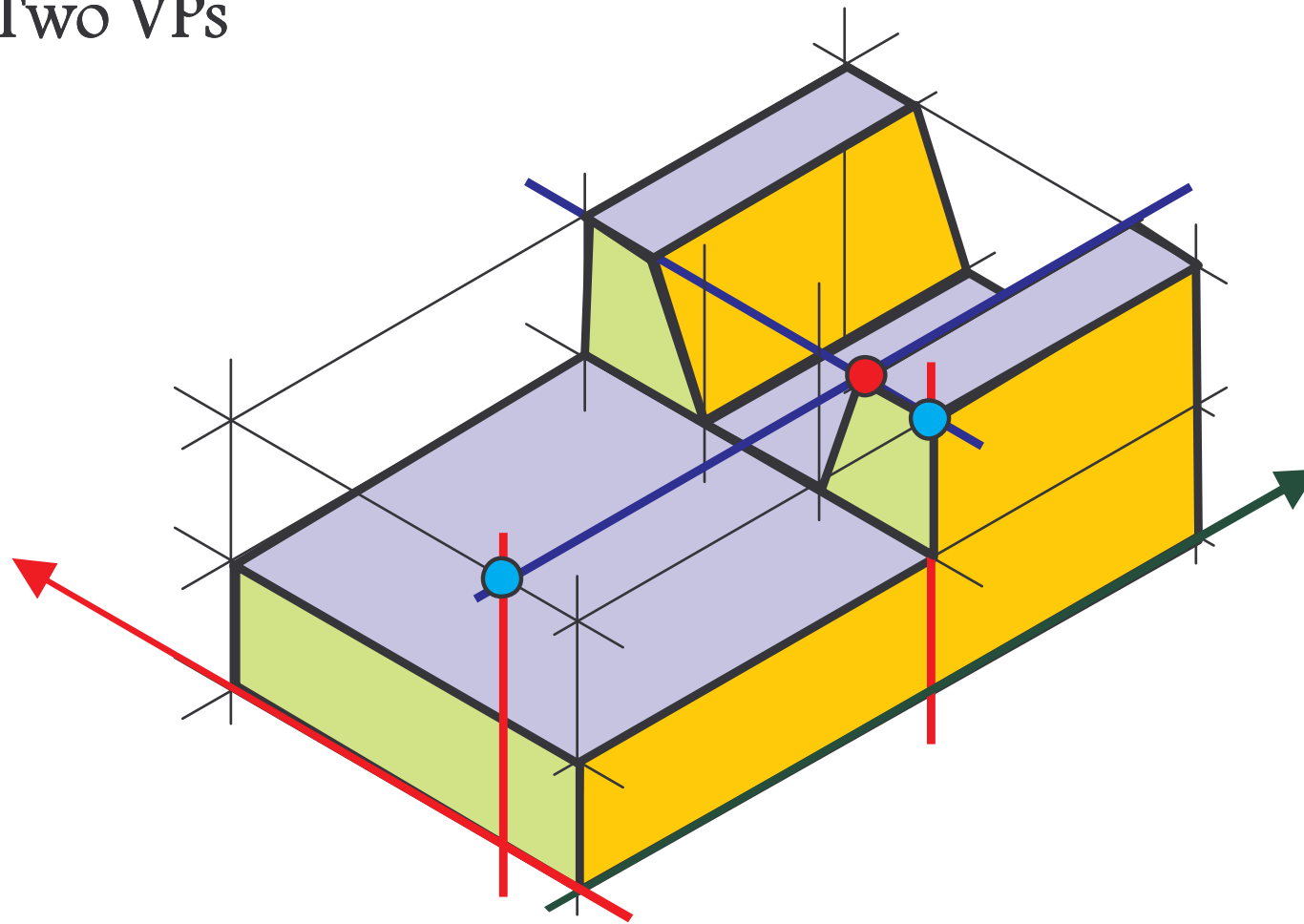


CONSTRUCTION

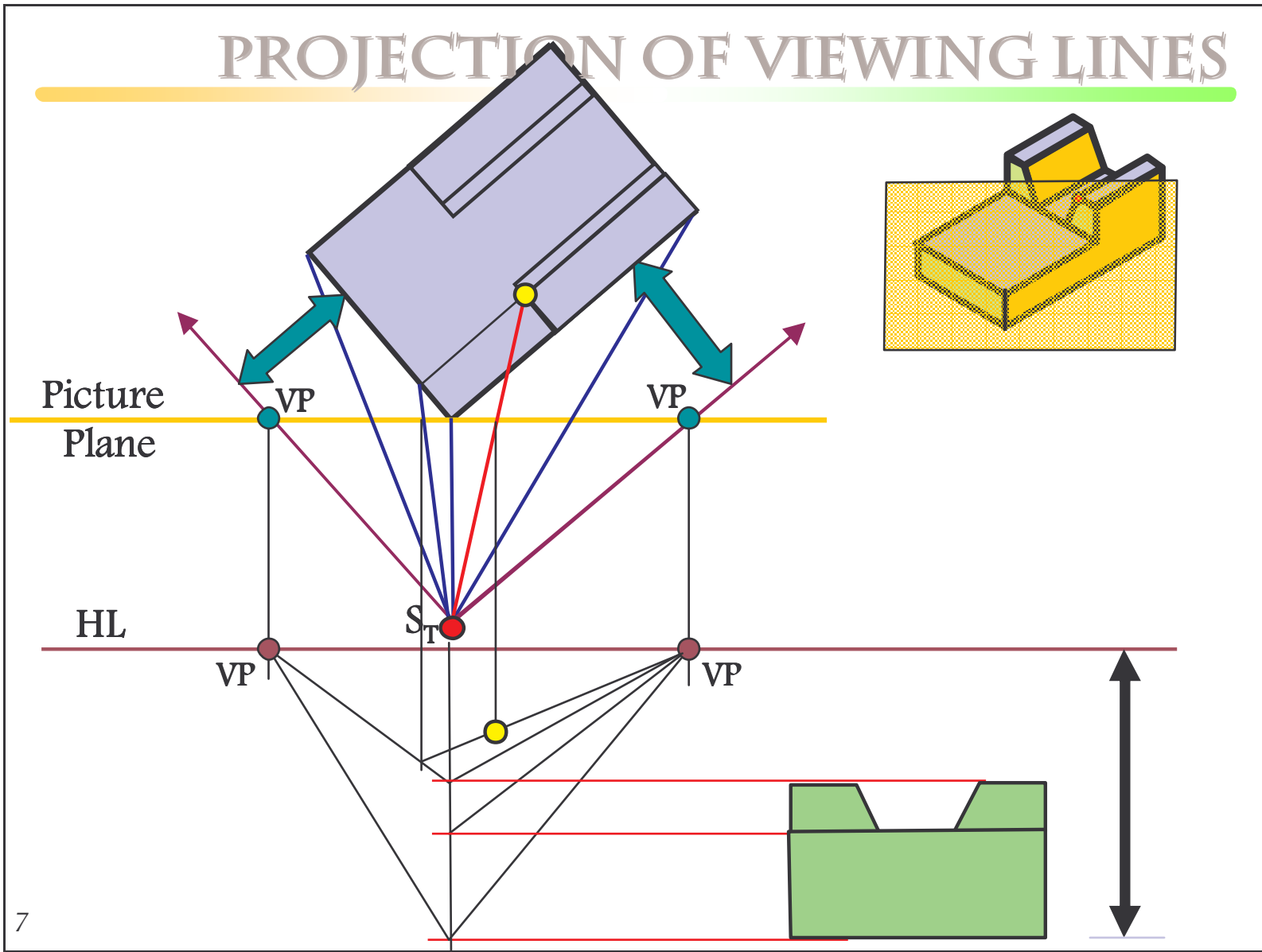
- Method
 - Intersection of Vanishing Lines
 - Intersection of
 - Projections of Viewing Lines on Picture Plane
 - Vanishing lines along one direction

CONSTRUCTION

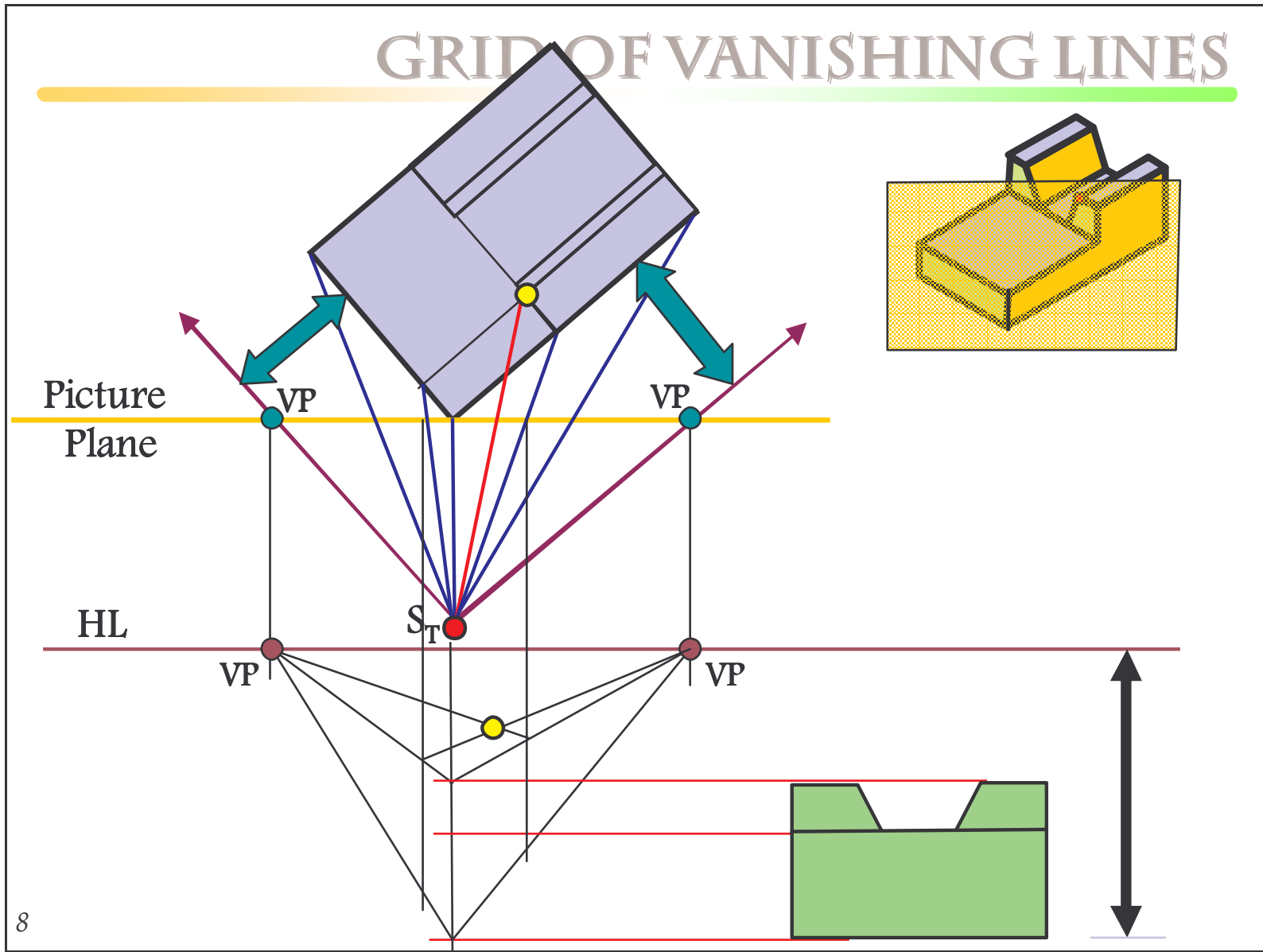
- Two VPs



PROJECTION OF VIEWING LINES



GRID OF VANISHING LINES

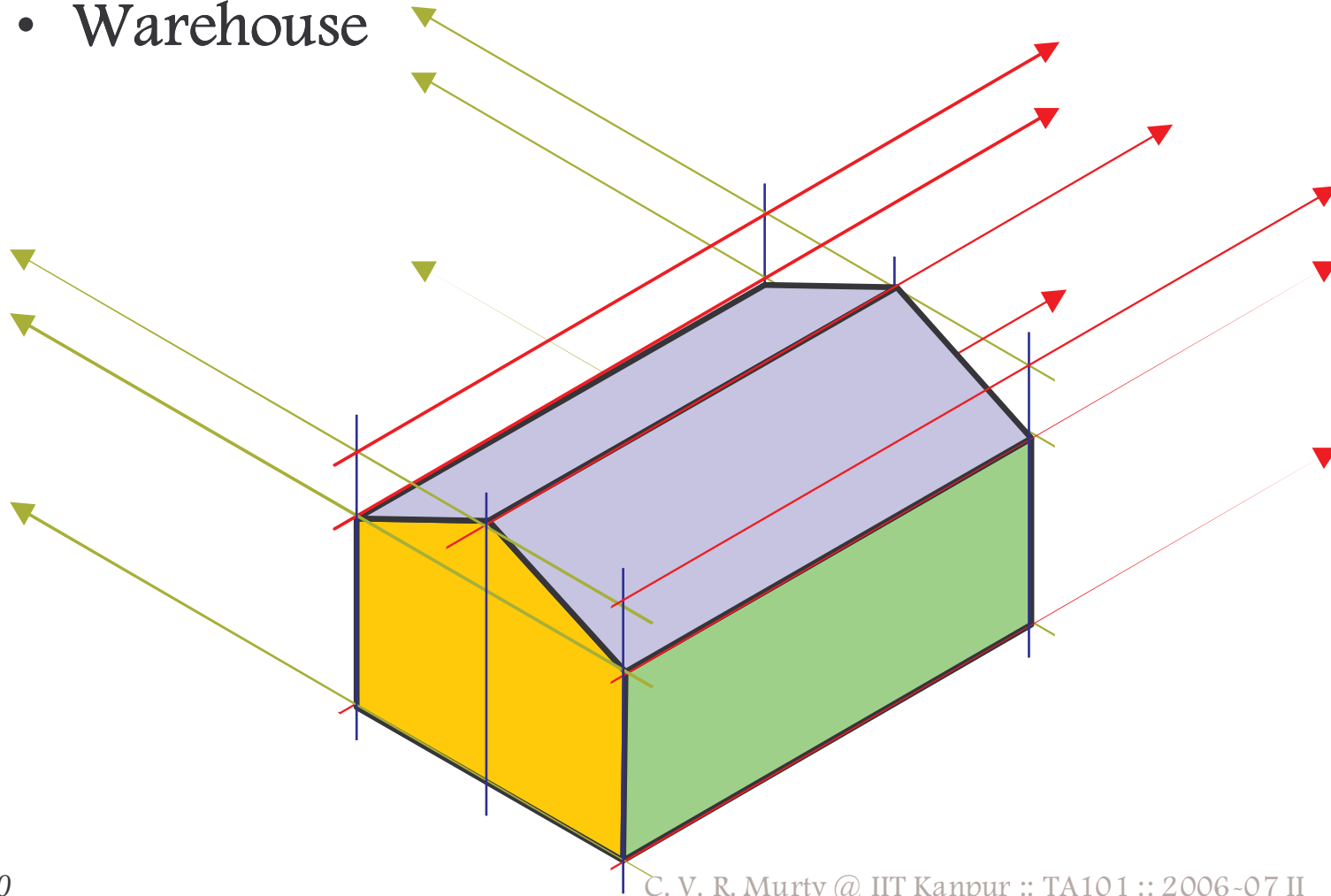




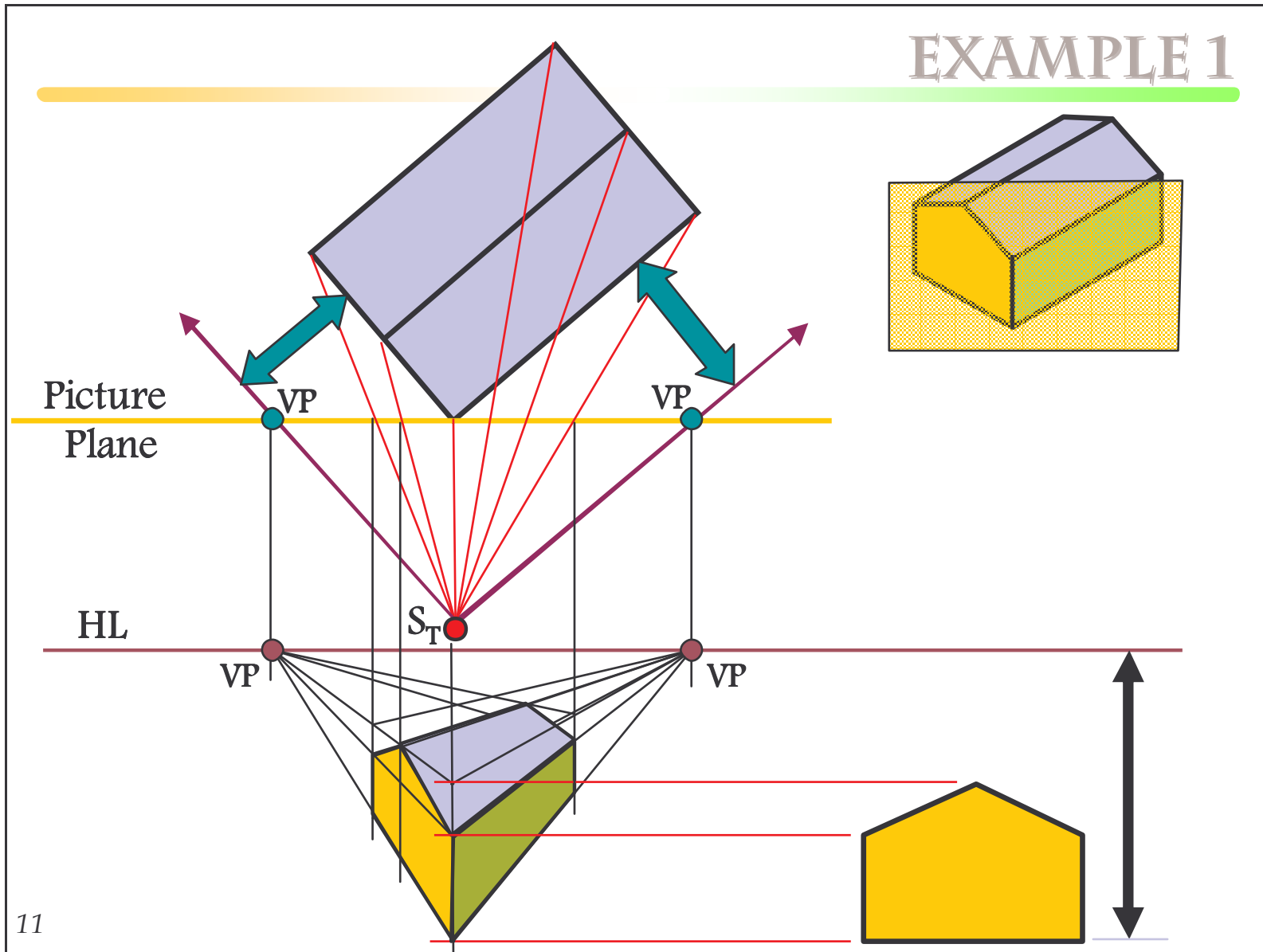
EXAMPLES

EXAMPLE 1

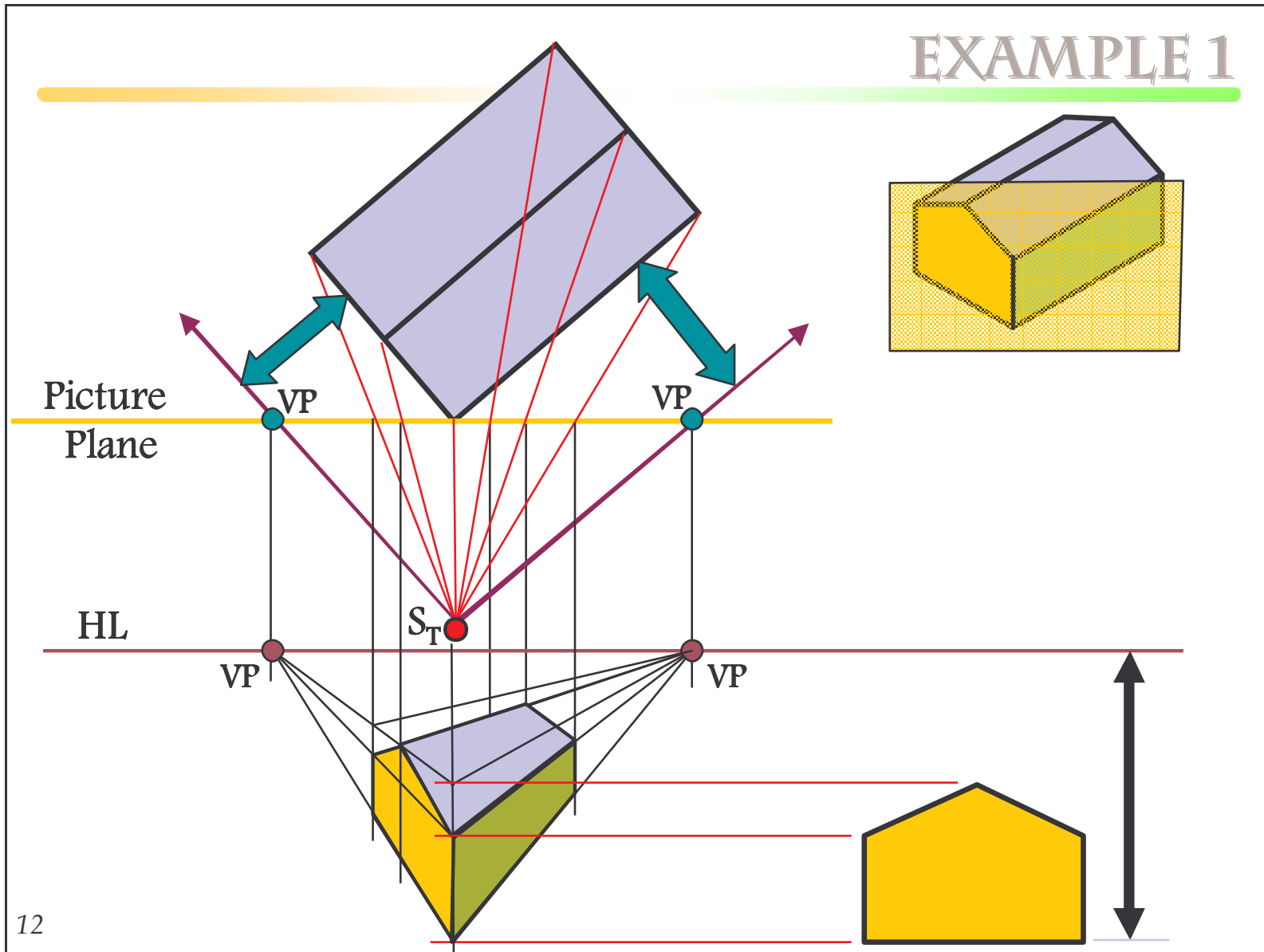
- Warehouse



EXAMPLE 1

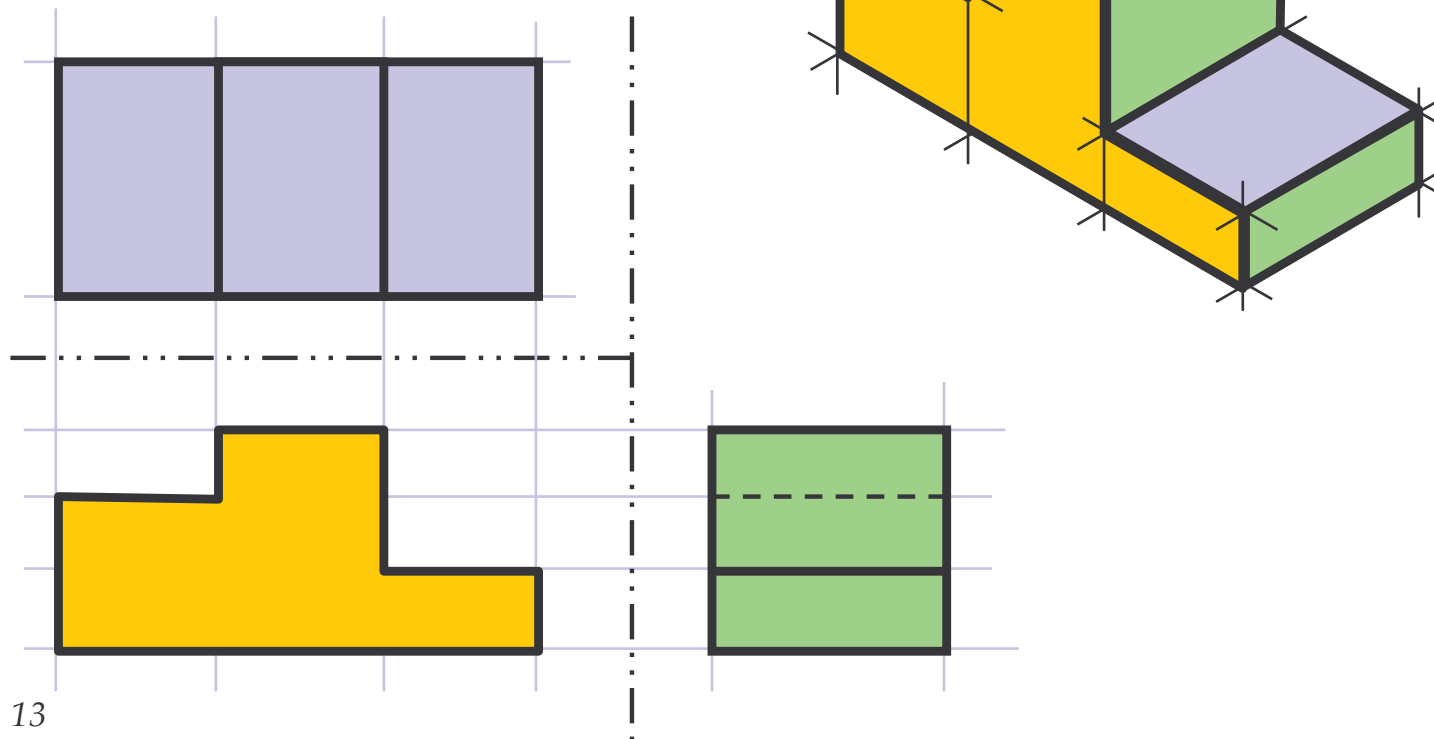


EXAMPLE 1



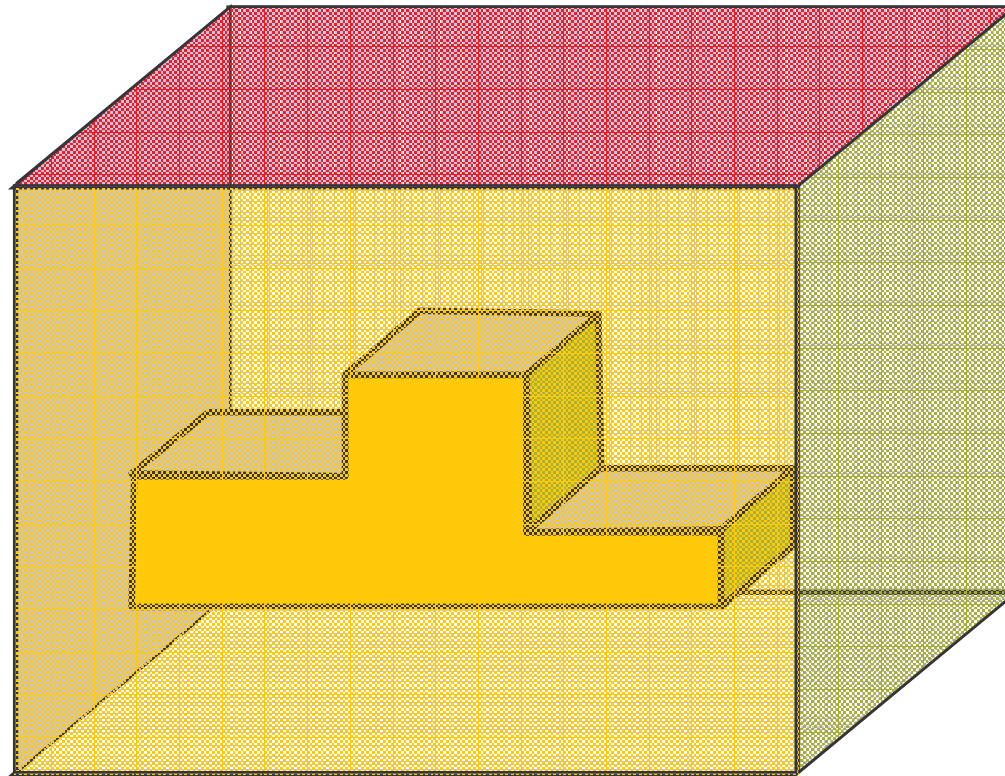
EXAMPLE 2

- Winners Stand



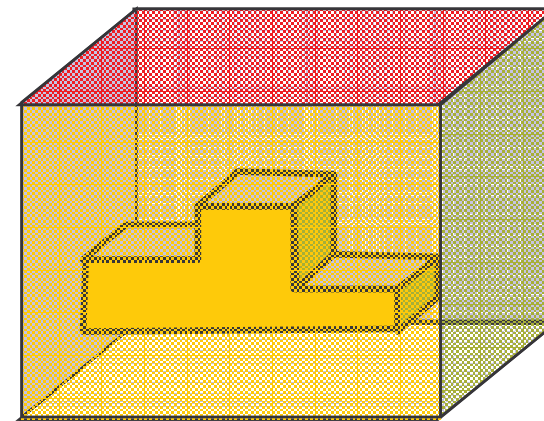
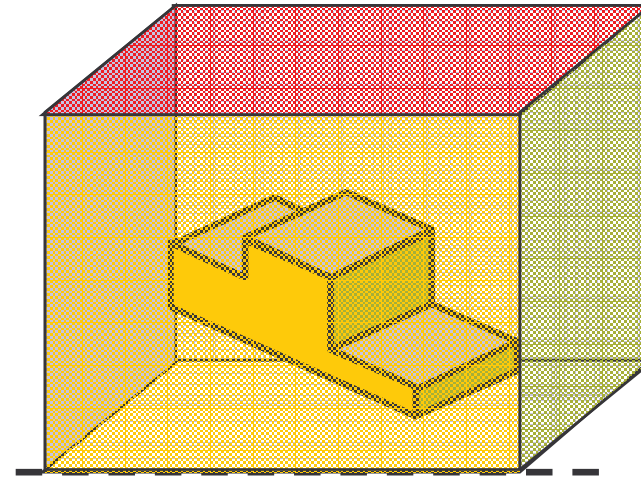
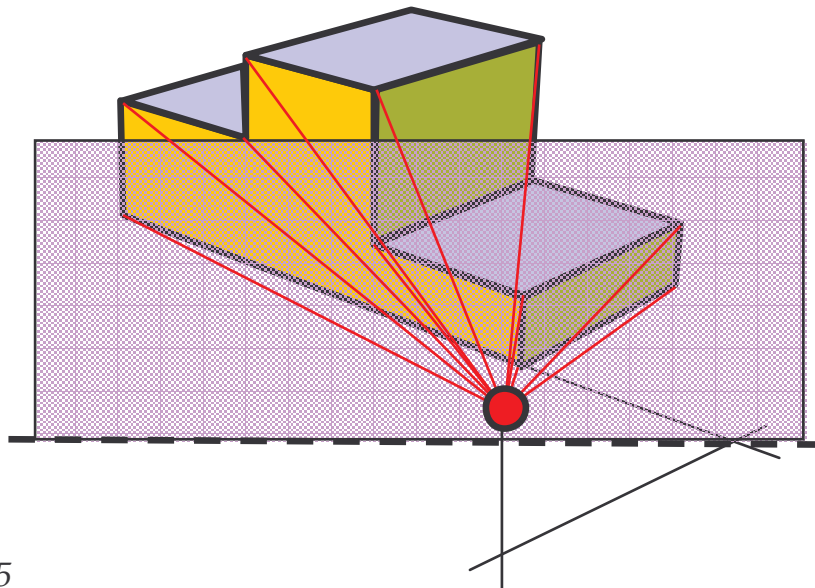
EXAMPLE 2

- Transparent Viewing Box
 - For Orthographic Projection



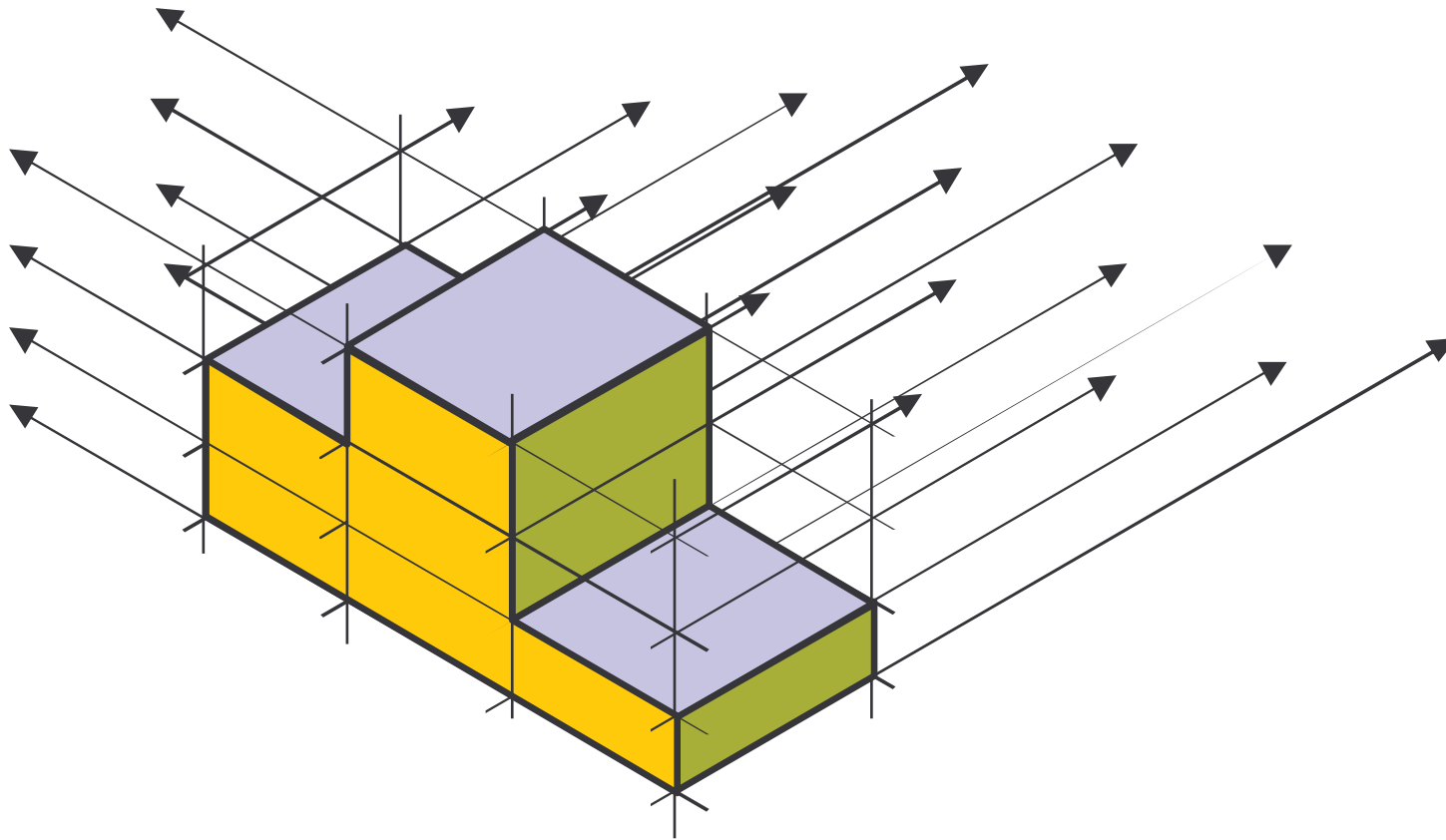
EXAMPLE 2

- Transparent Viewing Box
 - For Perspective View

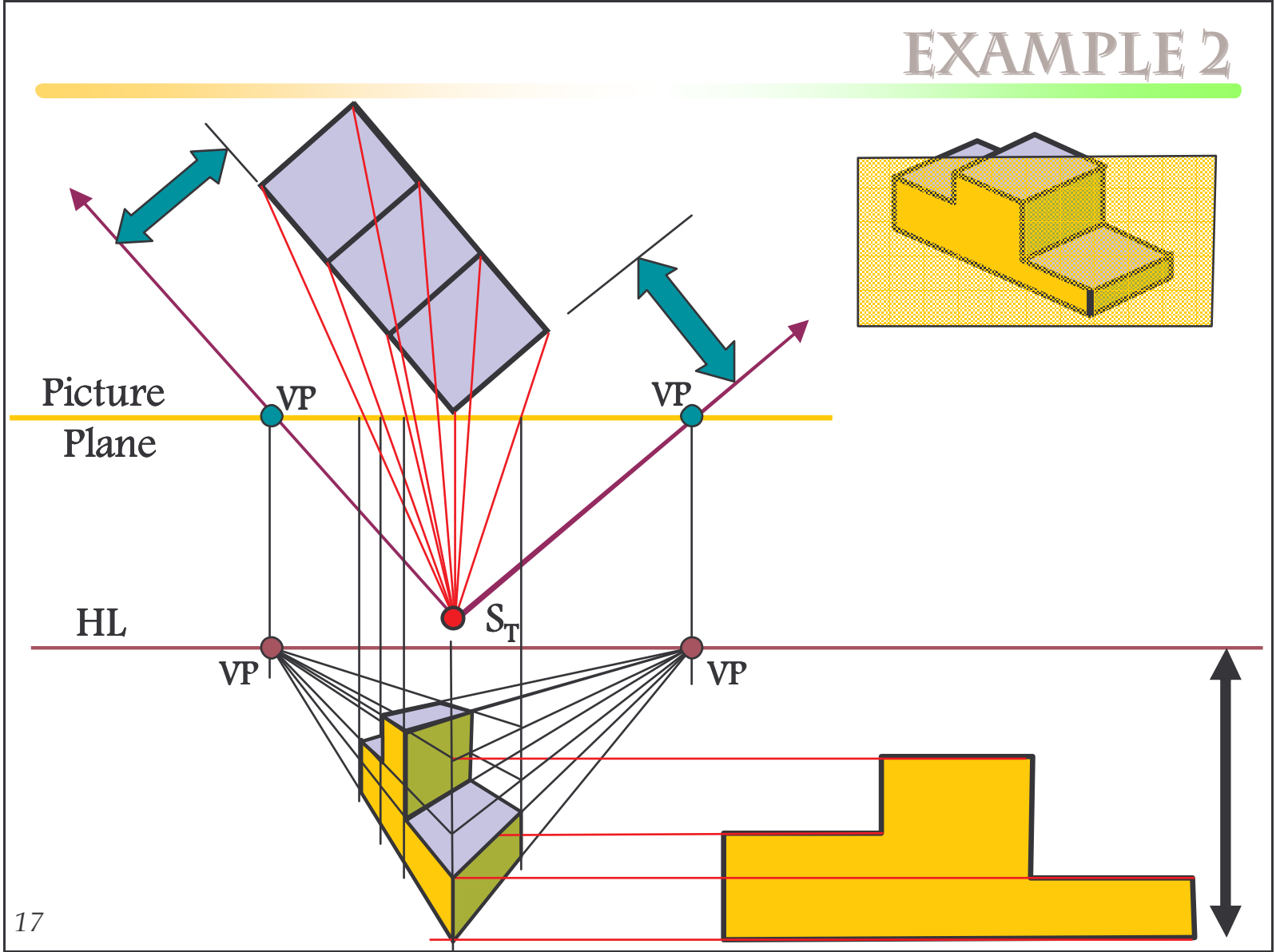


EXAMPLE 2

- Vanishing lines

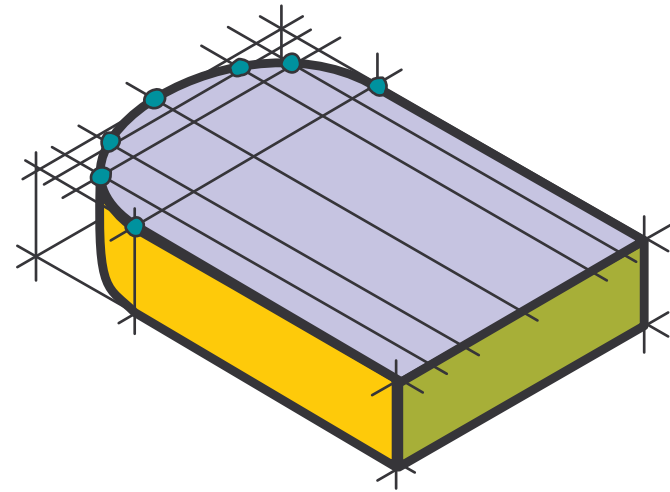
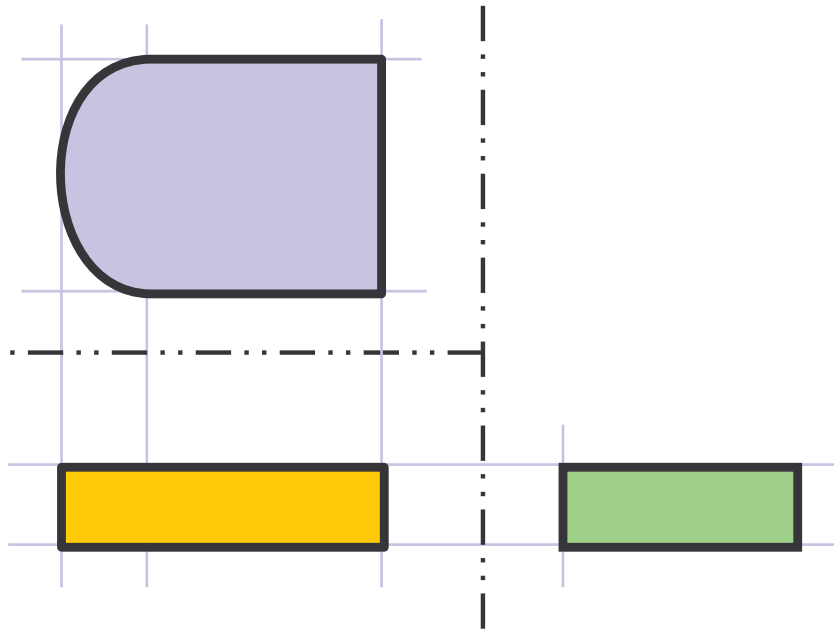


EXAMPLE 2

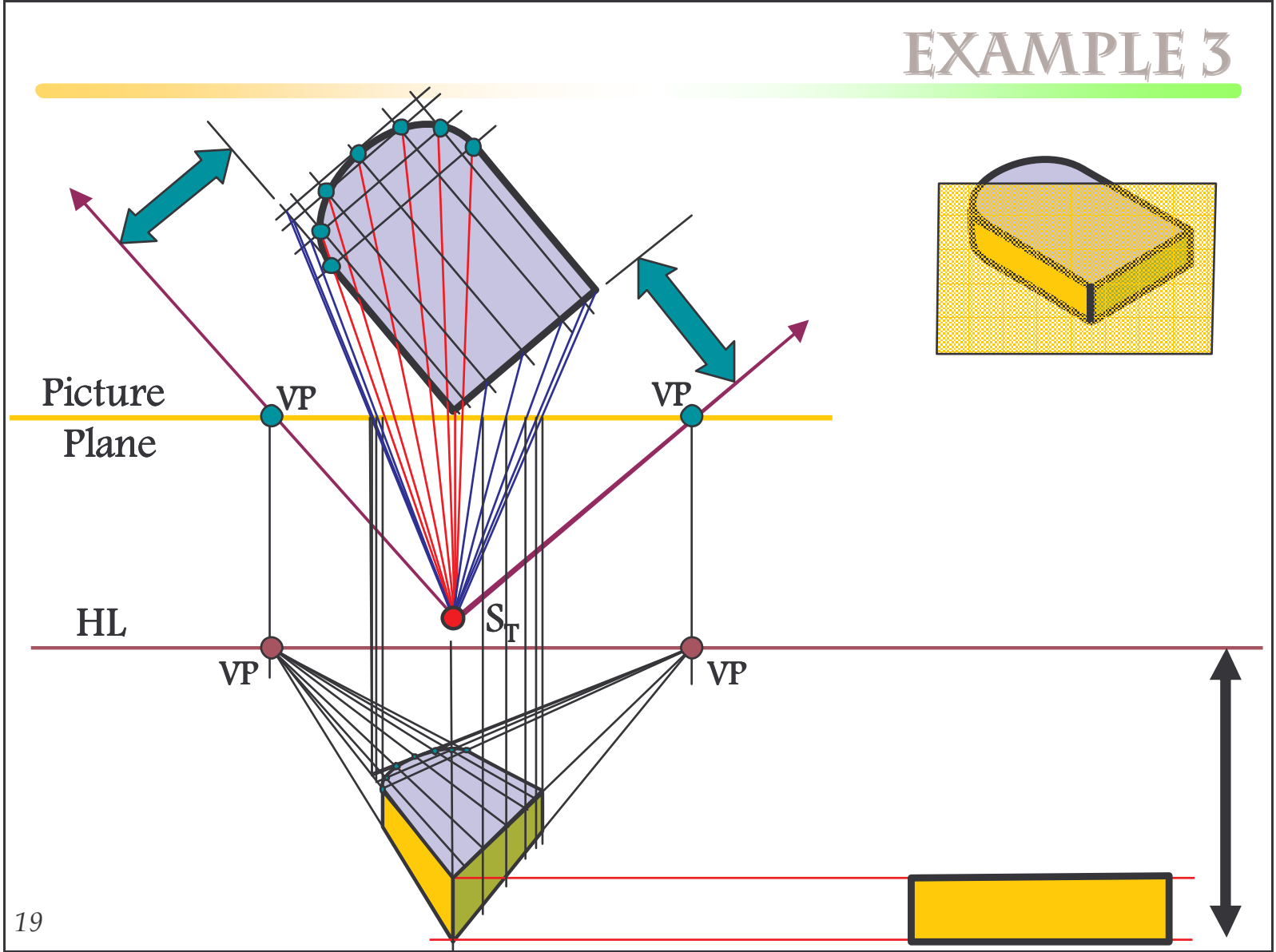


EXAMPLE 3

- Bread slice

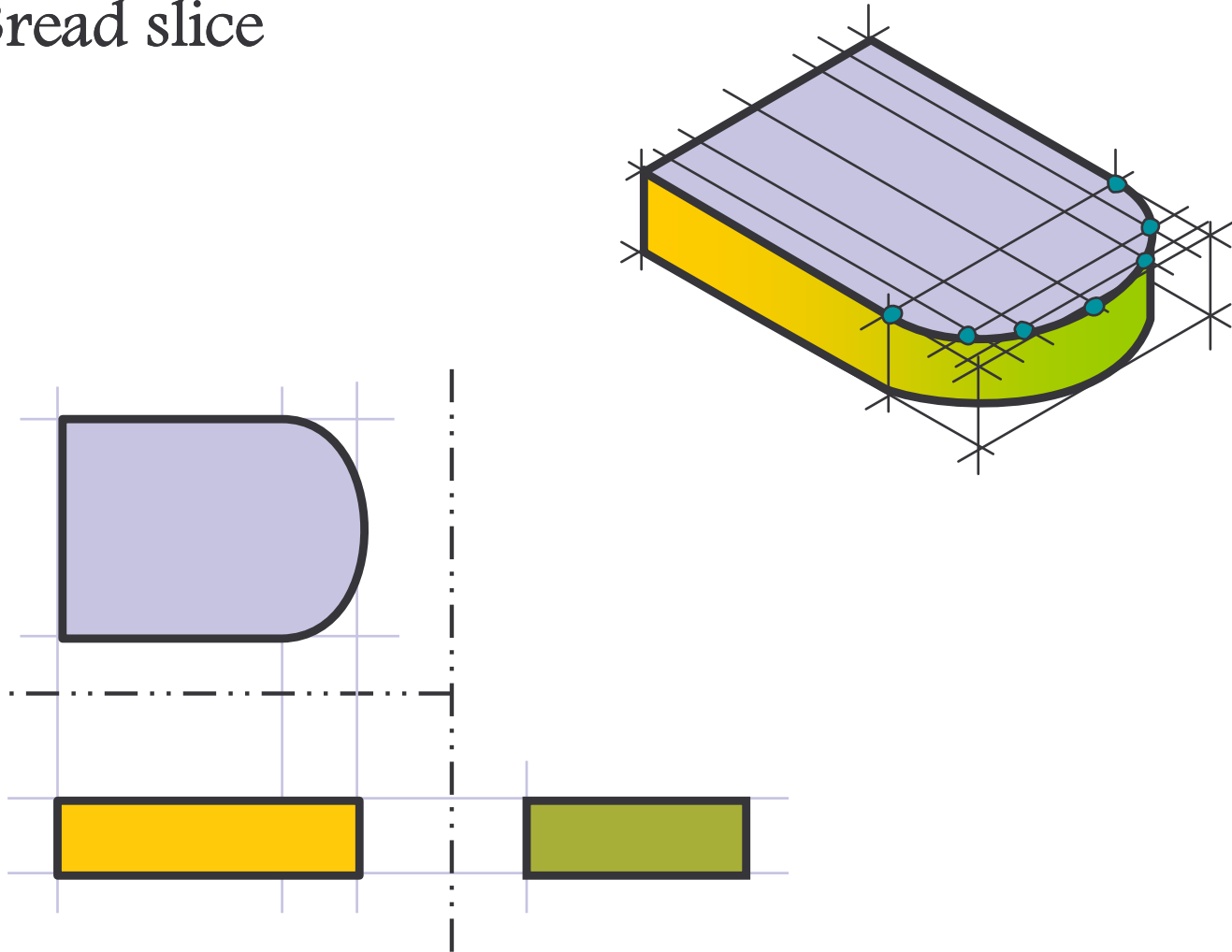


EXAMPLE 3

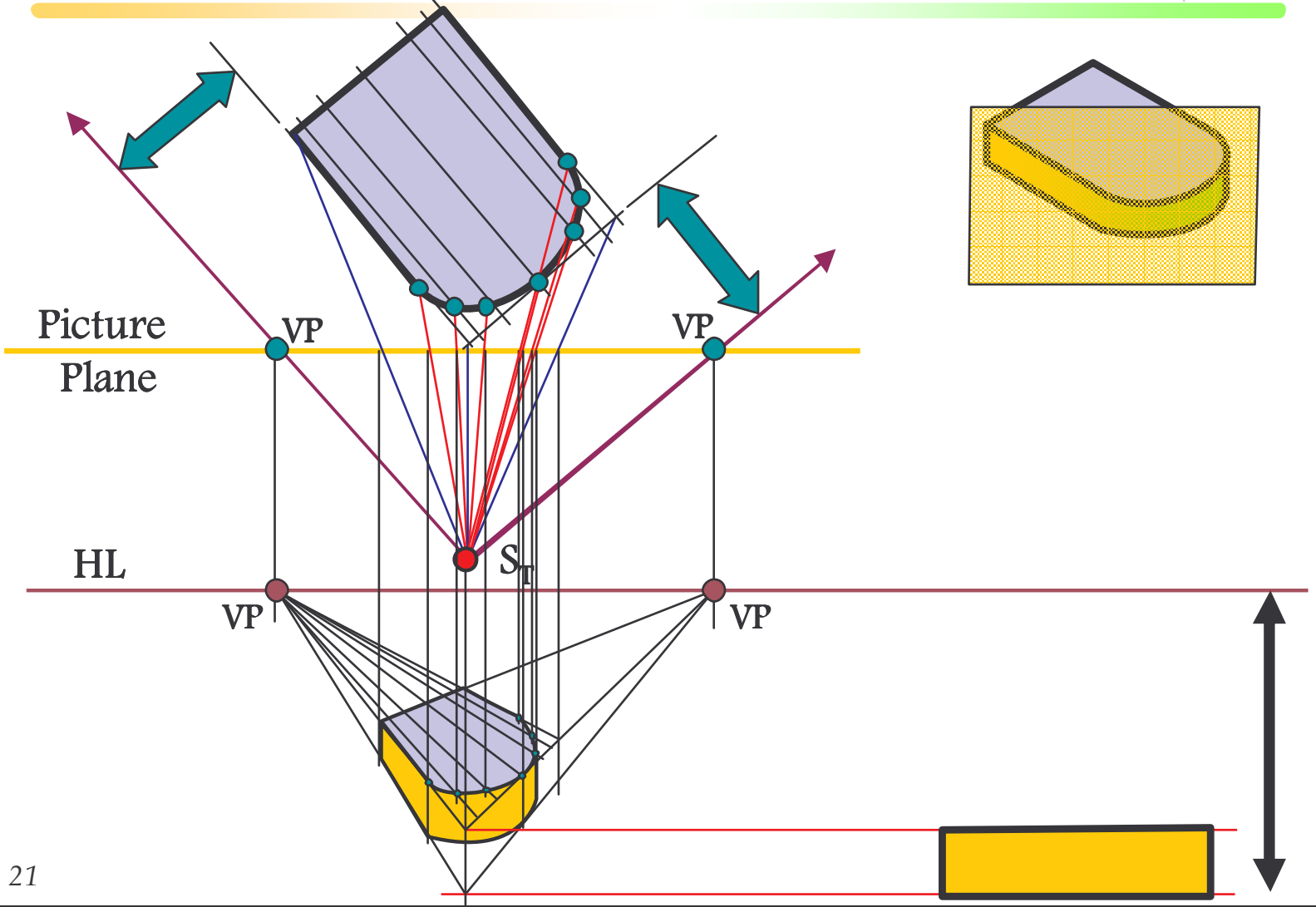


EXAMPLE 4

- Bread slice

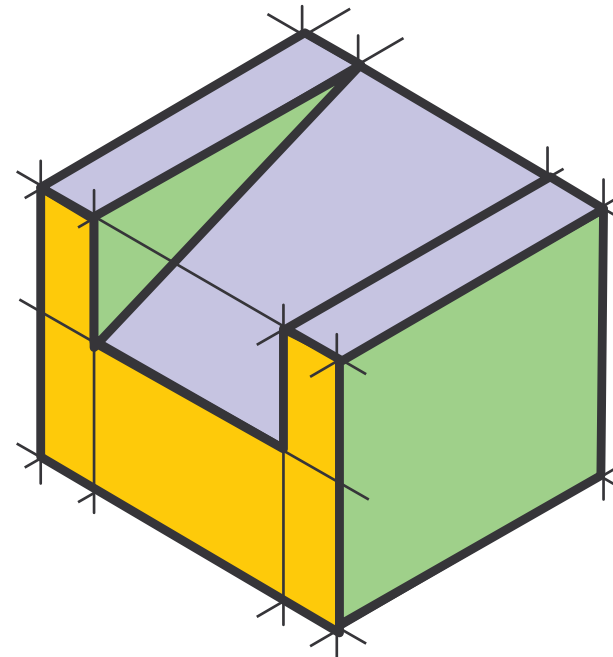
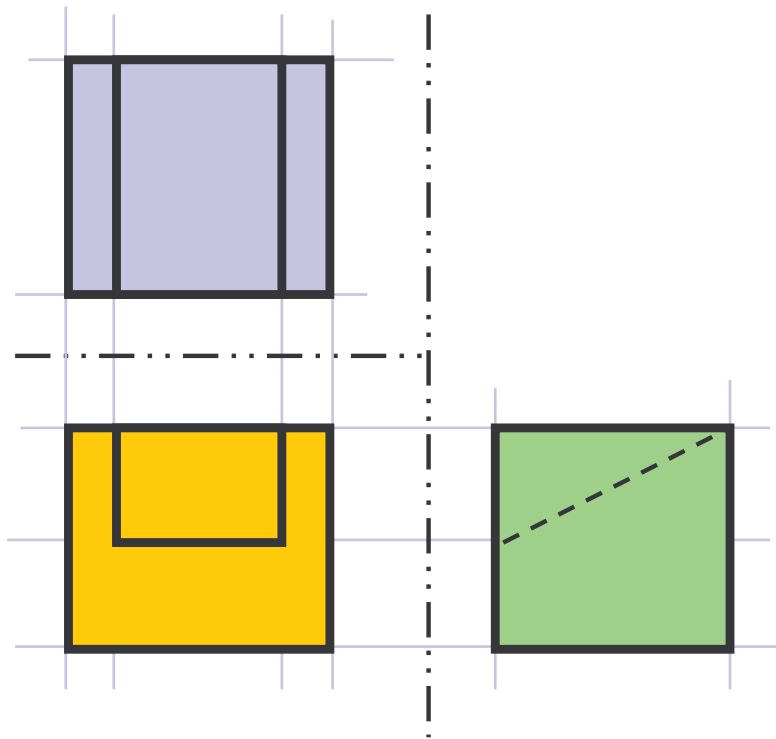


EXAMPLE 4

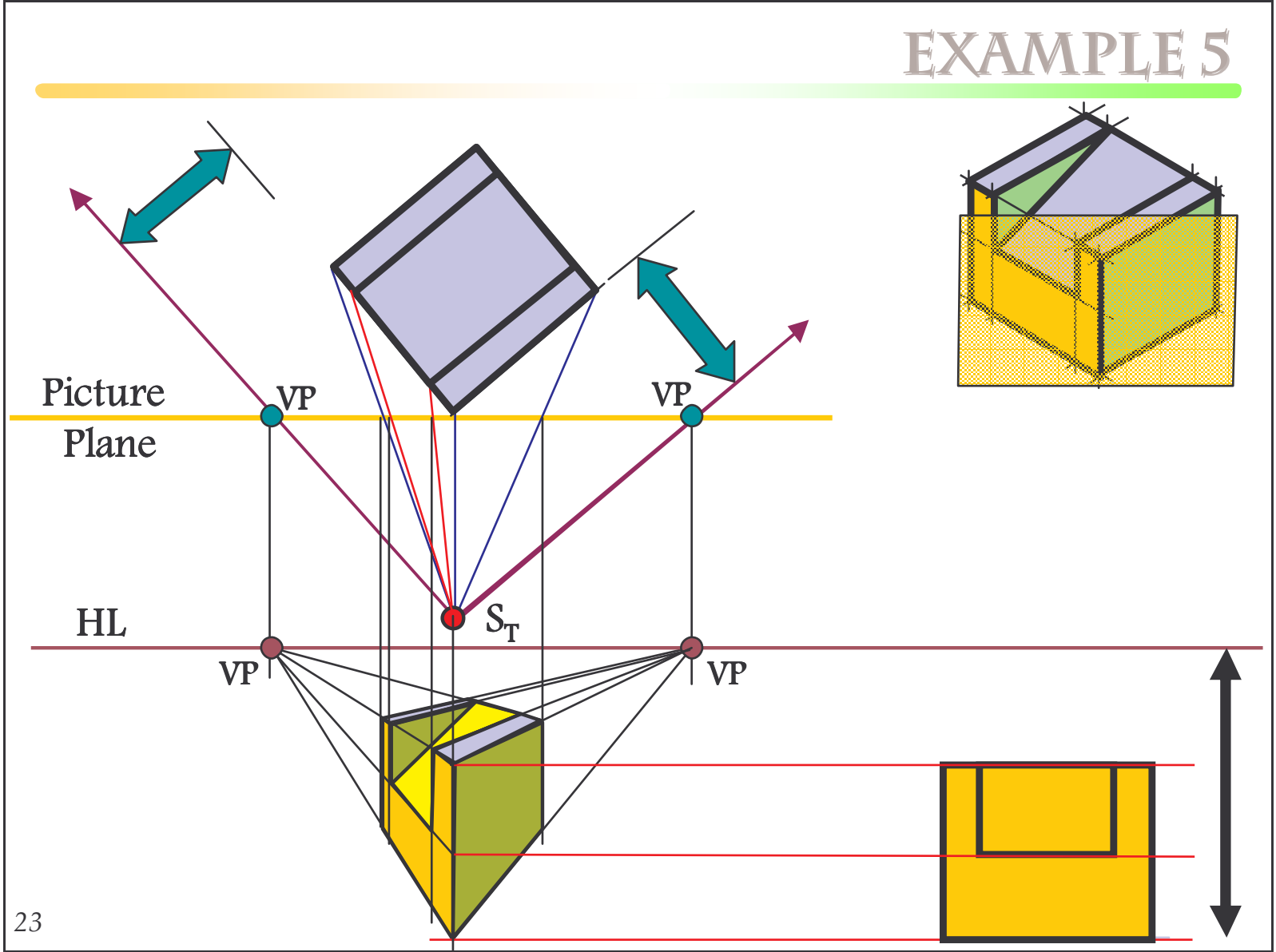


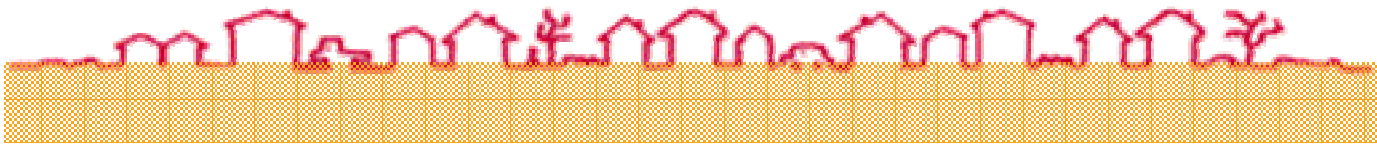
EXAMPLE 5

- Bread slice



EXAMPLE 5





Have a Great Day!!

