

## Lecture 16

# PERSPECTIVE VIEWS

## :: MORE EXAMPLES



TA 101 : Engineering Graphics

2007-08 Semester II

January – May 2008

# OUTLINE

- Examples

- 1 VP

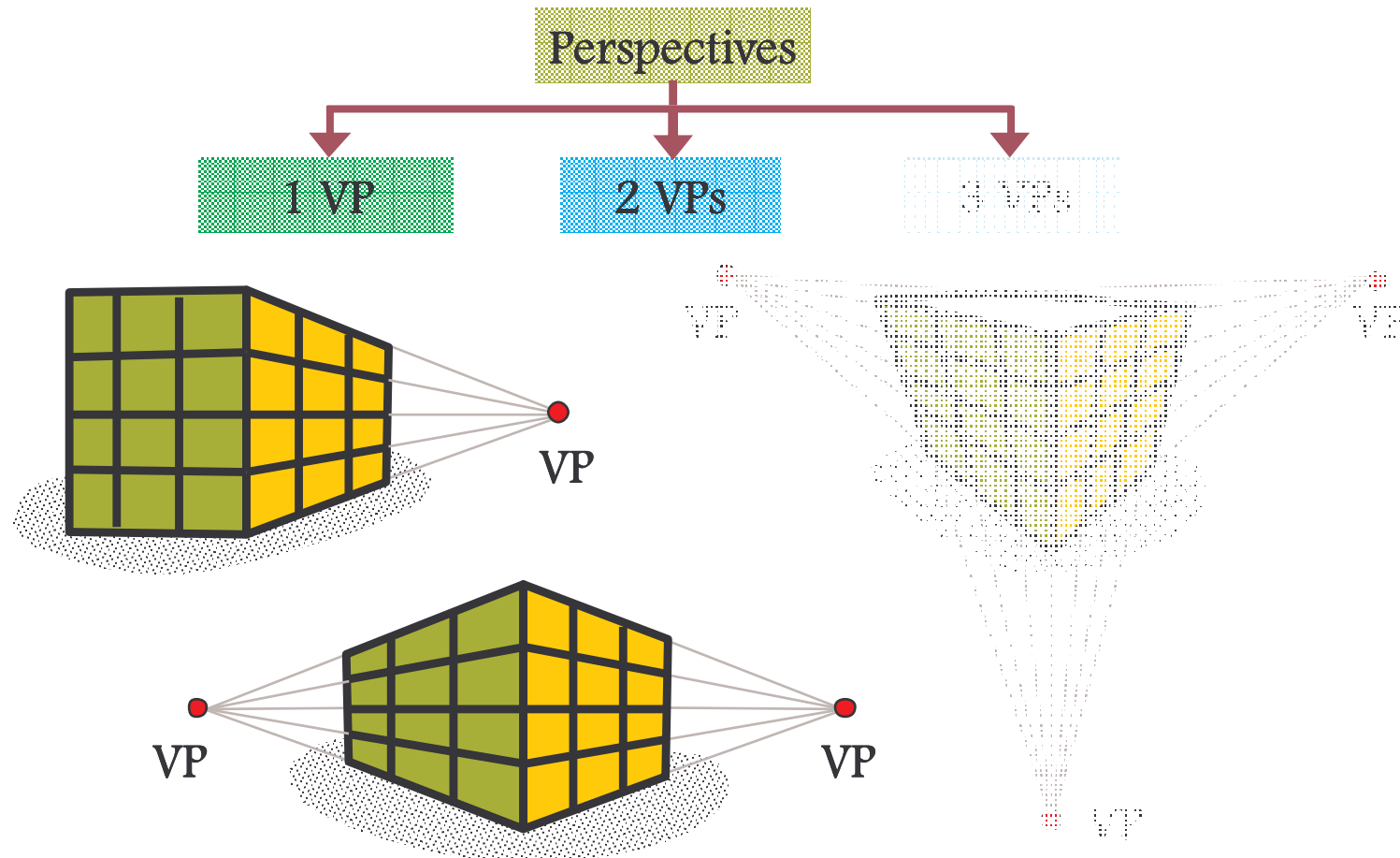
- 2 VPs



1 VP & 2 VP<sub>s</sub>

# CLASSIFICATION

- Perspective Views



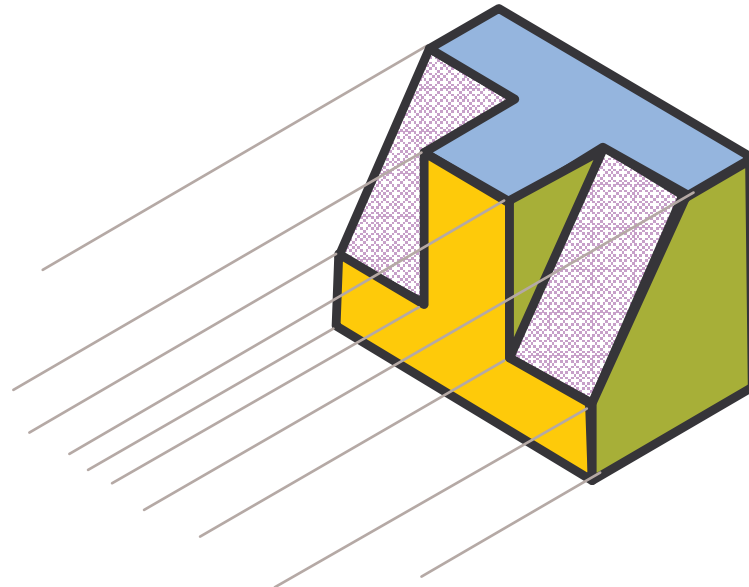
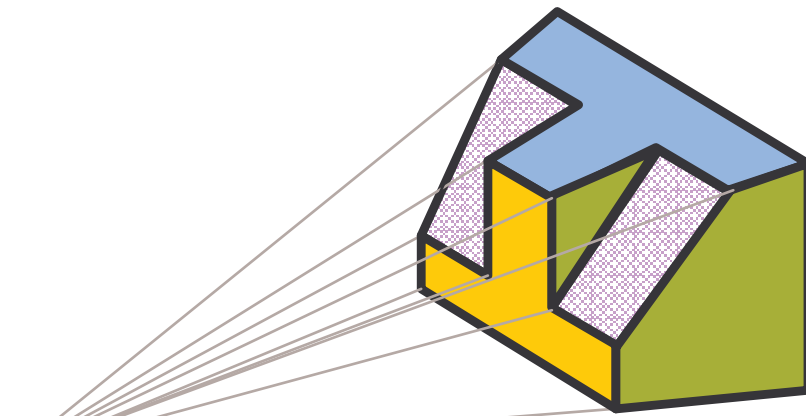
# CLASSIFICATION

- Pictorial views

## Pictorial Views

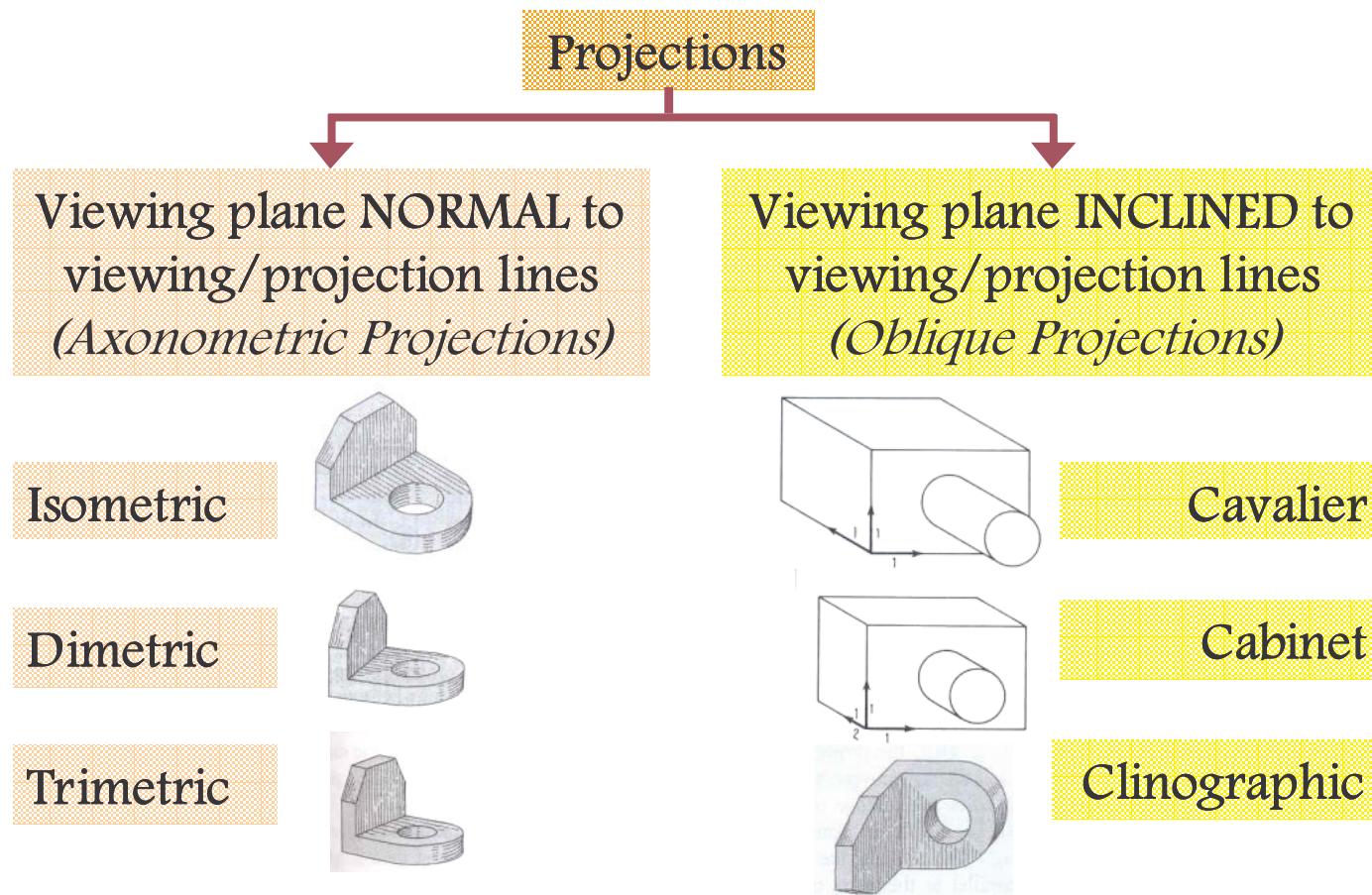
Viewing lines converge  
at a point  
*(Perspectives)*

All viewing lines  
are parallel  
*(Projections)*



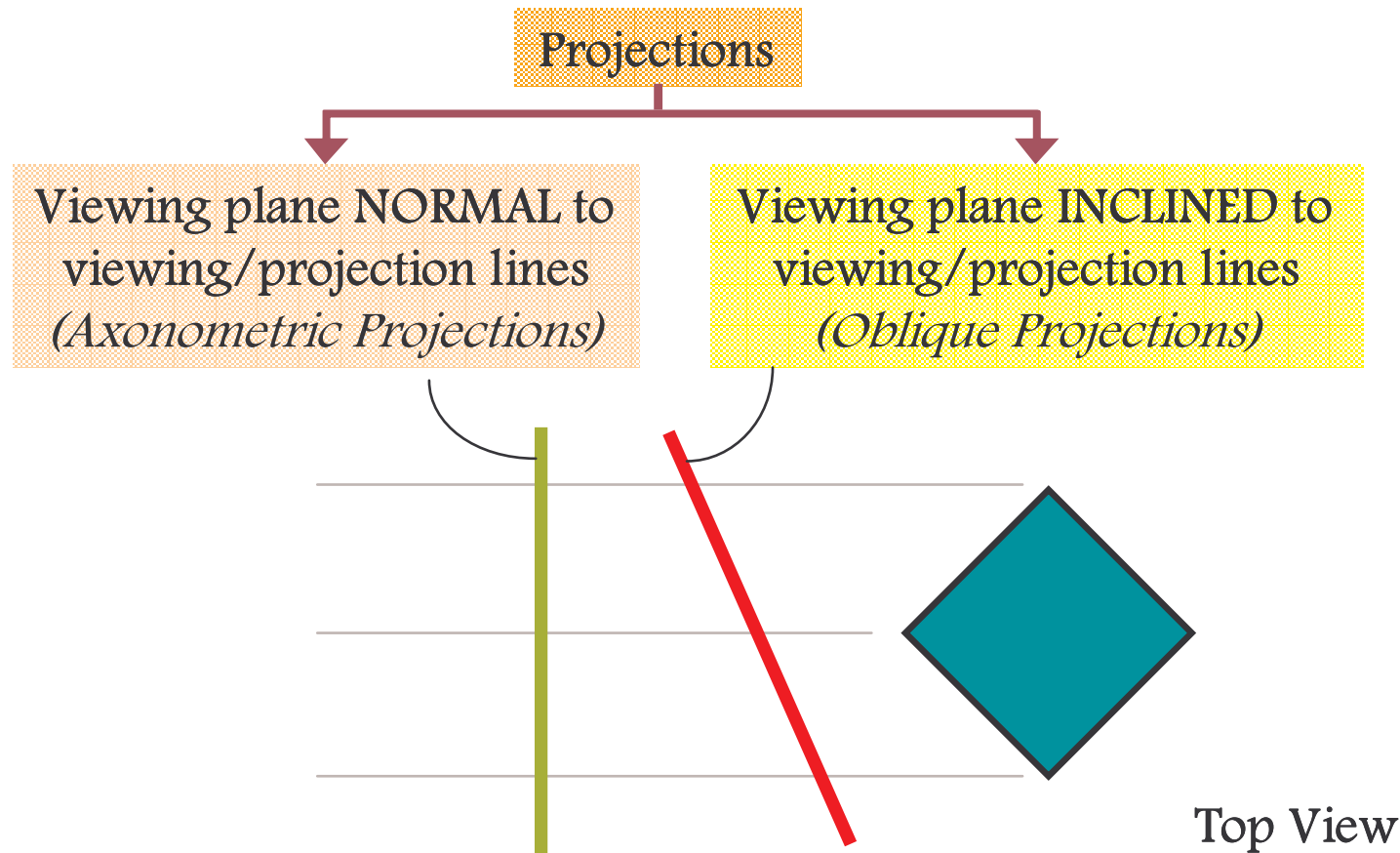
# CLASSIFICATION

- Projections



# CLASSIFICATION

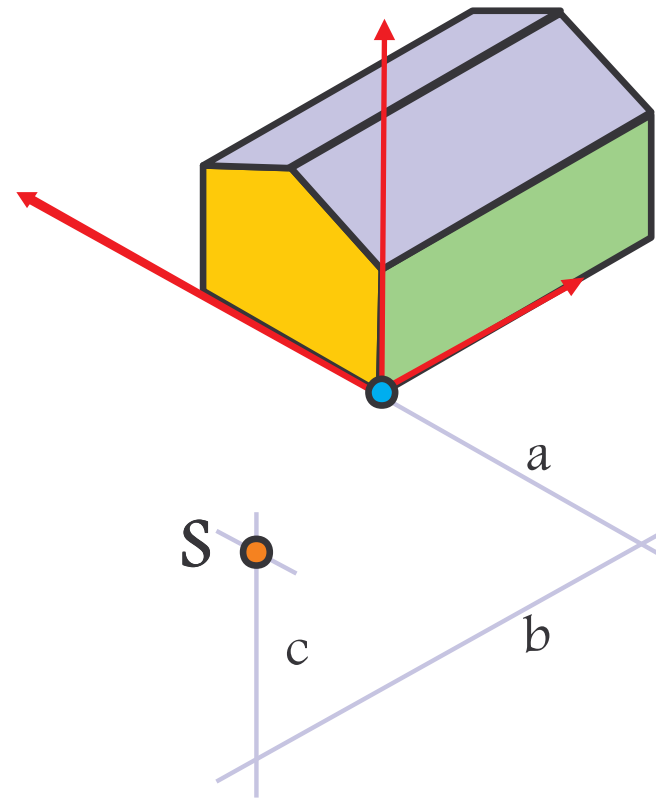
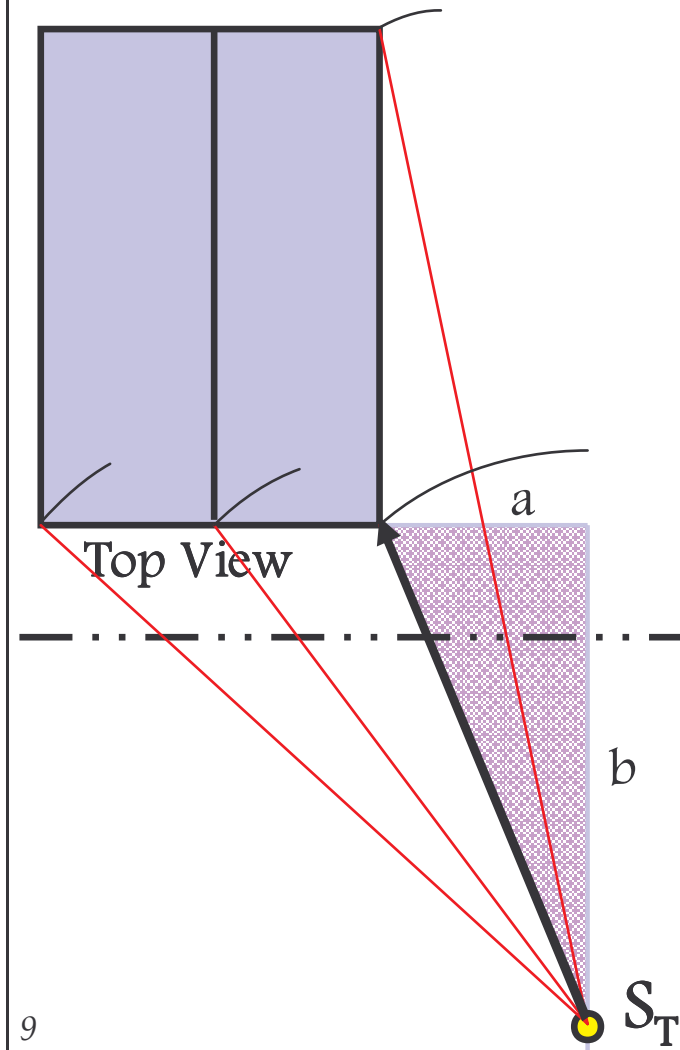
- Projections



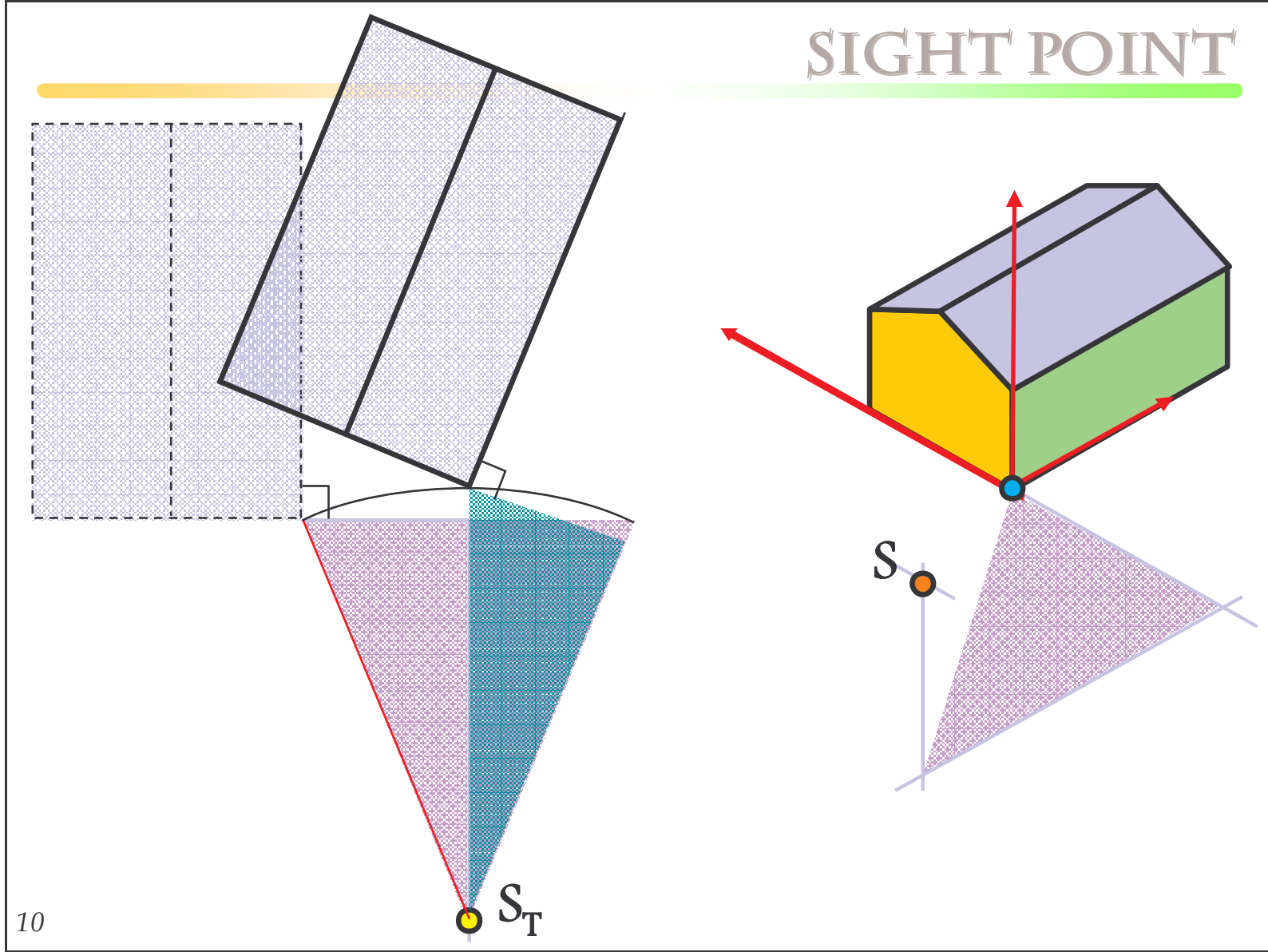




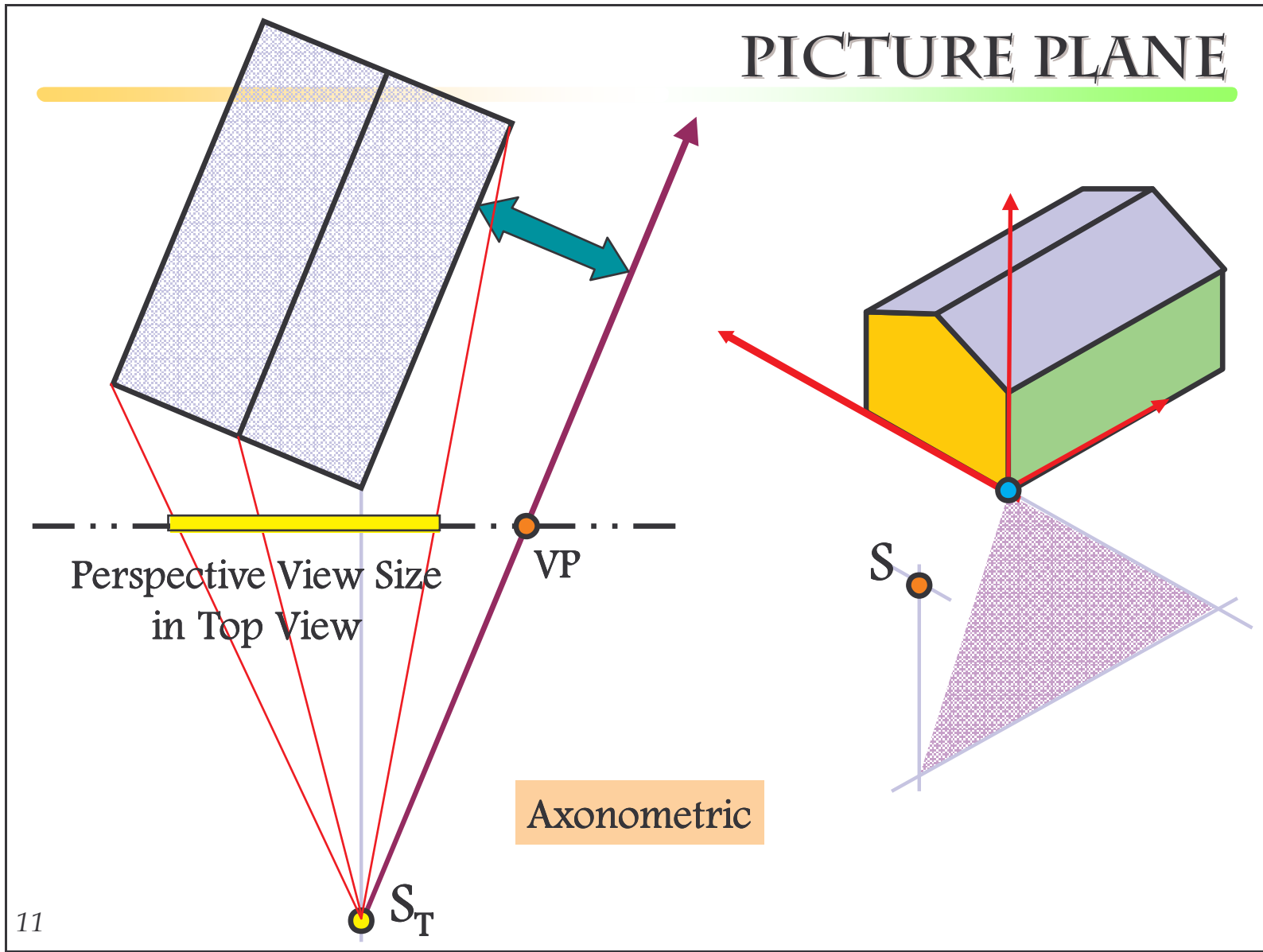
# SIGHT POINT



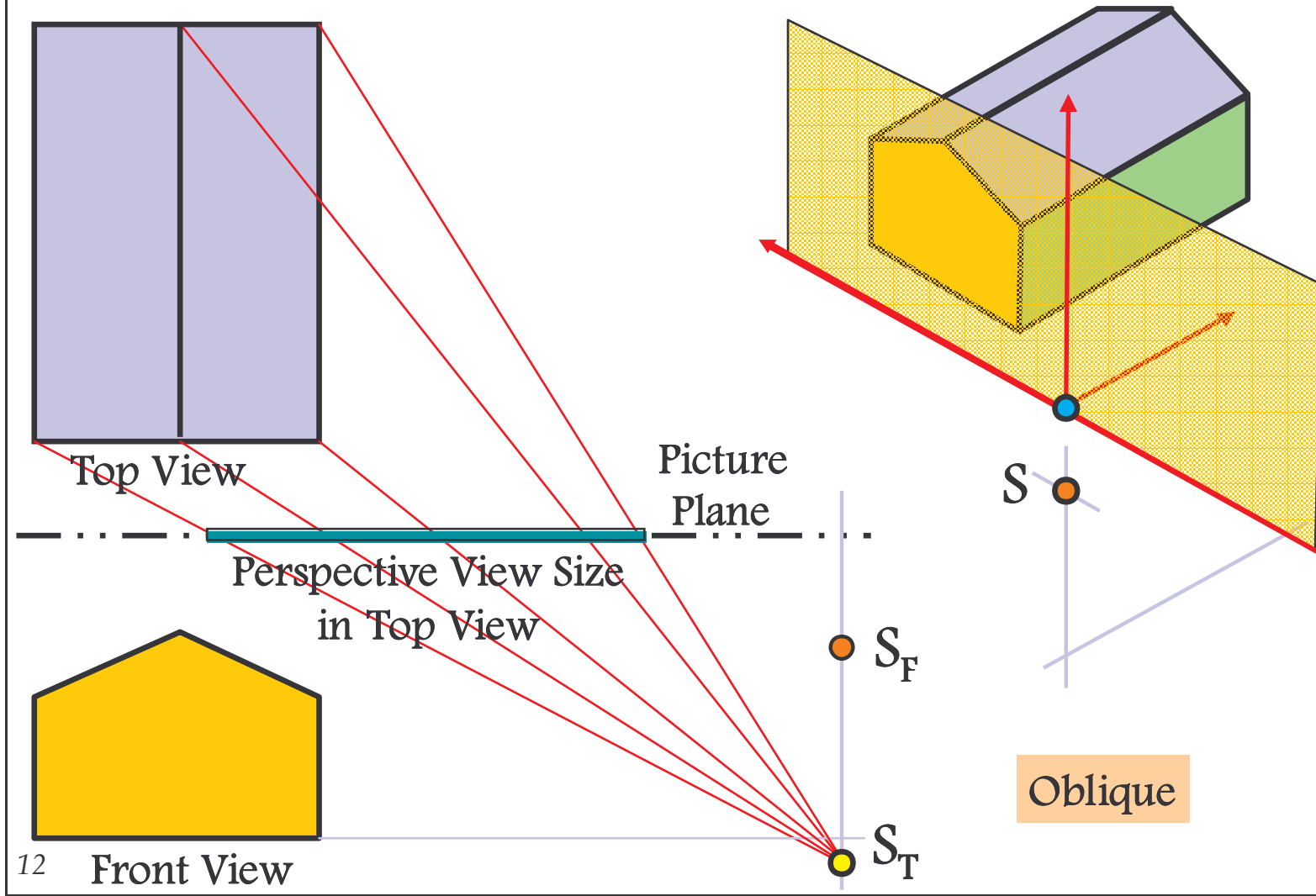
# SIGHT POINT



# PICTURE PLANE



# PICTURE PLANE



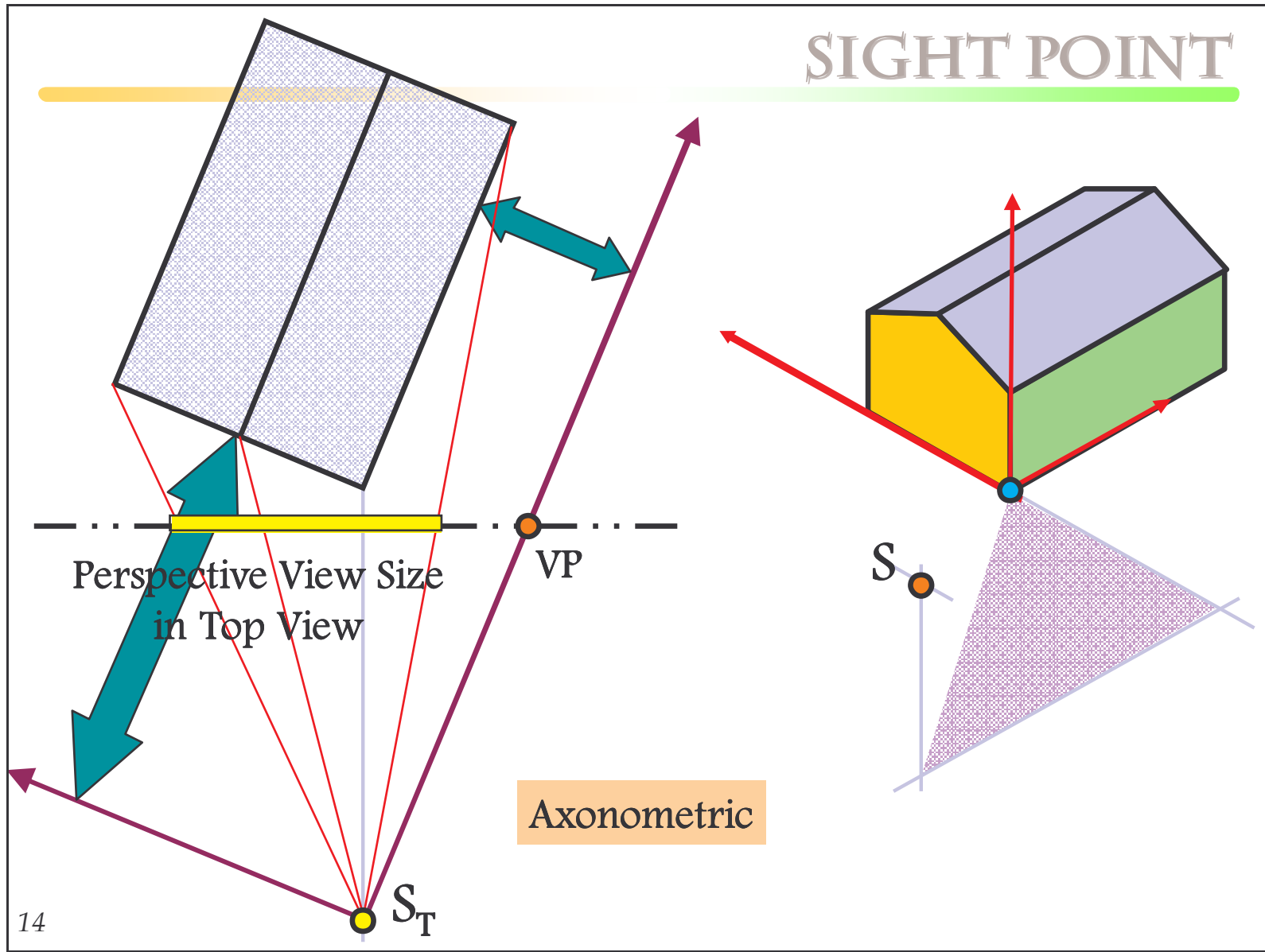
12

Front View



2 VPs

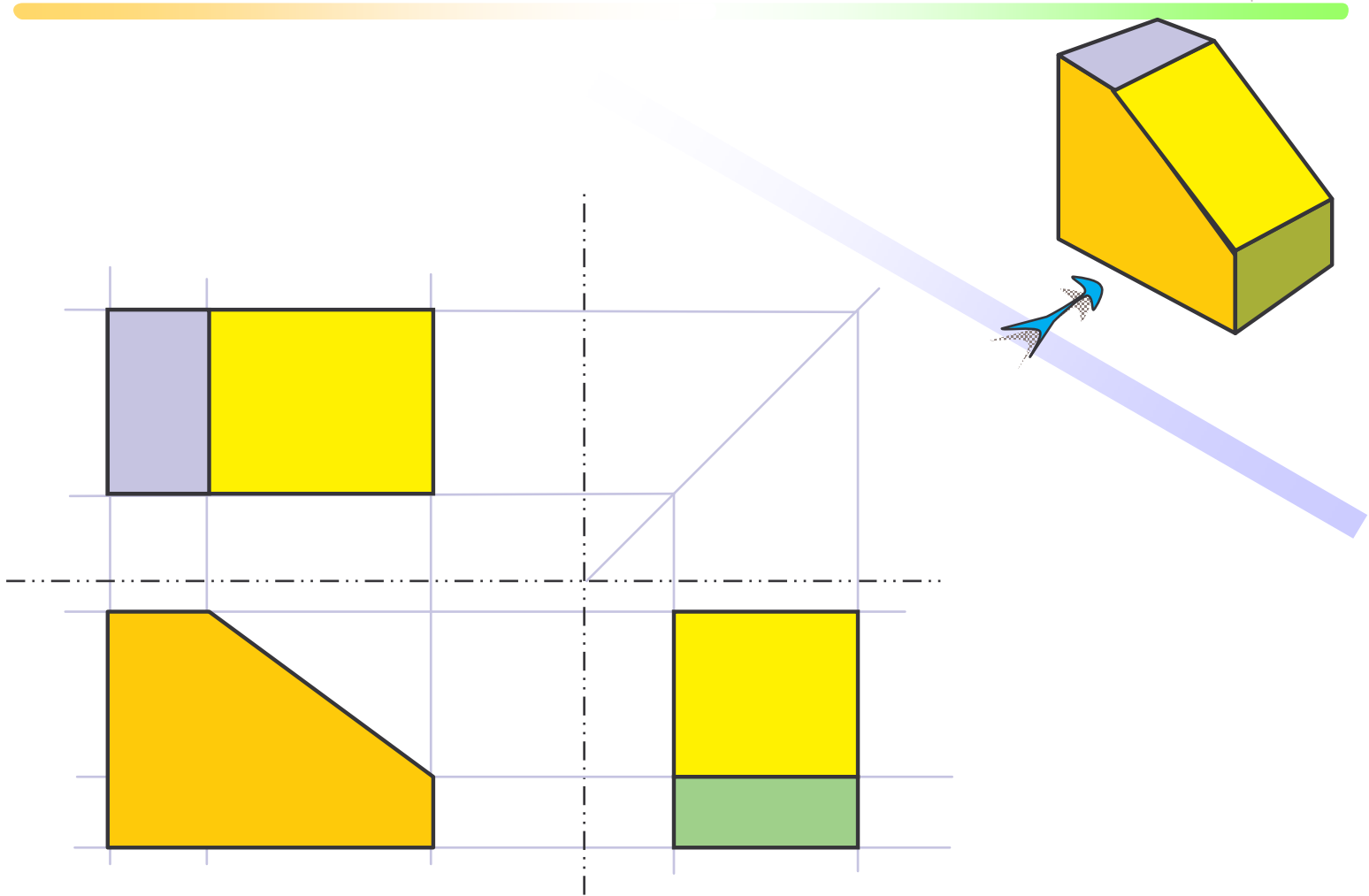
# SIGHT POINT





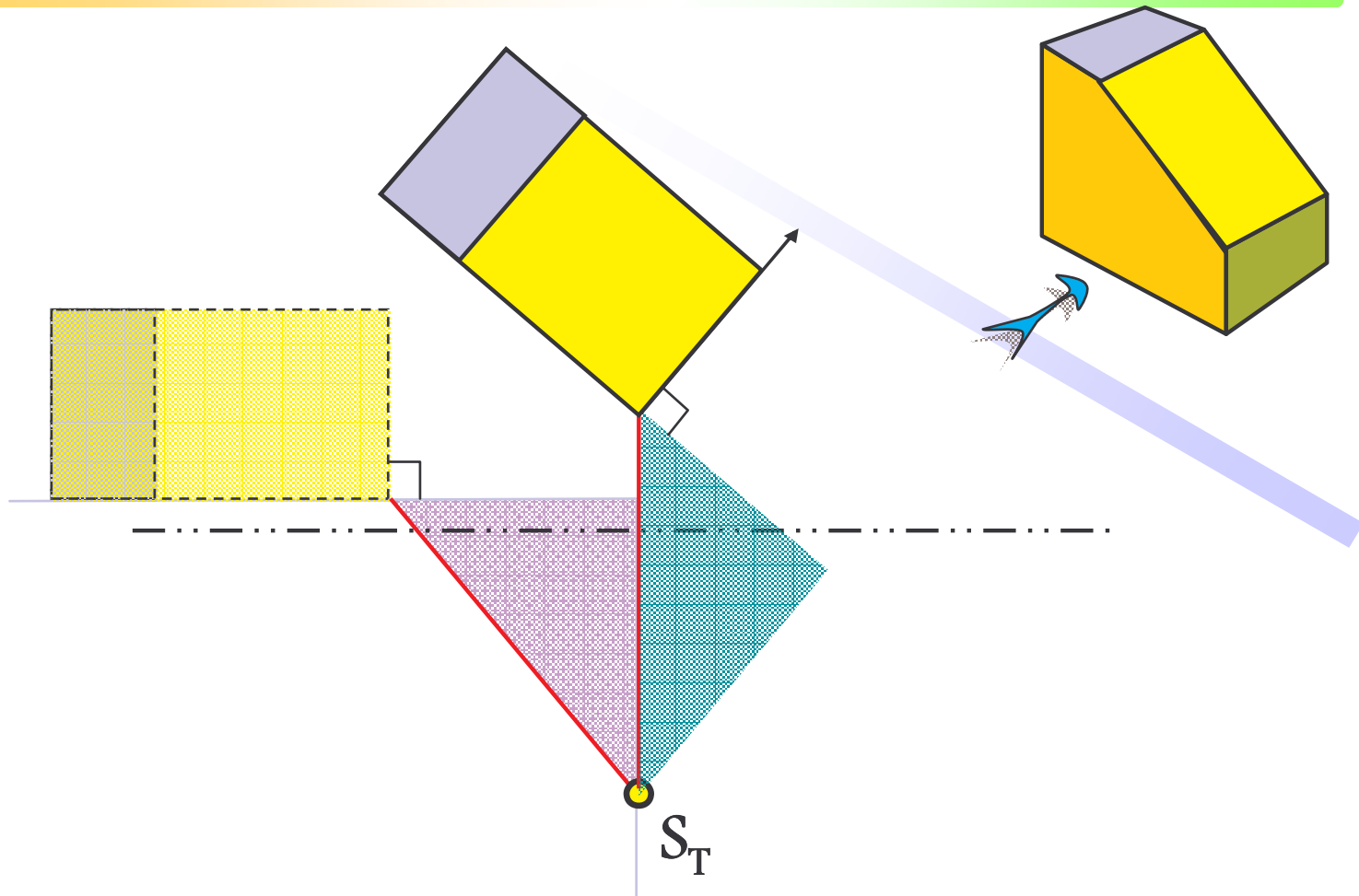
# EXAMPLES

# EXAMPLE 1

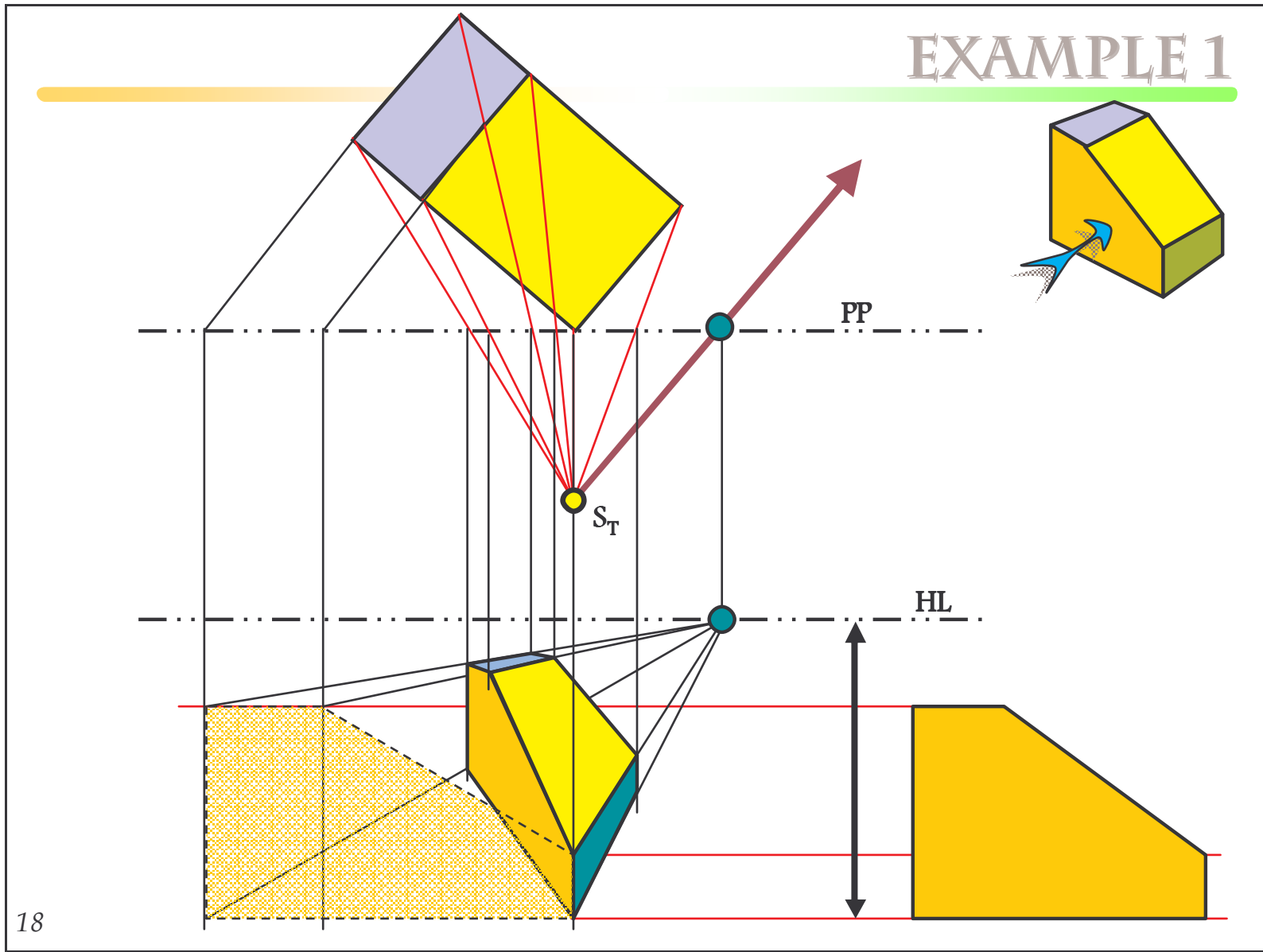




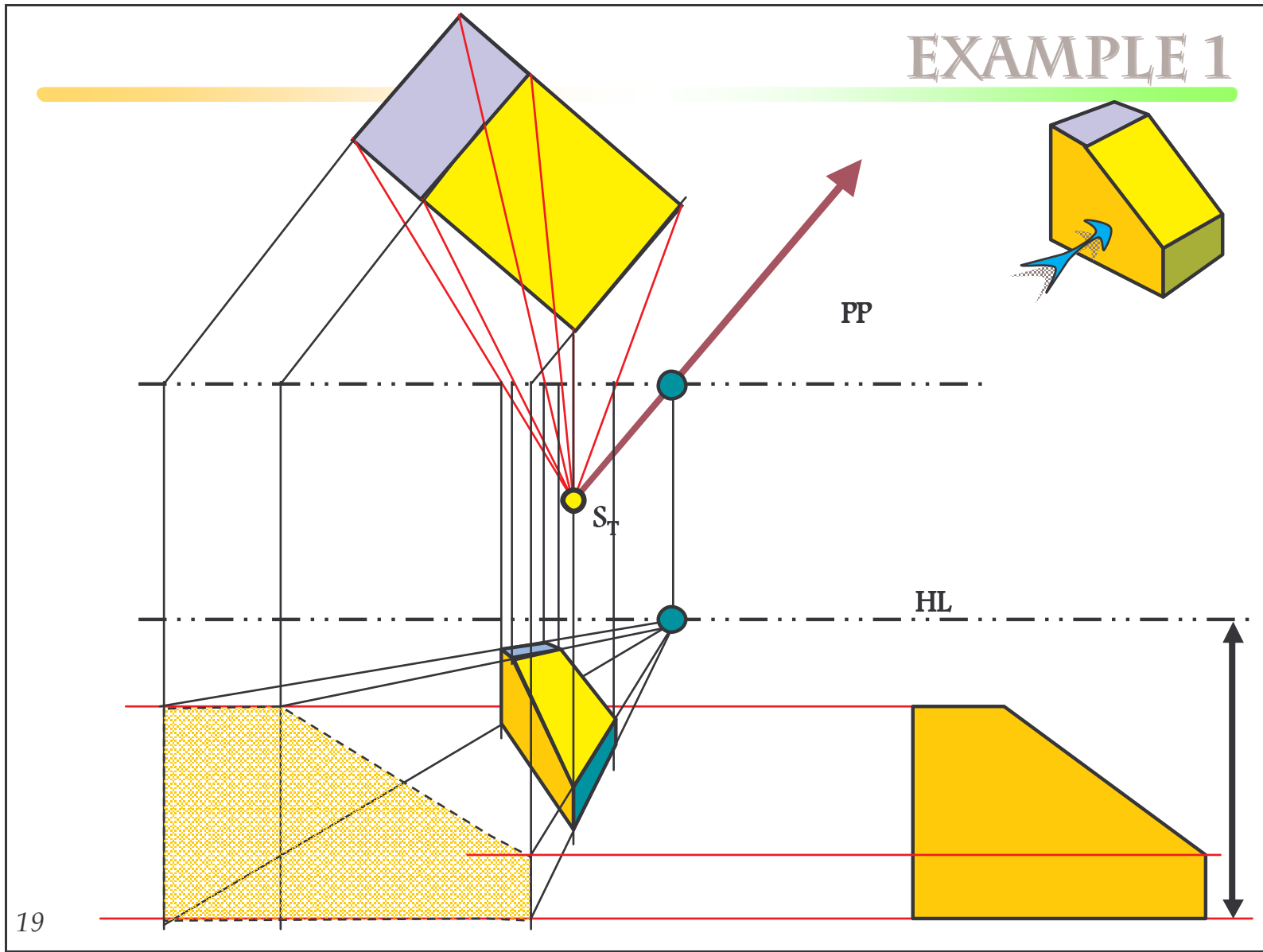
# EXAMPLE 1



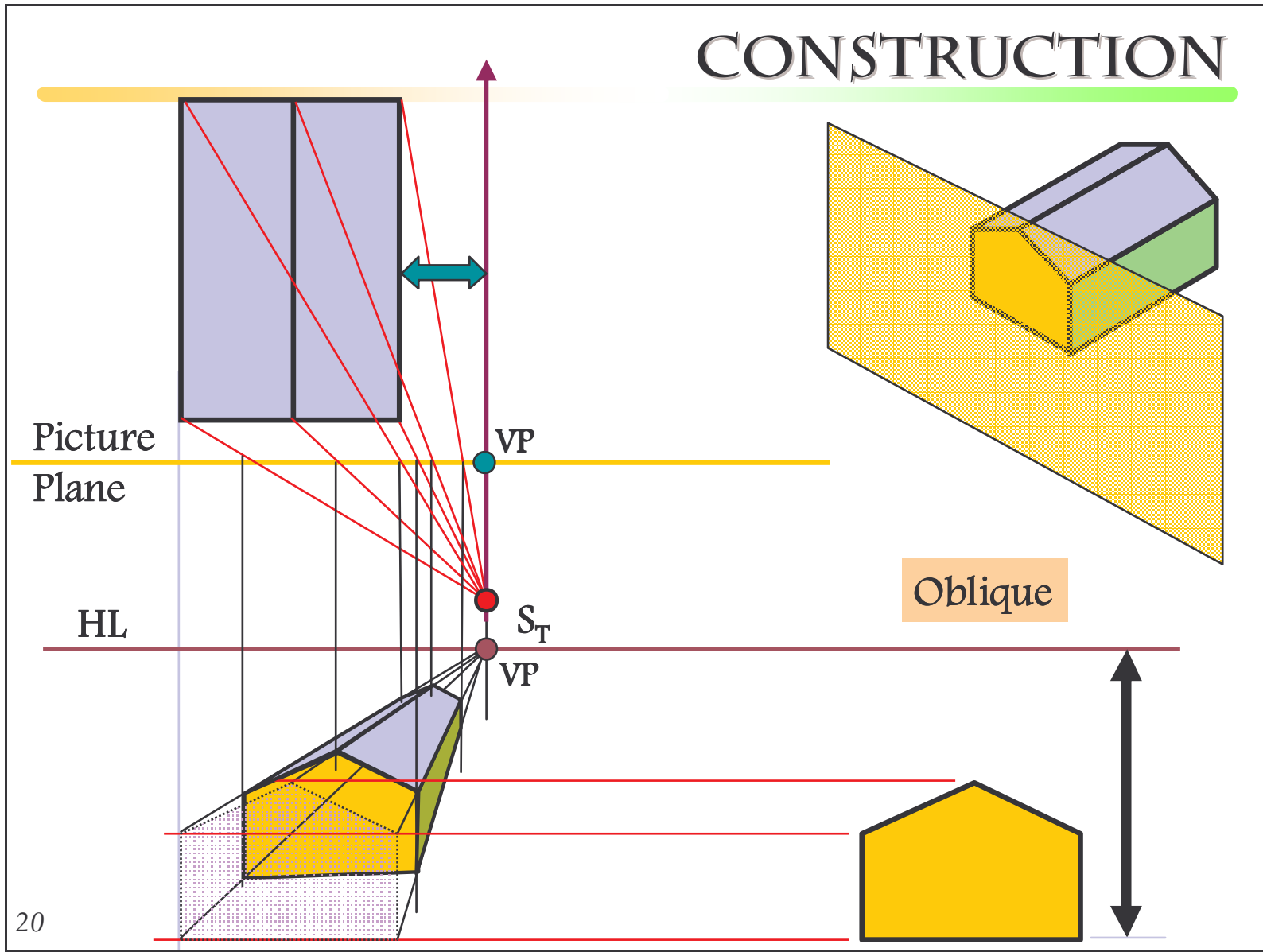
# EXAMPLE 1

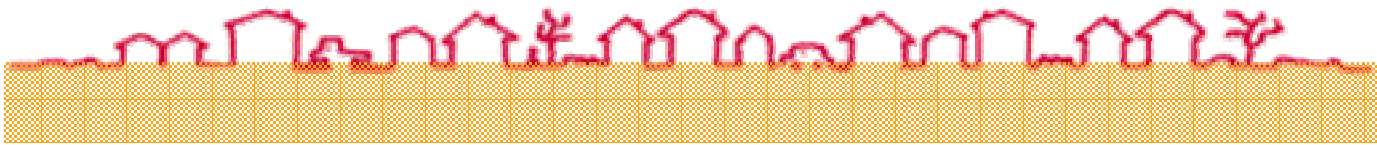


# EXAMPLE 1



# CONSTRUCTION





Have a Great Day!!

