

Lecture 21

SPACE GEOMETRY :: DEVELOPMENT OF SURFACES



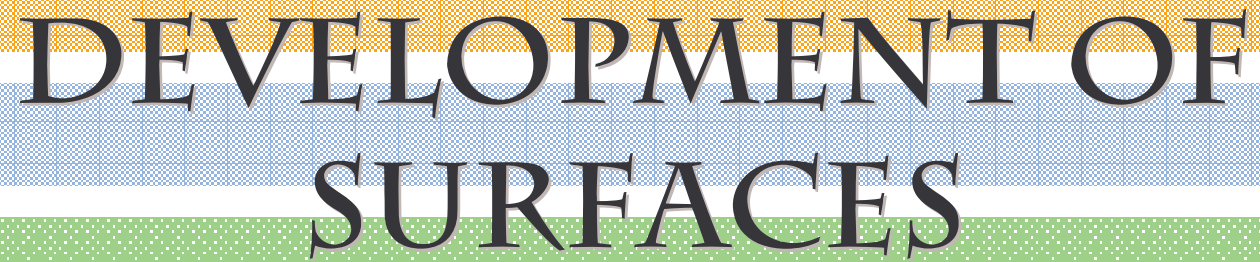
TA 101 : Engineering Graphics

2007-08 Semester II

January – May 2008

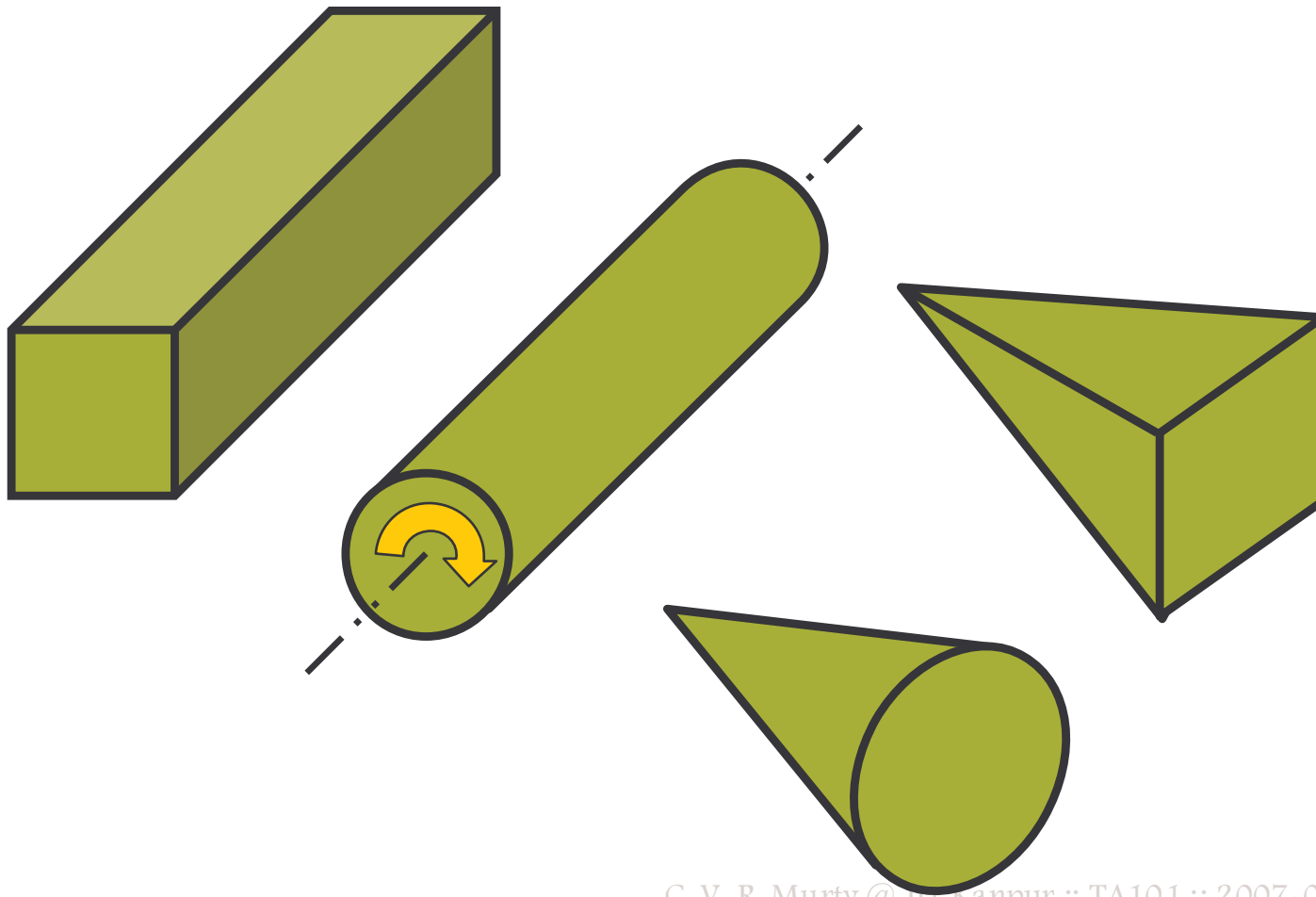
OUTLINE

- What is development of surfaces?
- Method of Construction
 - Alternate strategies

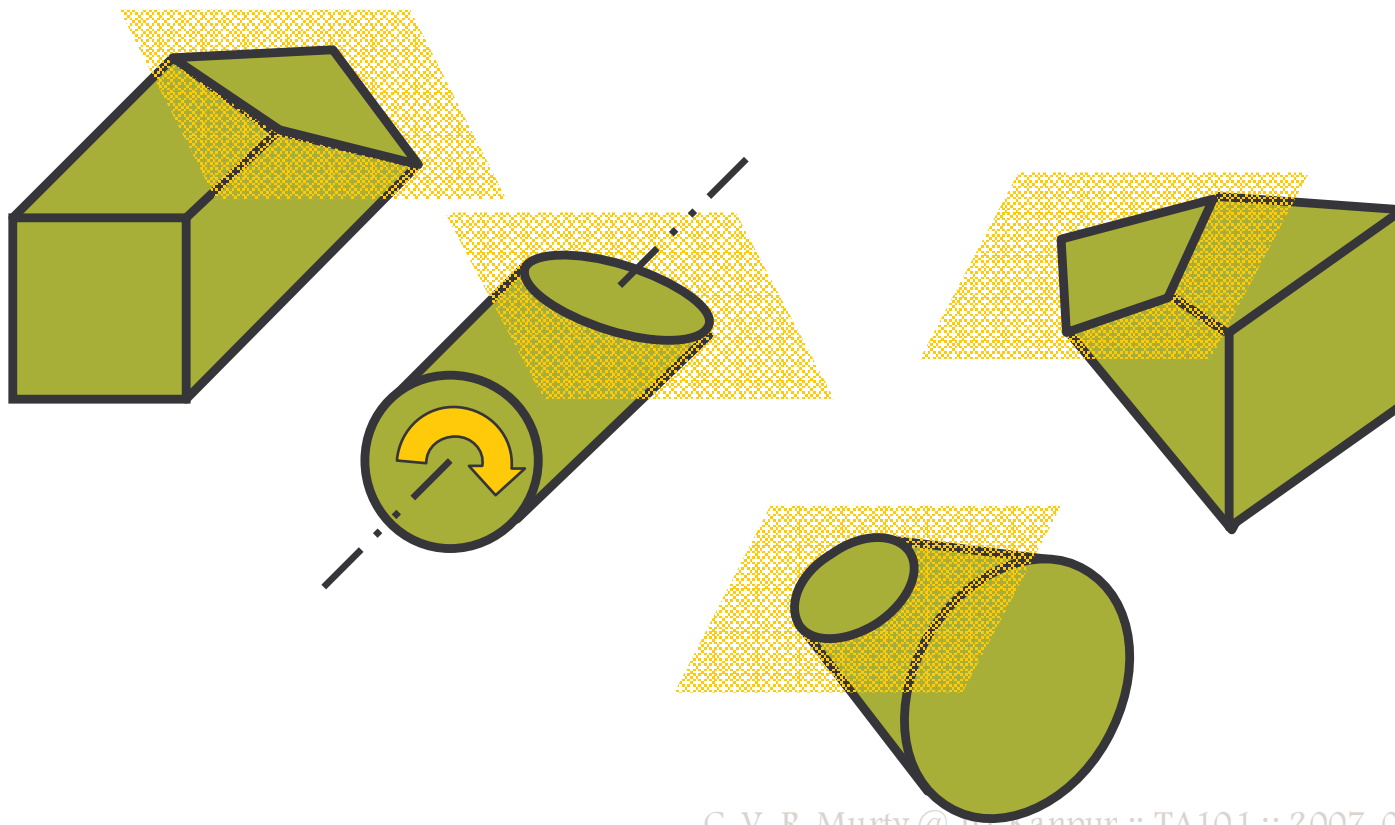


DEVELOPMENT OF SURFACES

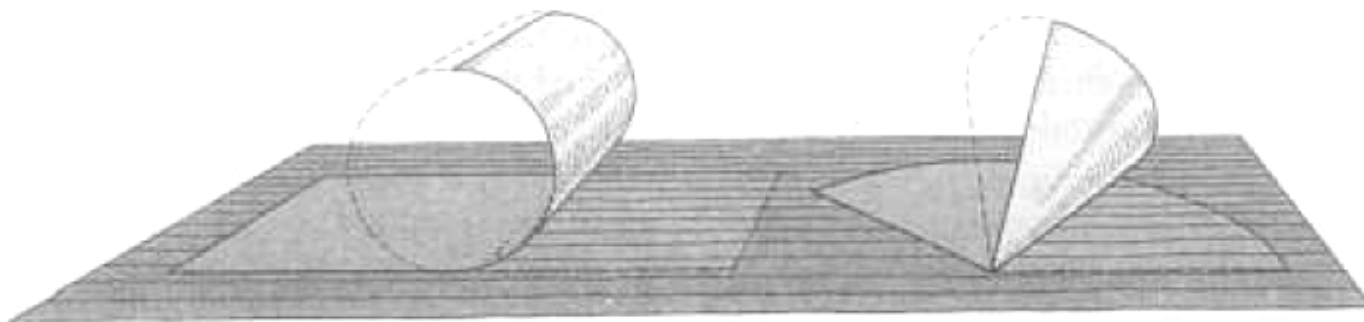
OBJECTS



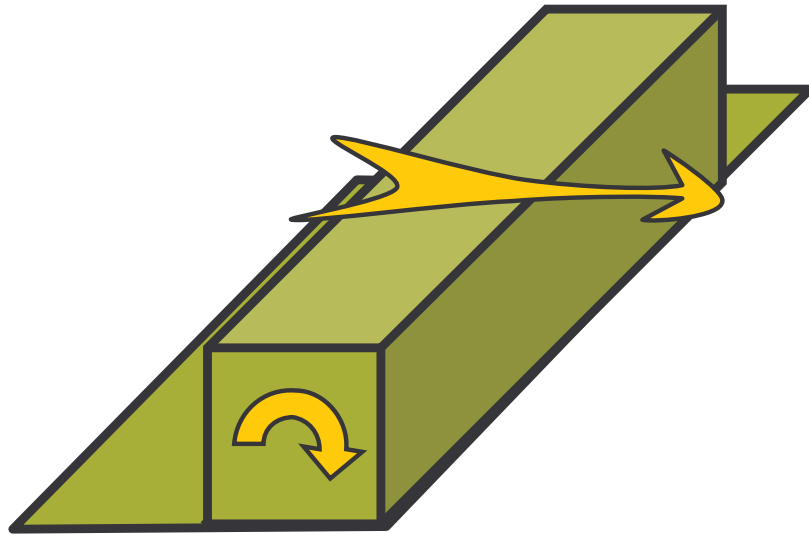
OBJECTS



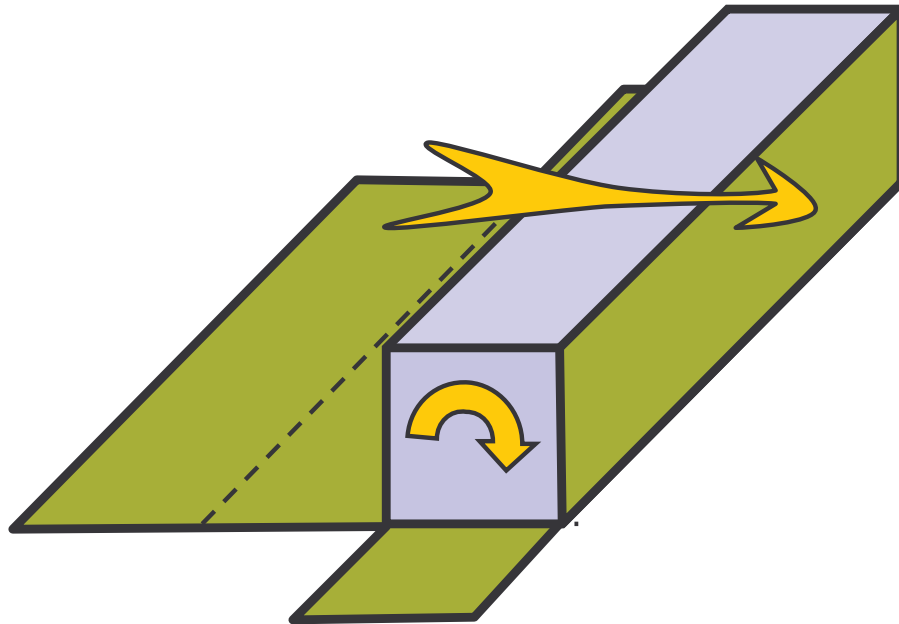
DEVELOPED SURFACE



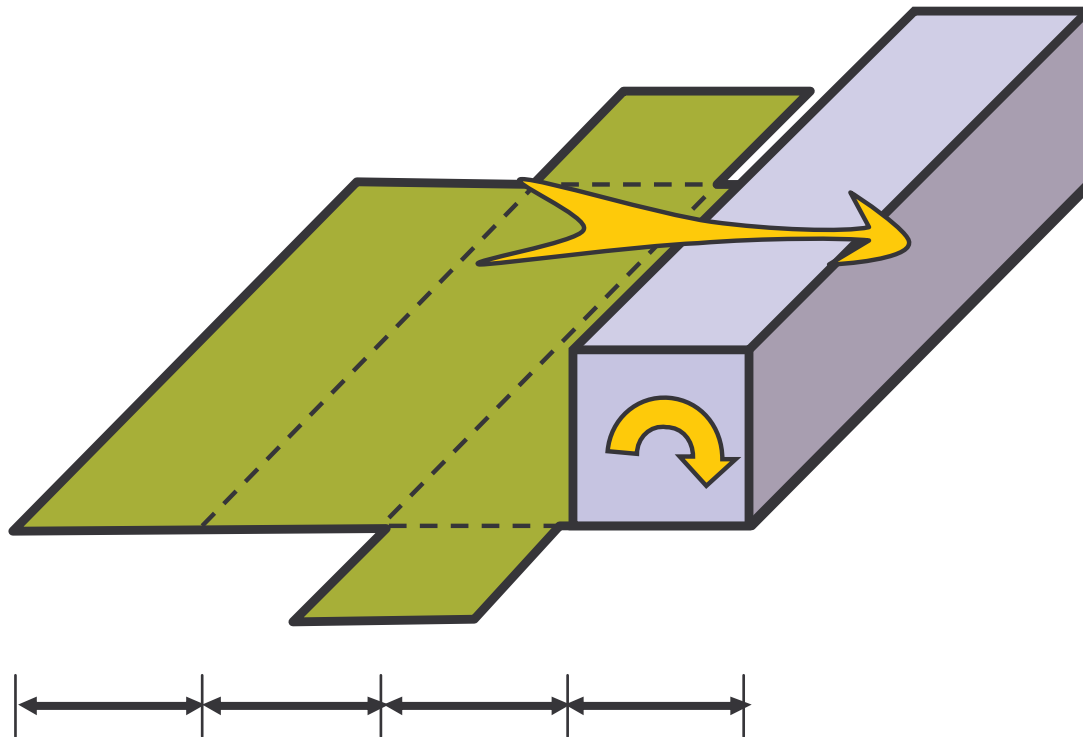
PRISM



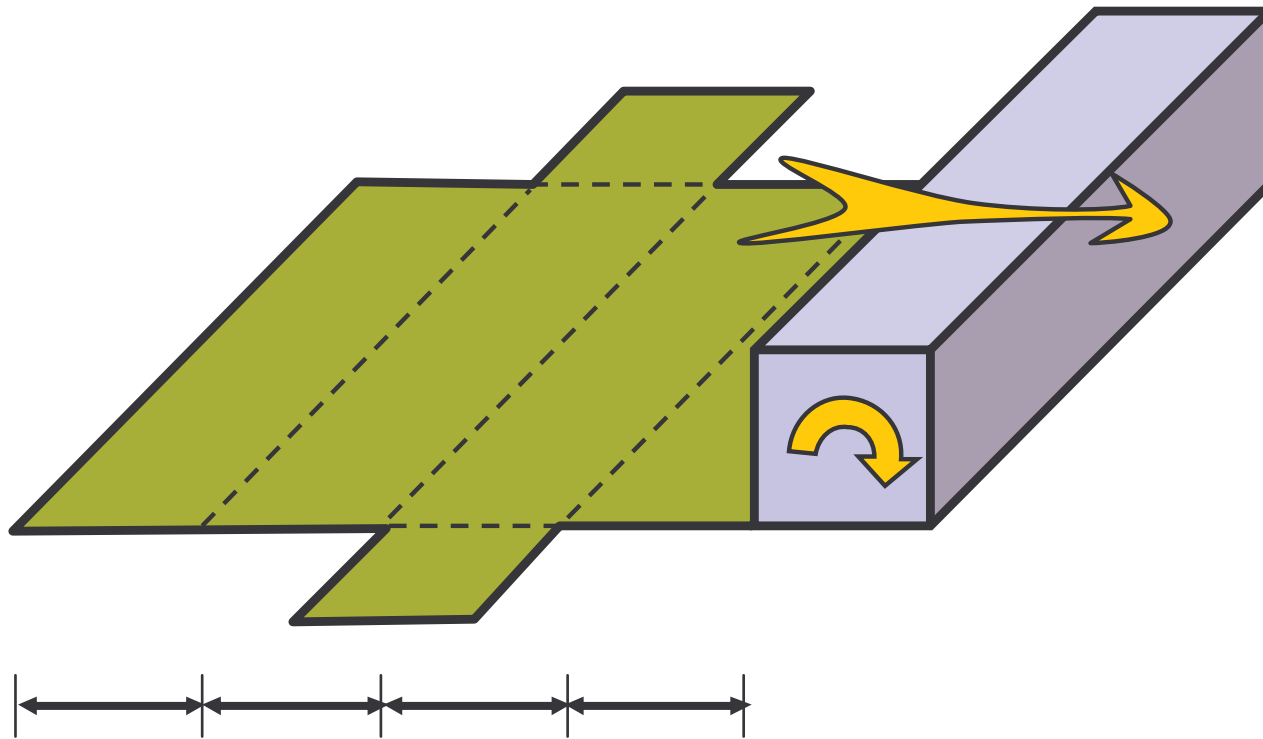
PRISM



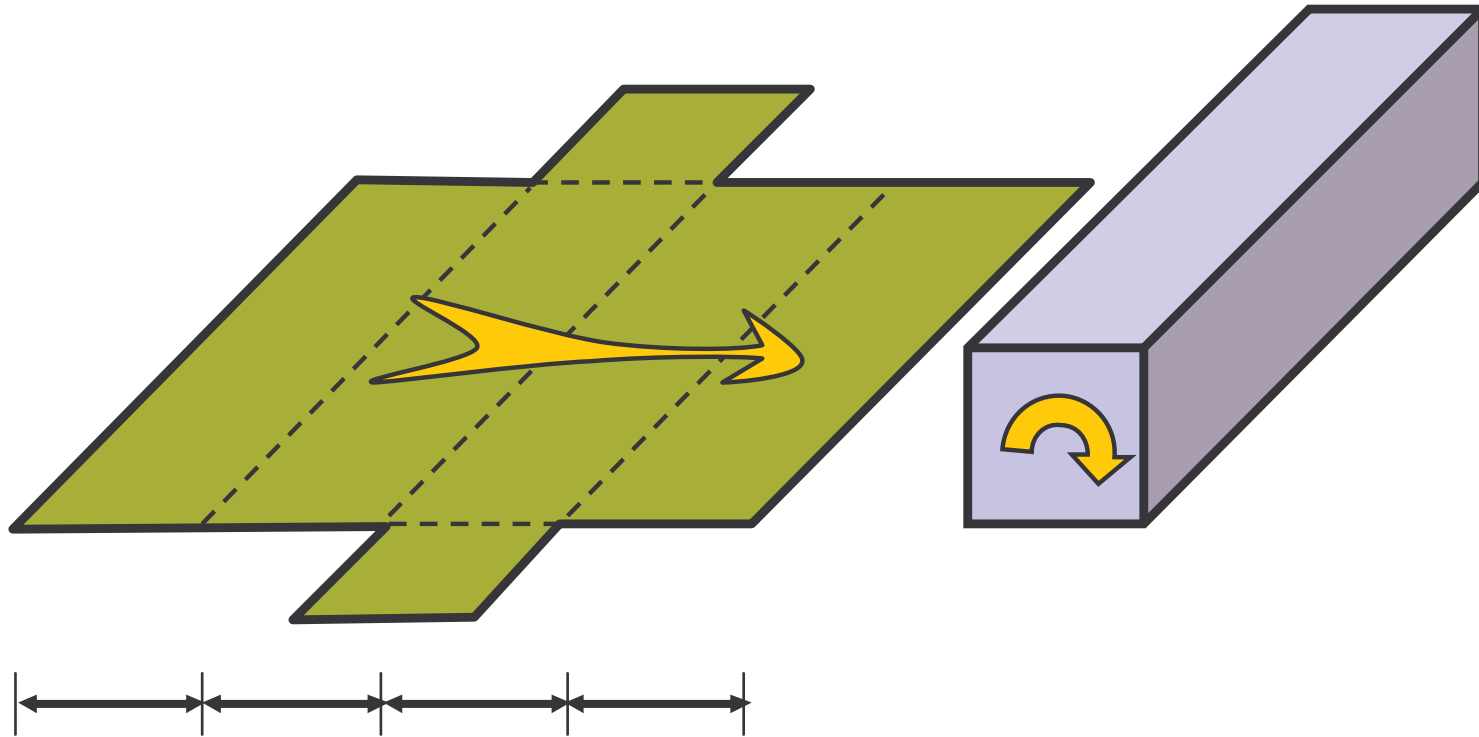
PRISM



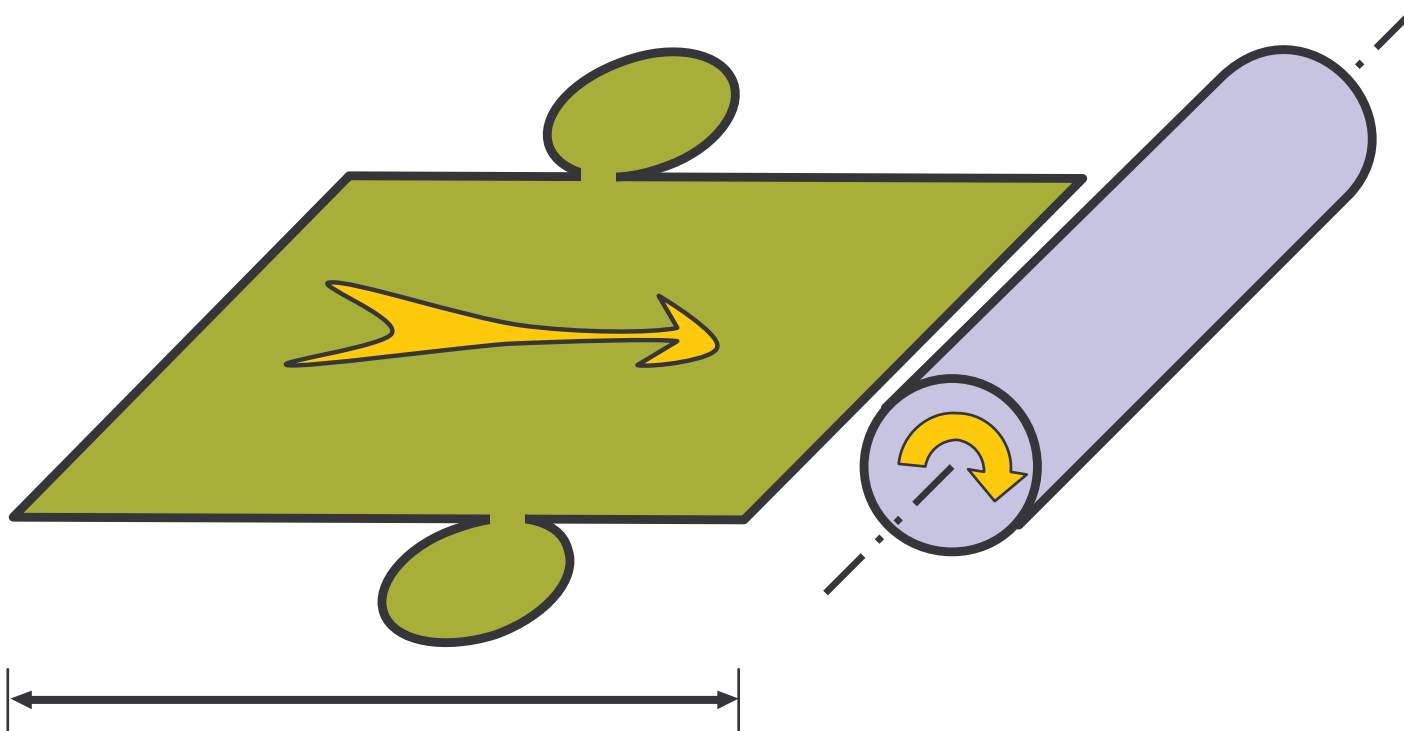
PRISM



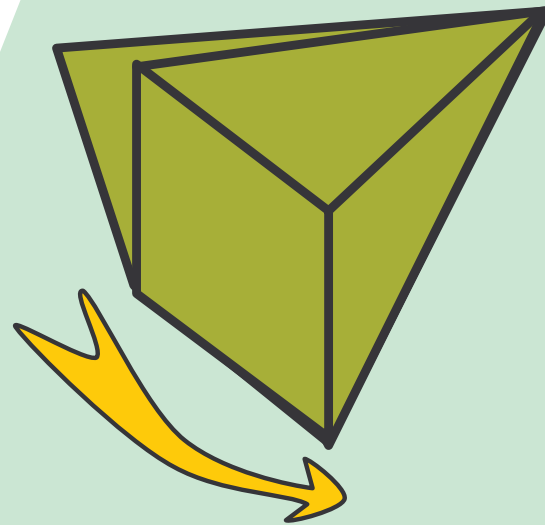
PRISM



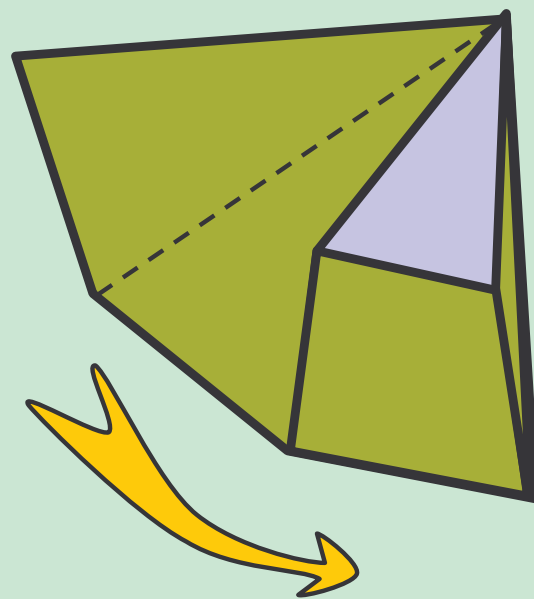
CYLINDER



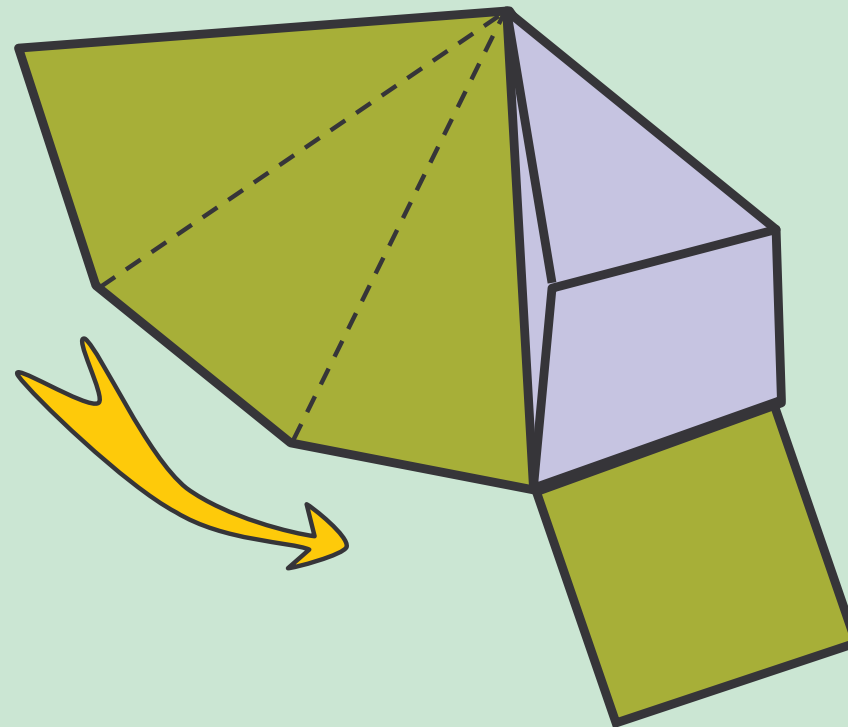
PYRAMID



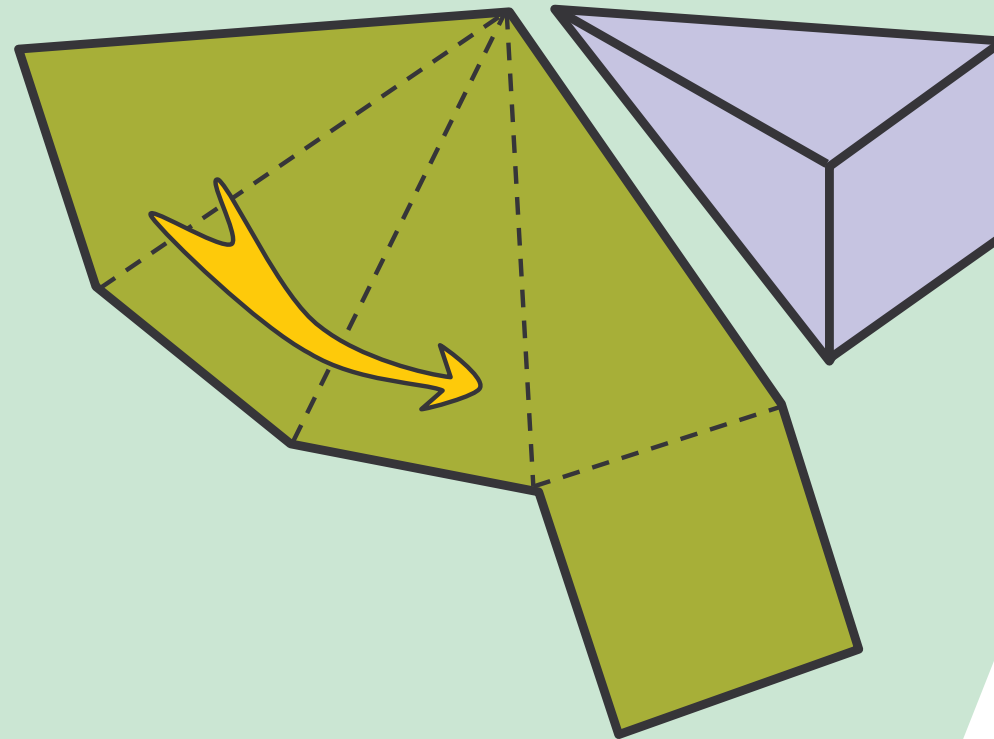
PYRAMID



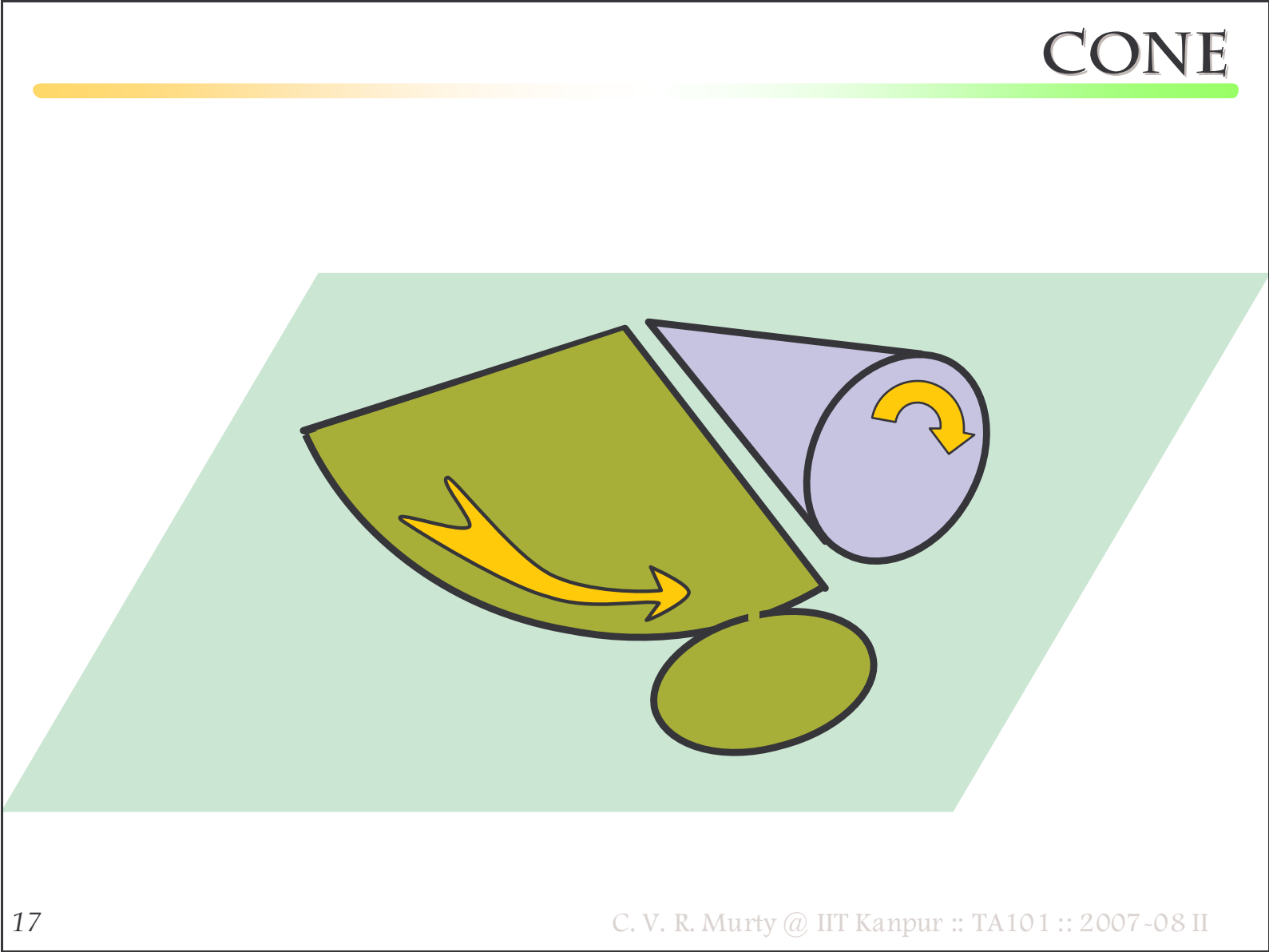
PYRAMID



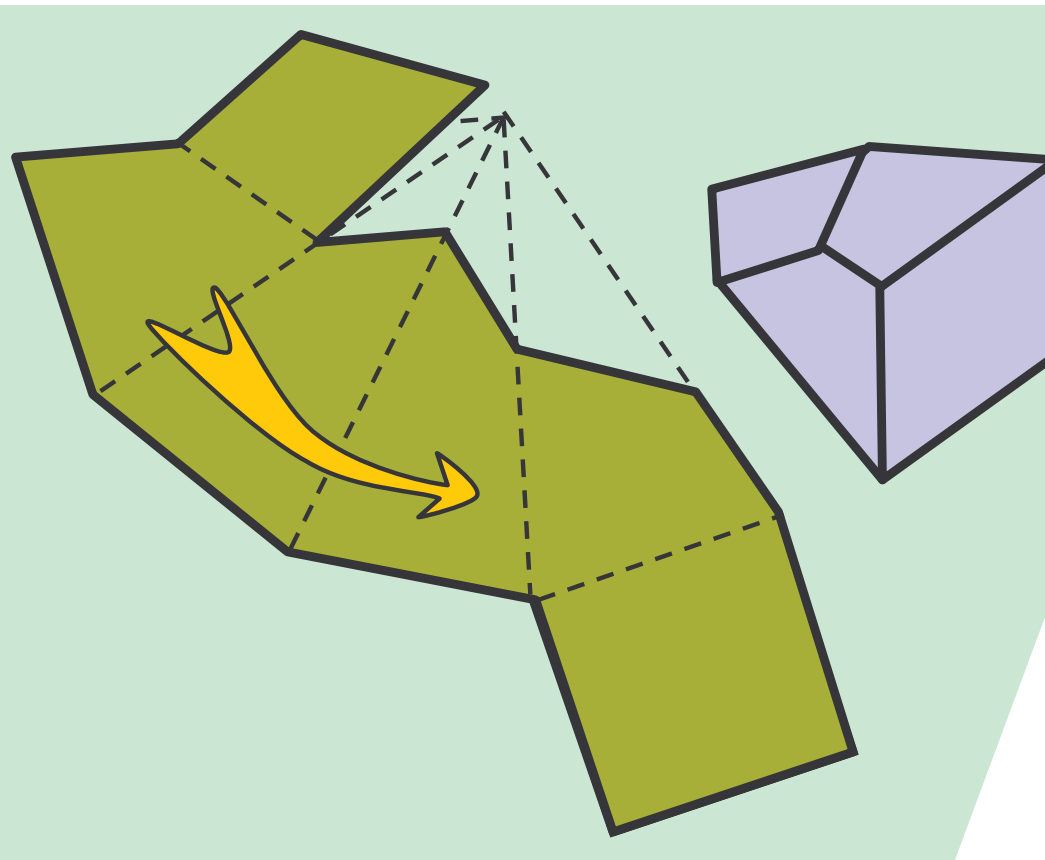
PYRAMID



CONE



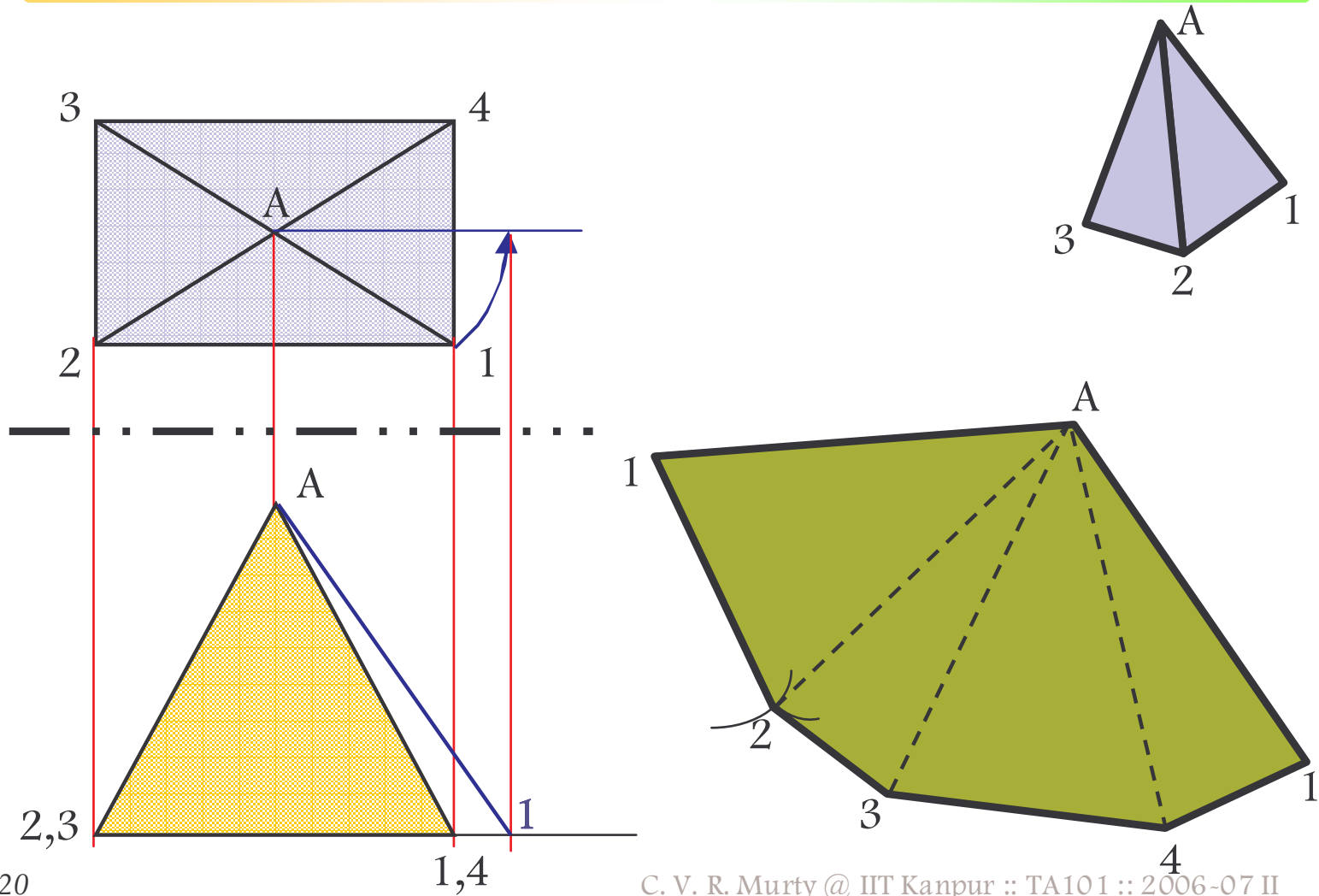
FRUSTUM OF A PYRAMID





CONSTRUCTION

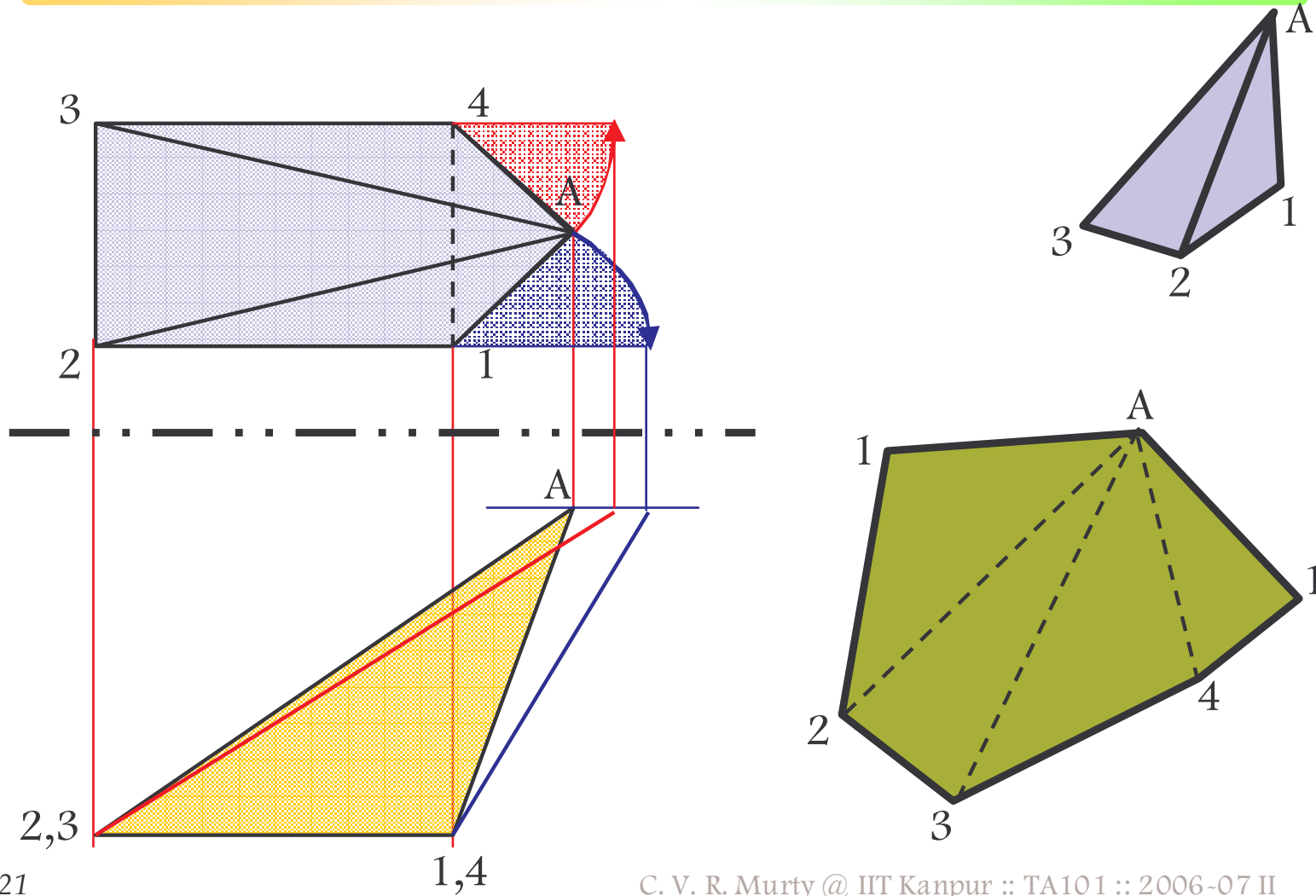
RIGHT RECTANGULAR PYRAMID



20

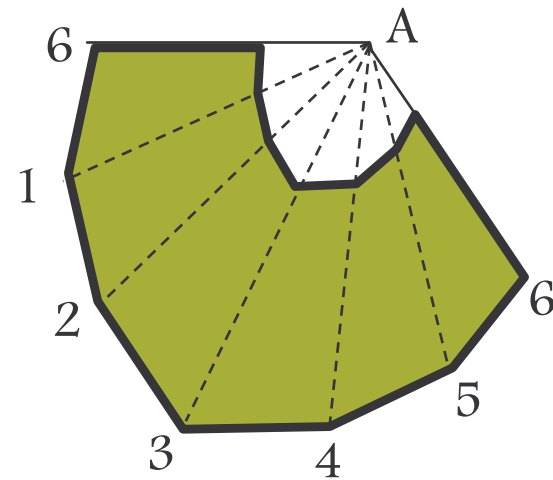
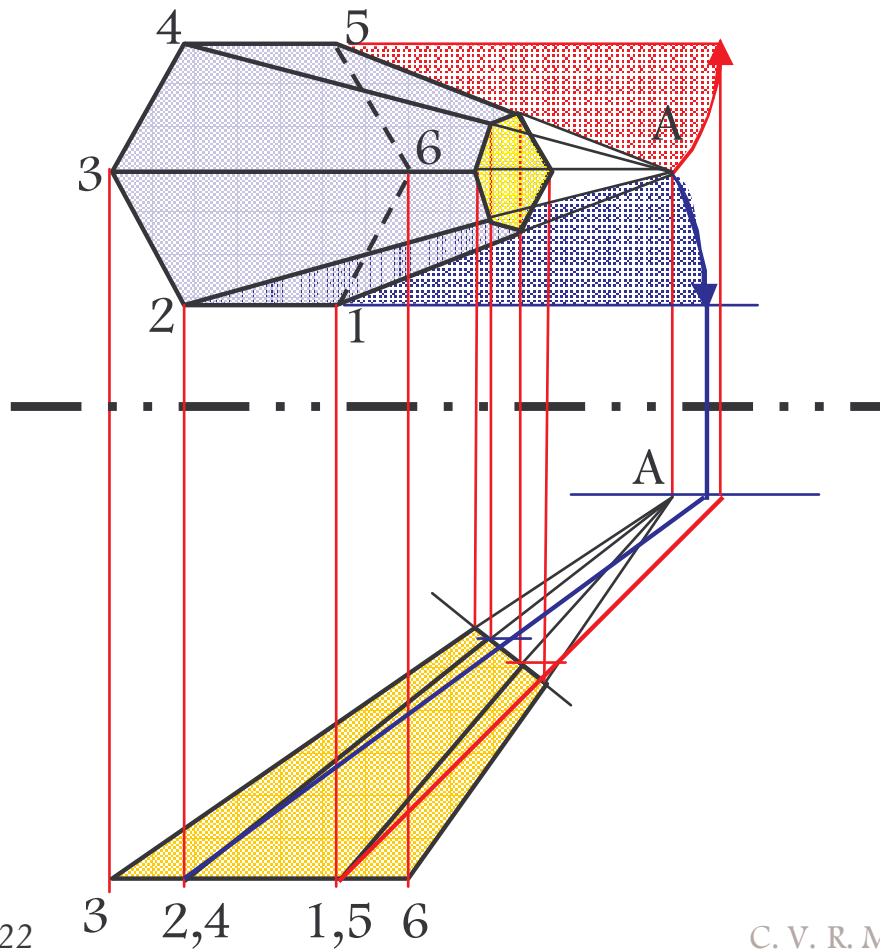
C. V. R. Murty @ IIT Kanpur :: TA101 :: 2006-07 II

OBLIQUE RECTANGULAR PYRAMID



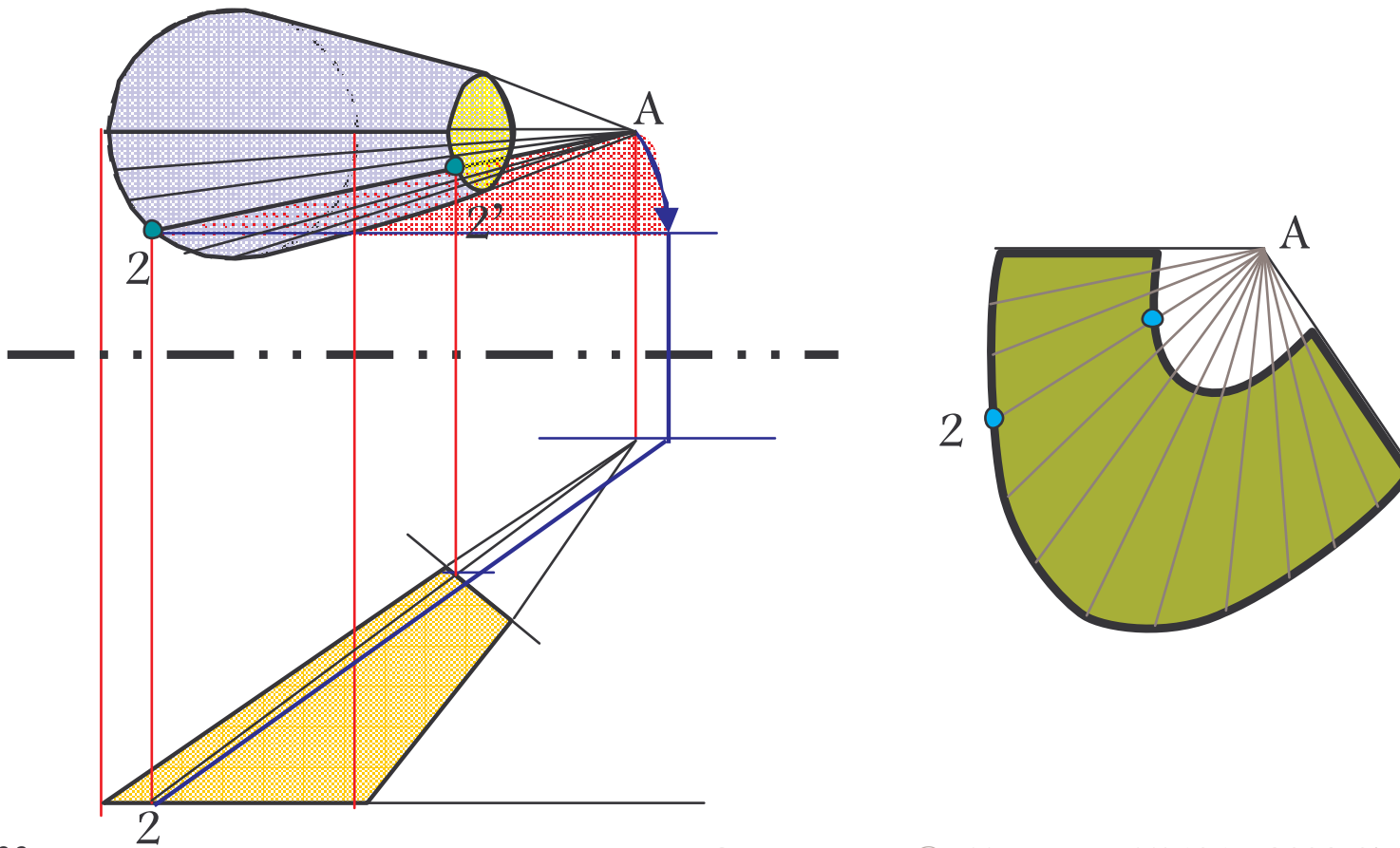
C. V. R. Murty @ IIT Kanpur :: TA101 :: 2006-07 II

FRUSTUM OF A PYRAMID

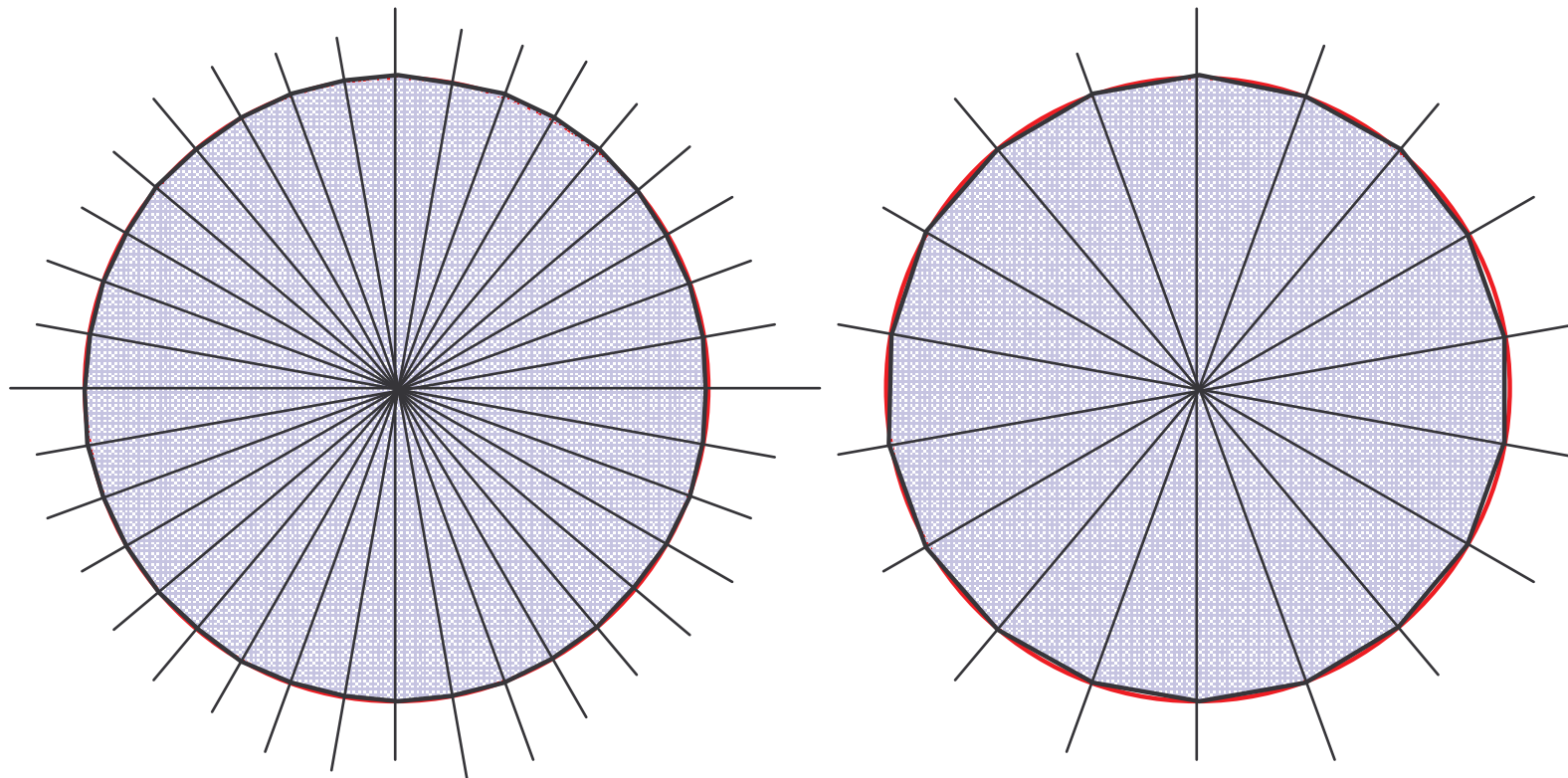


C. V. R. Murty @ IIT Kanpur :: TA101 :: 2006-07 II

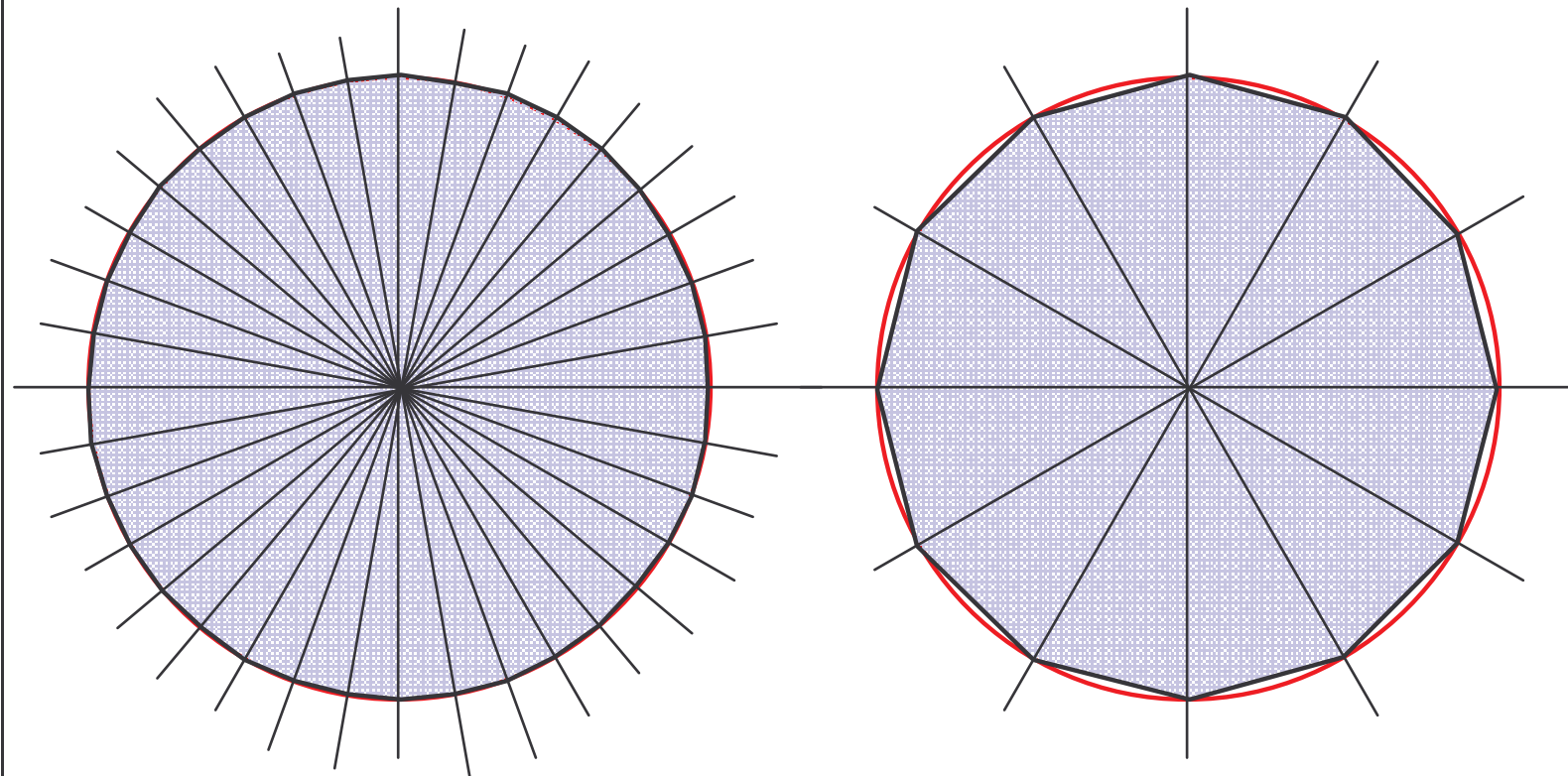
FRUSTUM OF A CONE



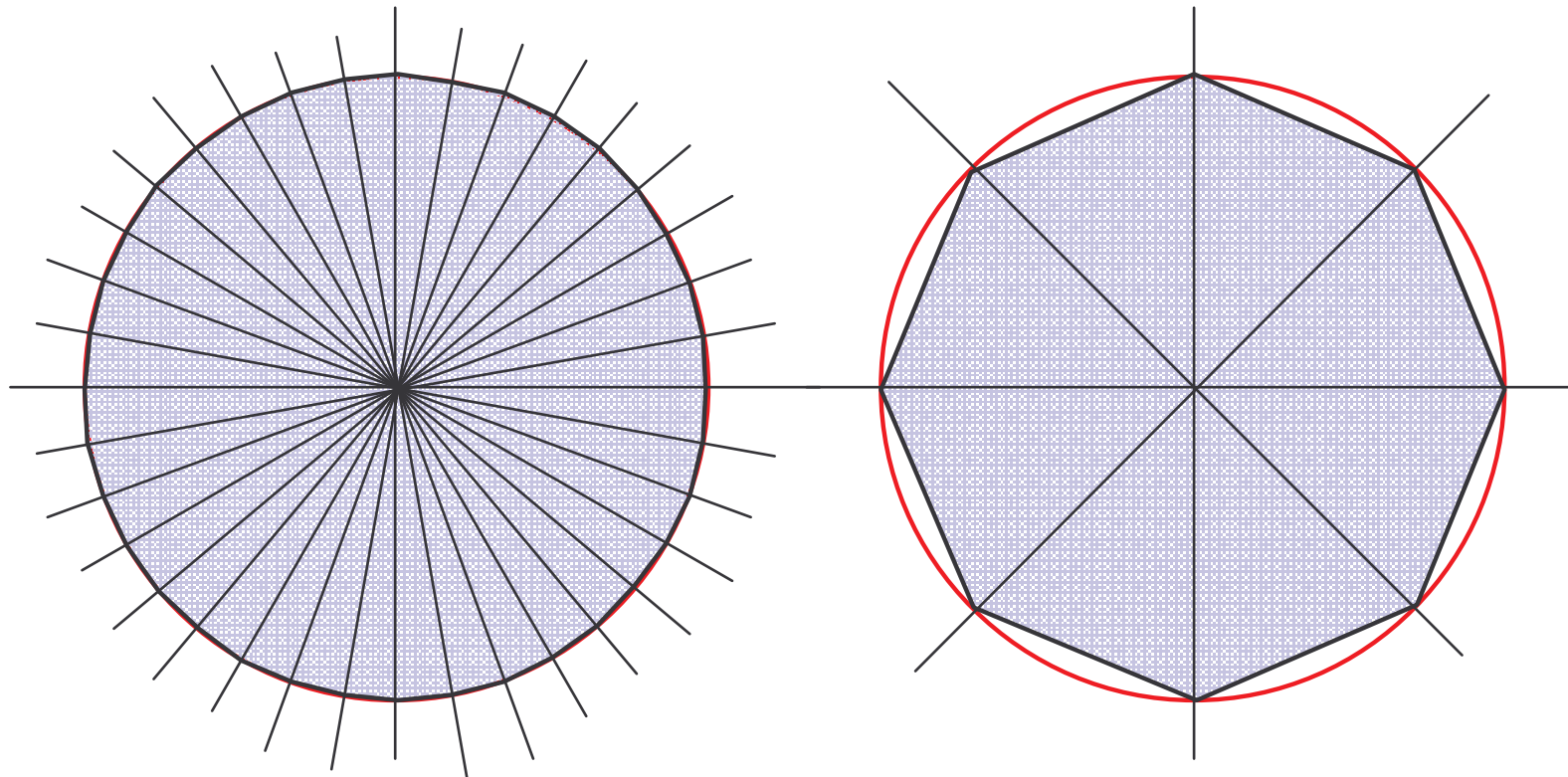
FRUSTUM OF A CONE

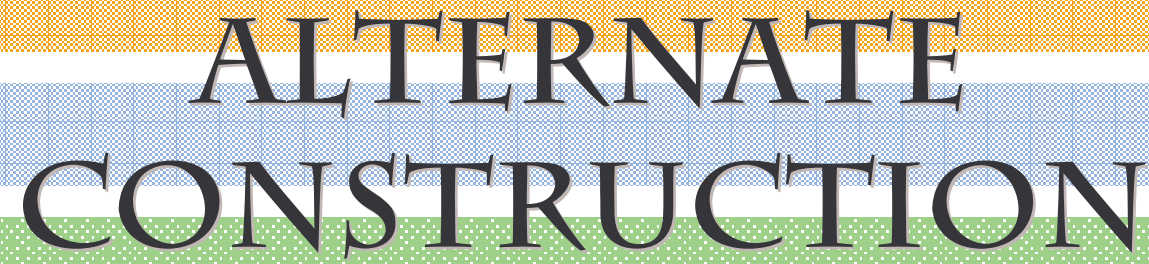


FRUSTUM OF A CONE



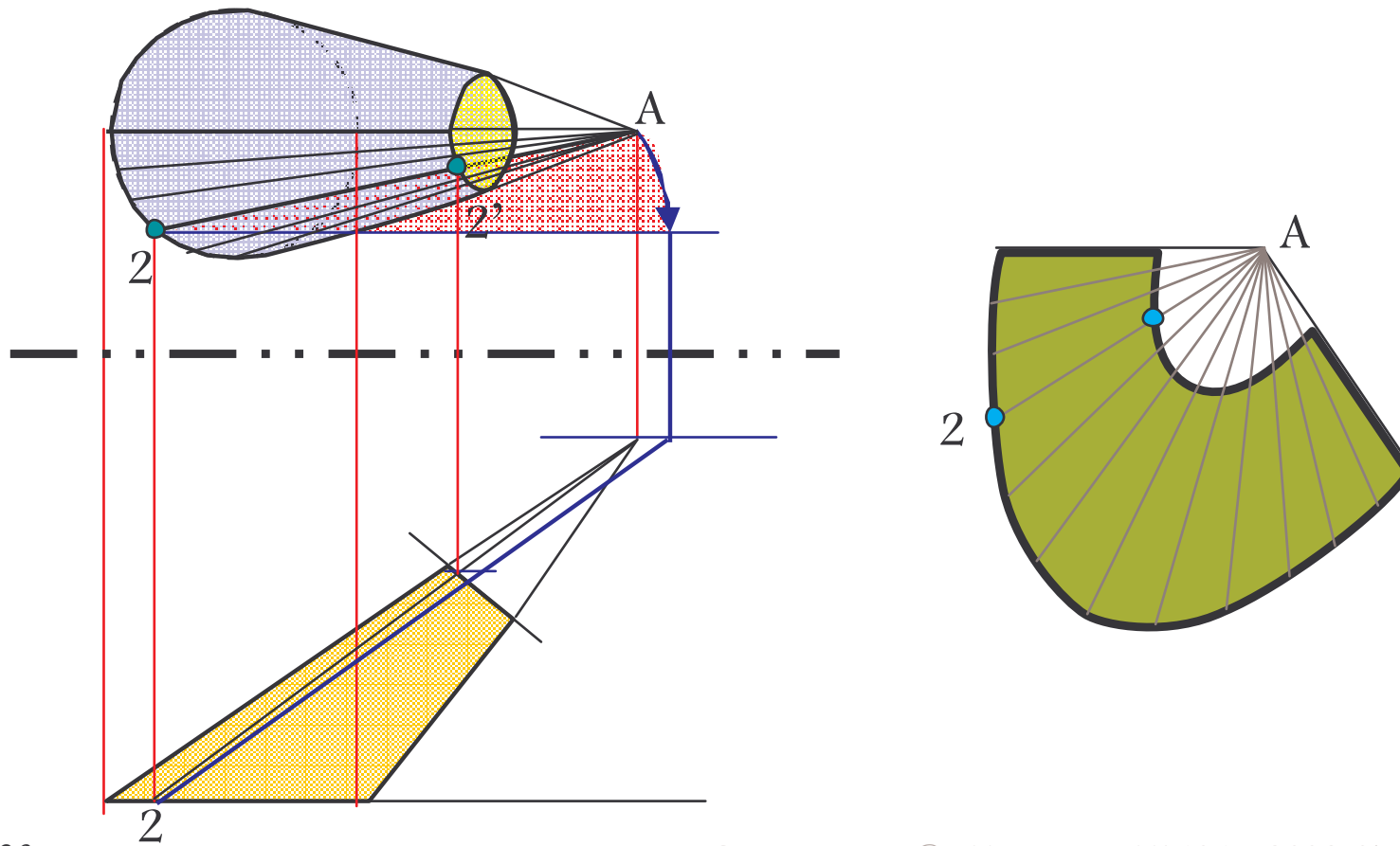
FRUSTUM OF A CONE



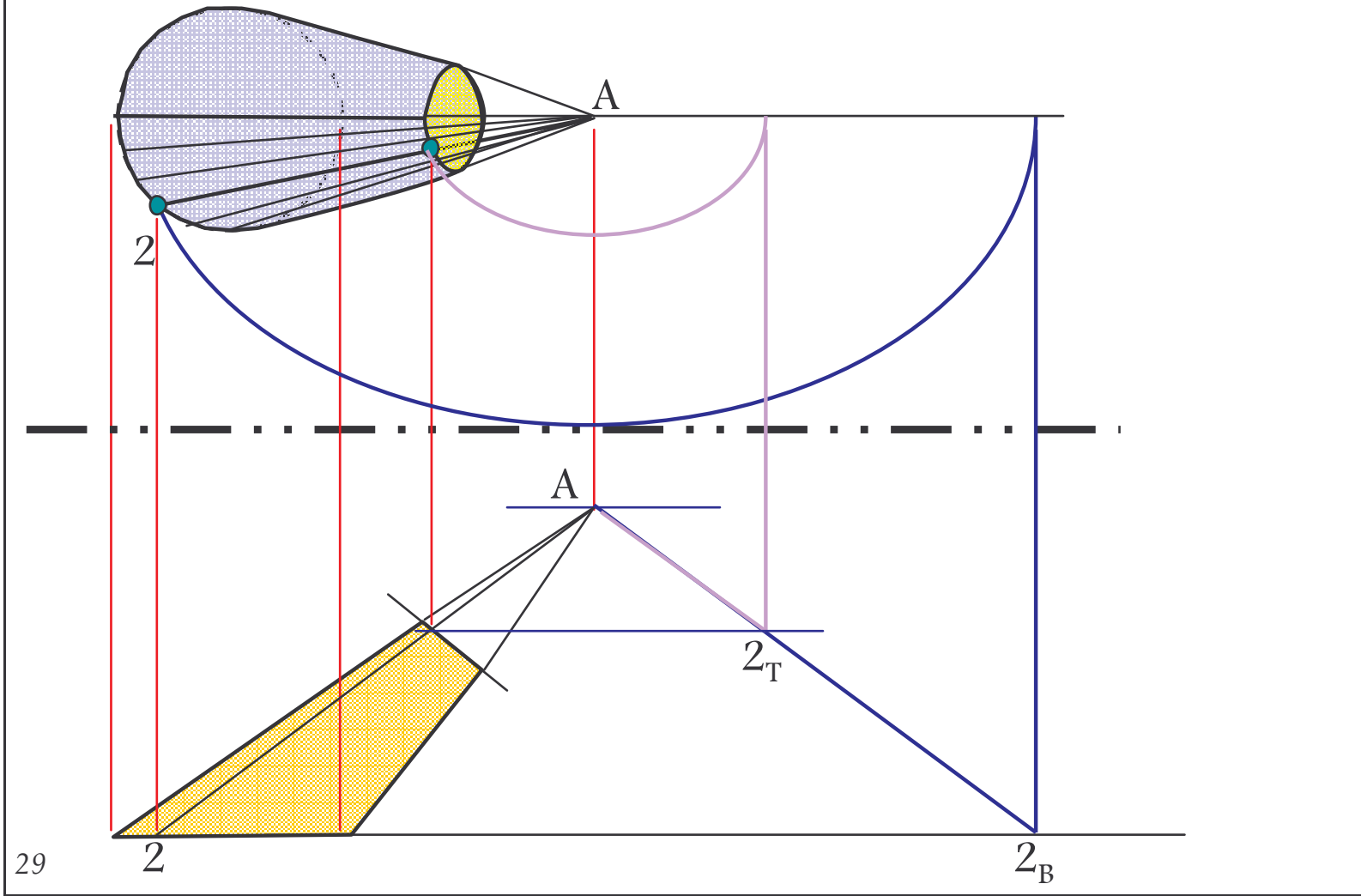


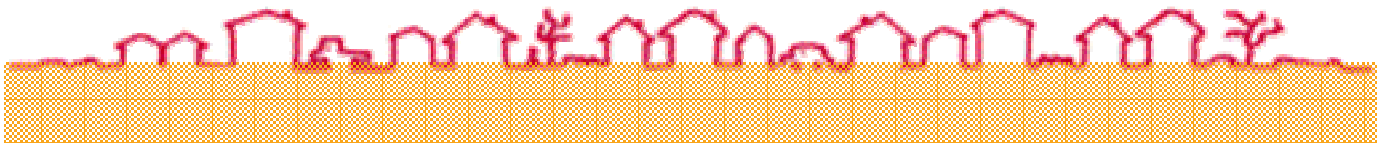
ALTERNATE
CONSTRUCTION

FRUSTUM OF A CONE



FRUSTUM OF A CONE





Have a Great Day!!

