

Lecture 22

SPACE GEOMETRY
:: DEVELOPMENT OF SURFACES
- TRANSITION SURFACES



TA 101 : Engineering Graphics

2007-08 Semester II

January – May 2008

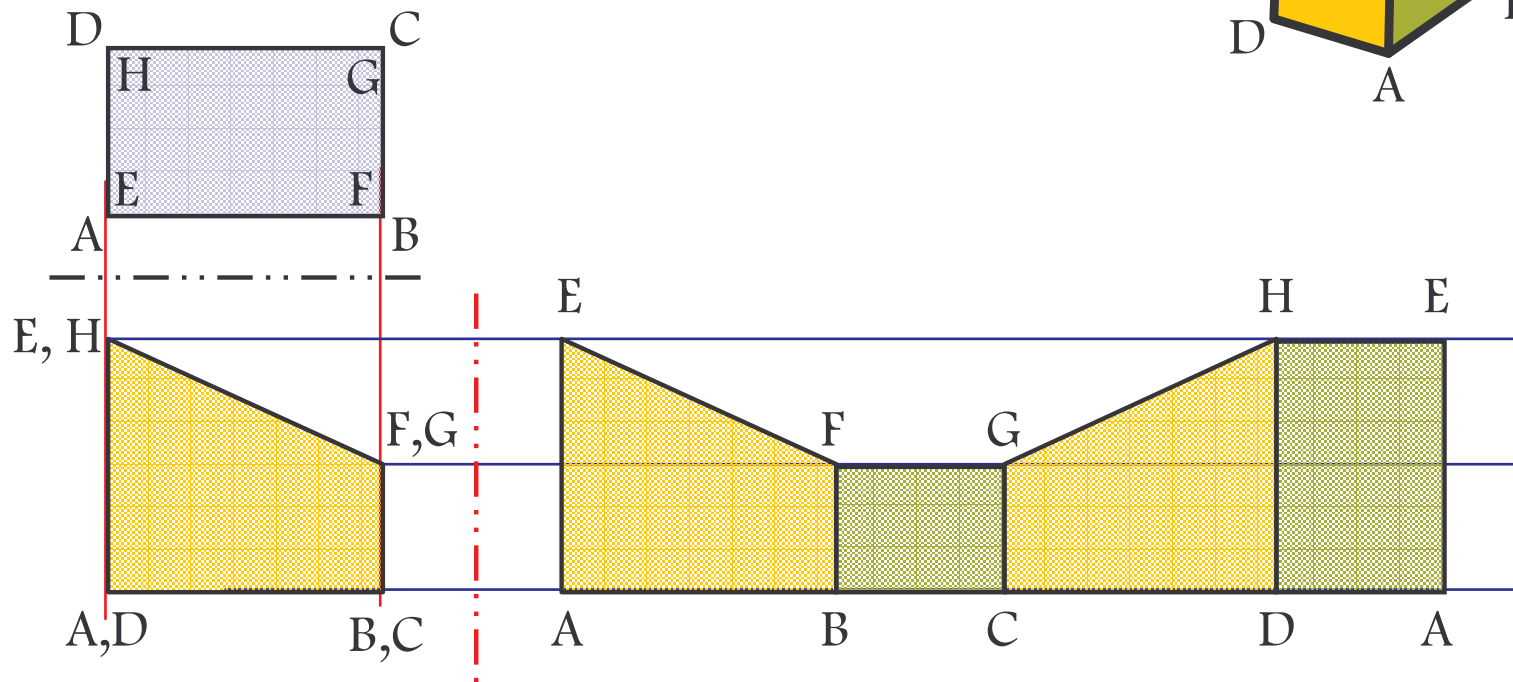
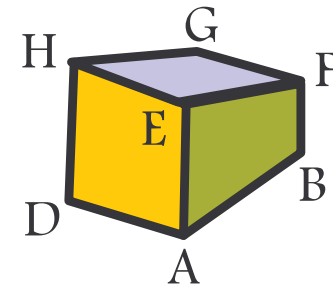
OUTLINE

- Examples
- Transition Surfaces

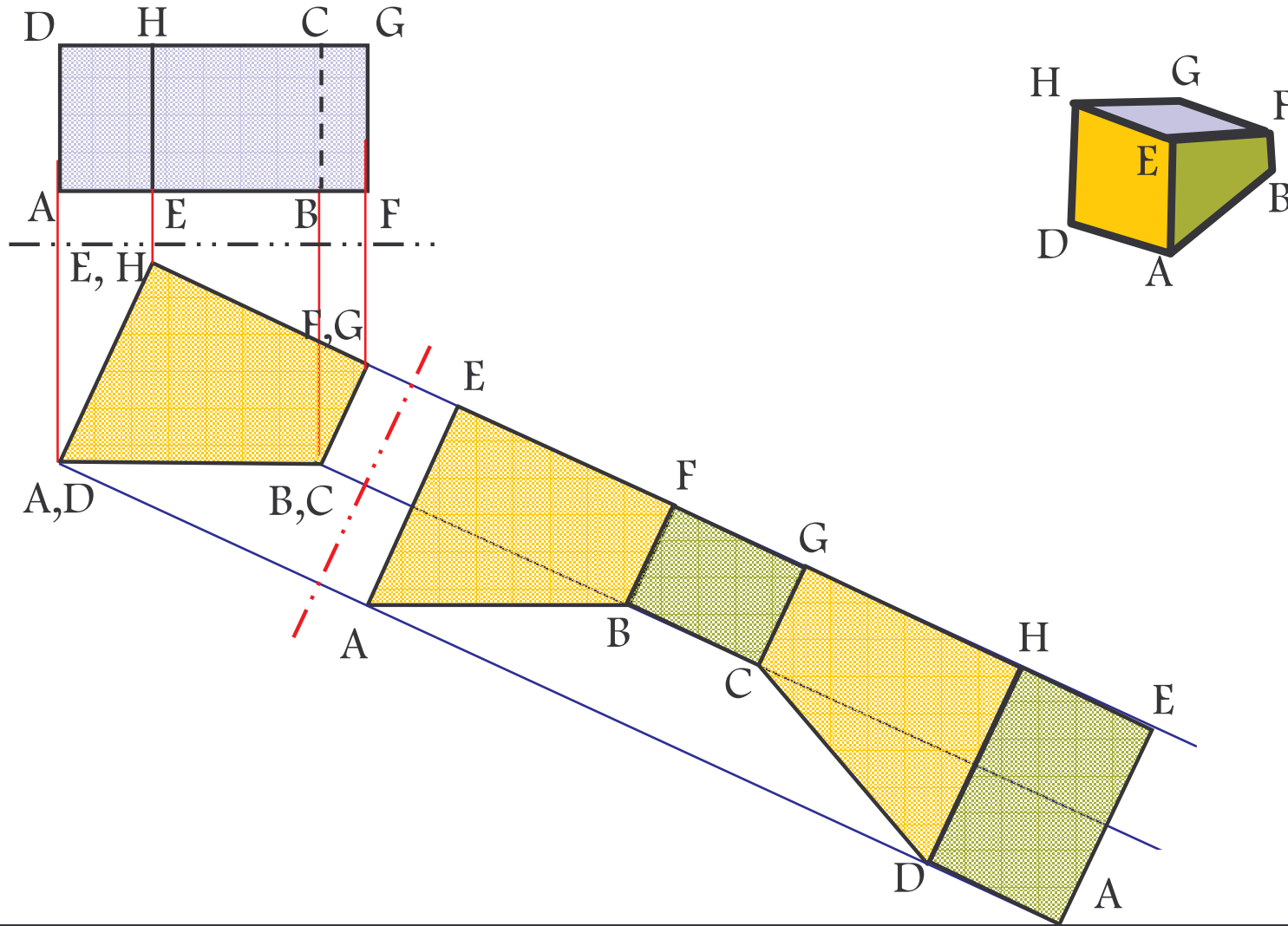


EXAMPLES

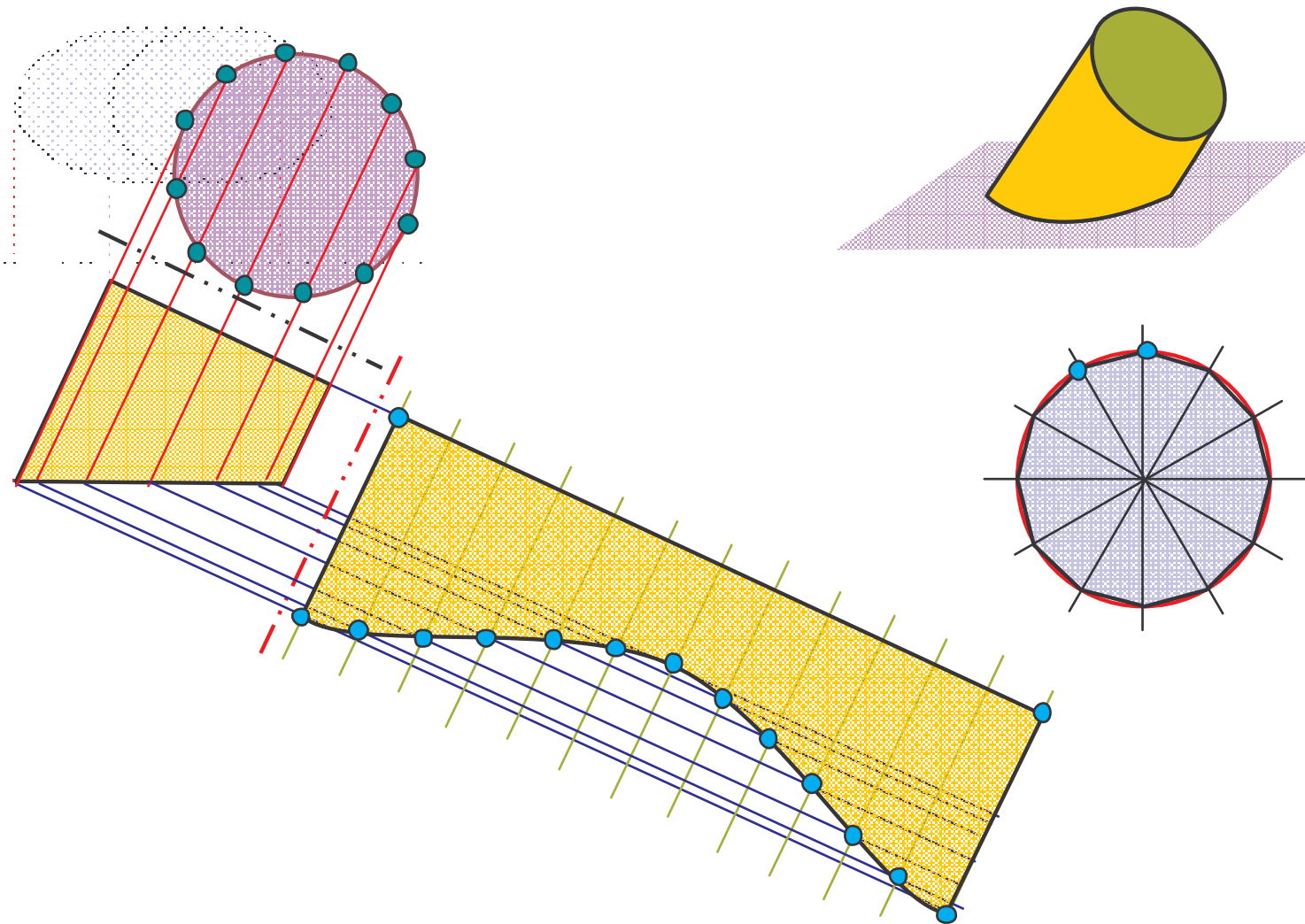
RIGHT RECTANGULAR PRISM



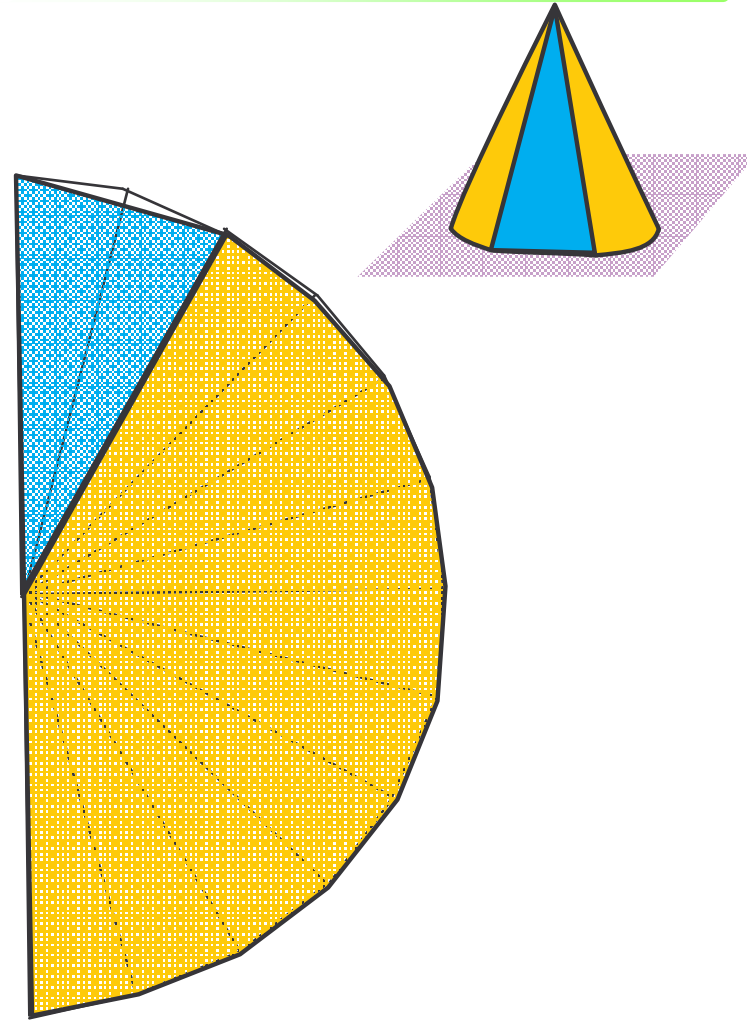
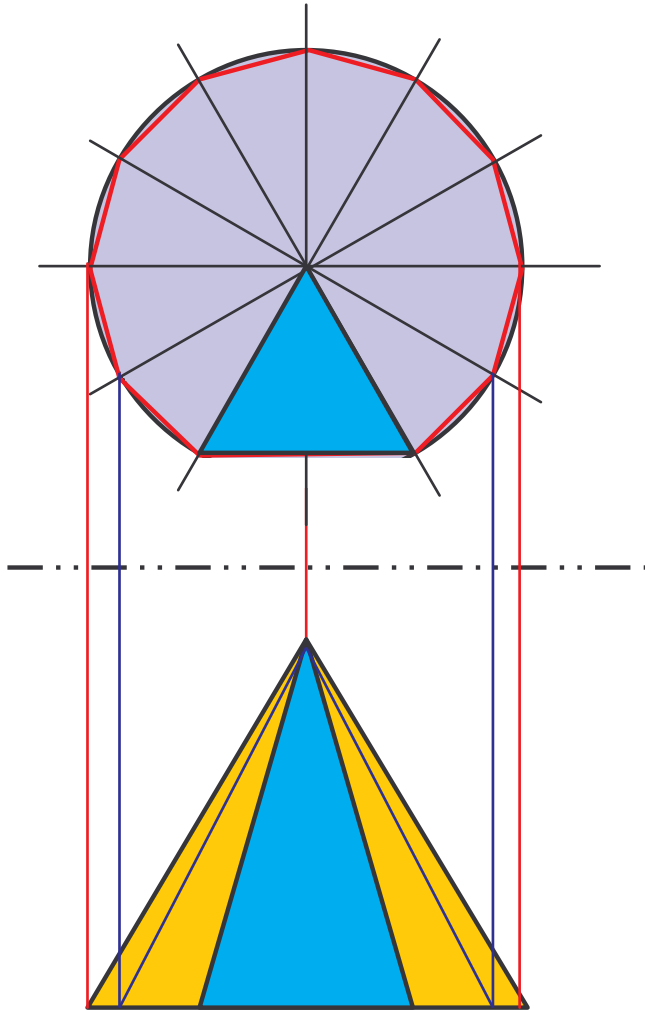
OBLIQUE RECTANGULAR PRISM



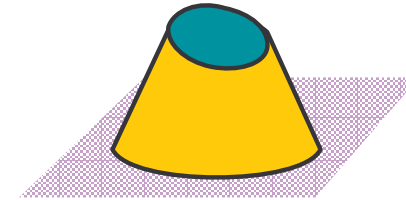
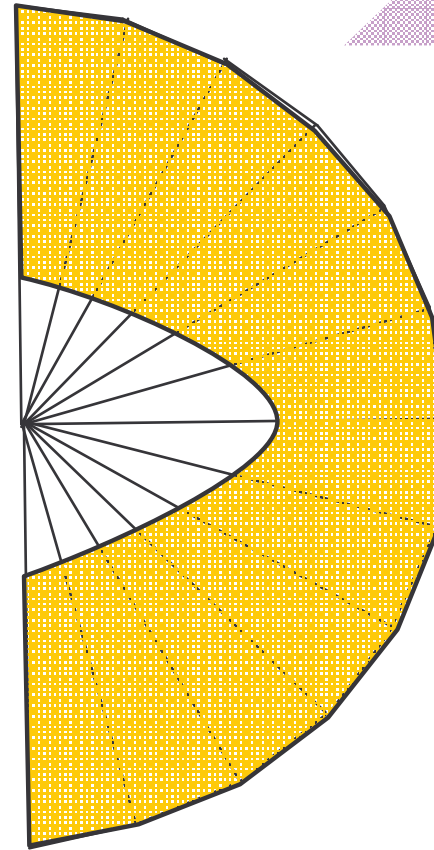
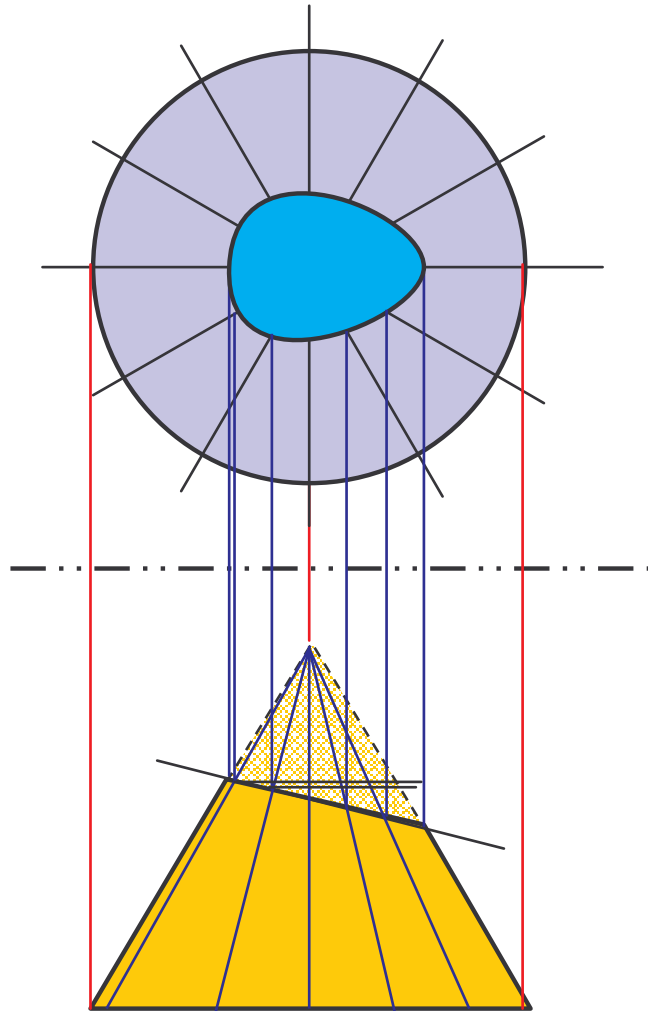
FRUSTUM OF AN OBLIQUE CYLINDER

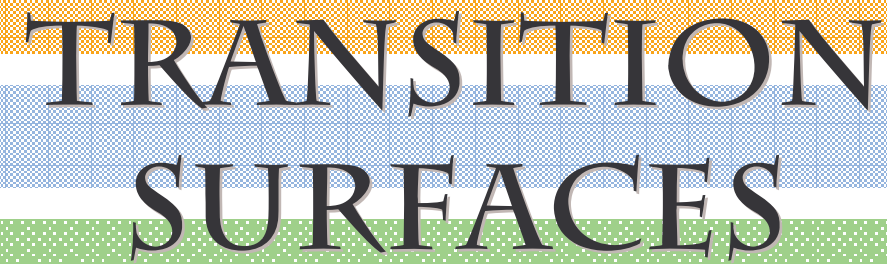


SLICED CONE



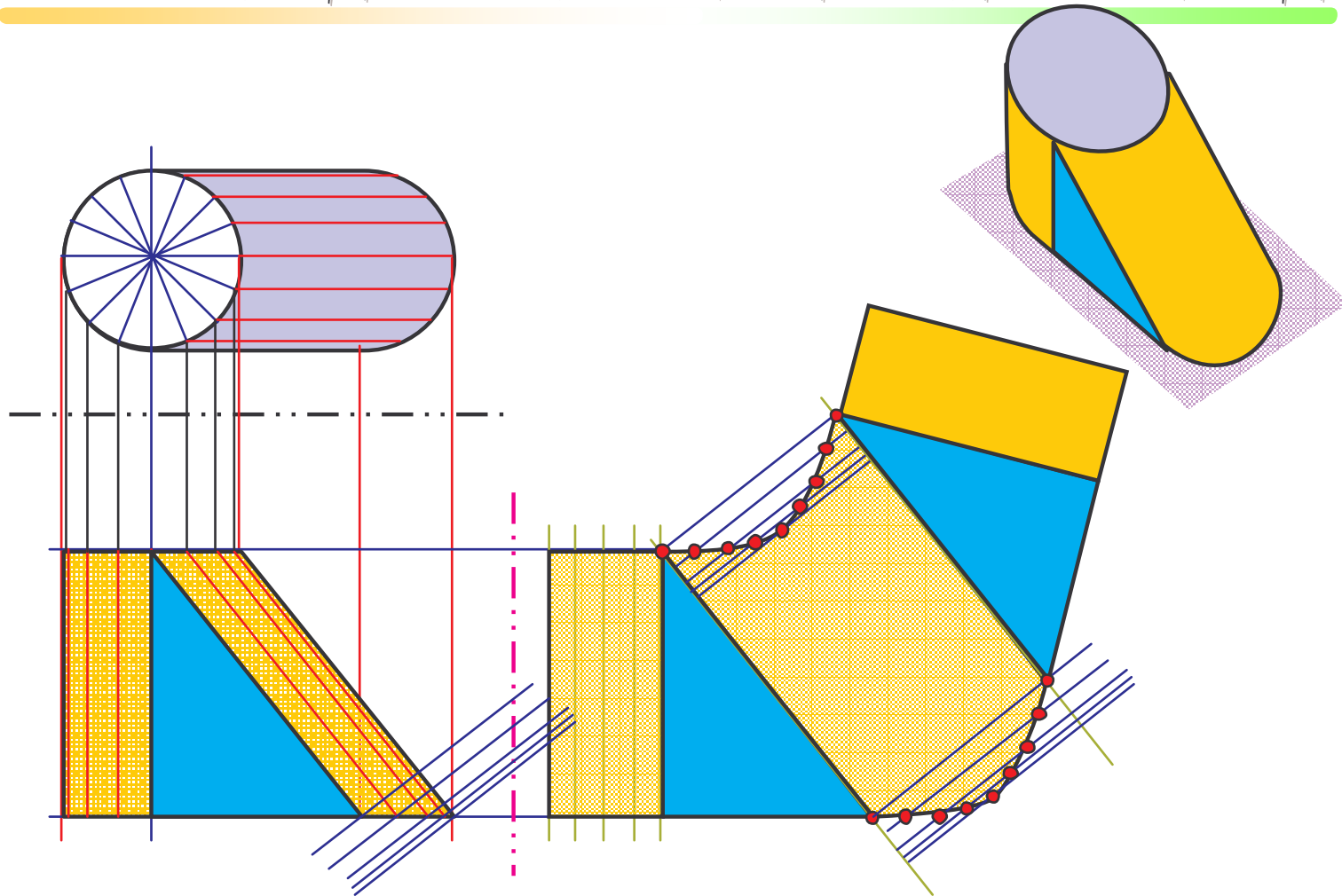
TRUNCATED CONE



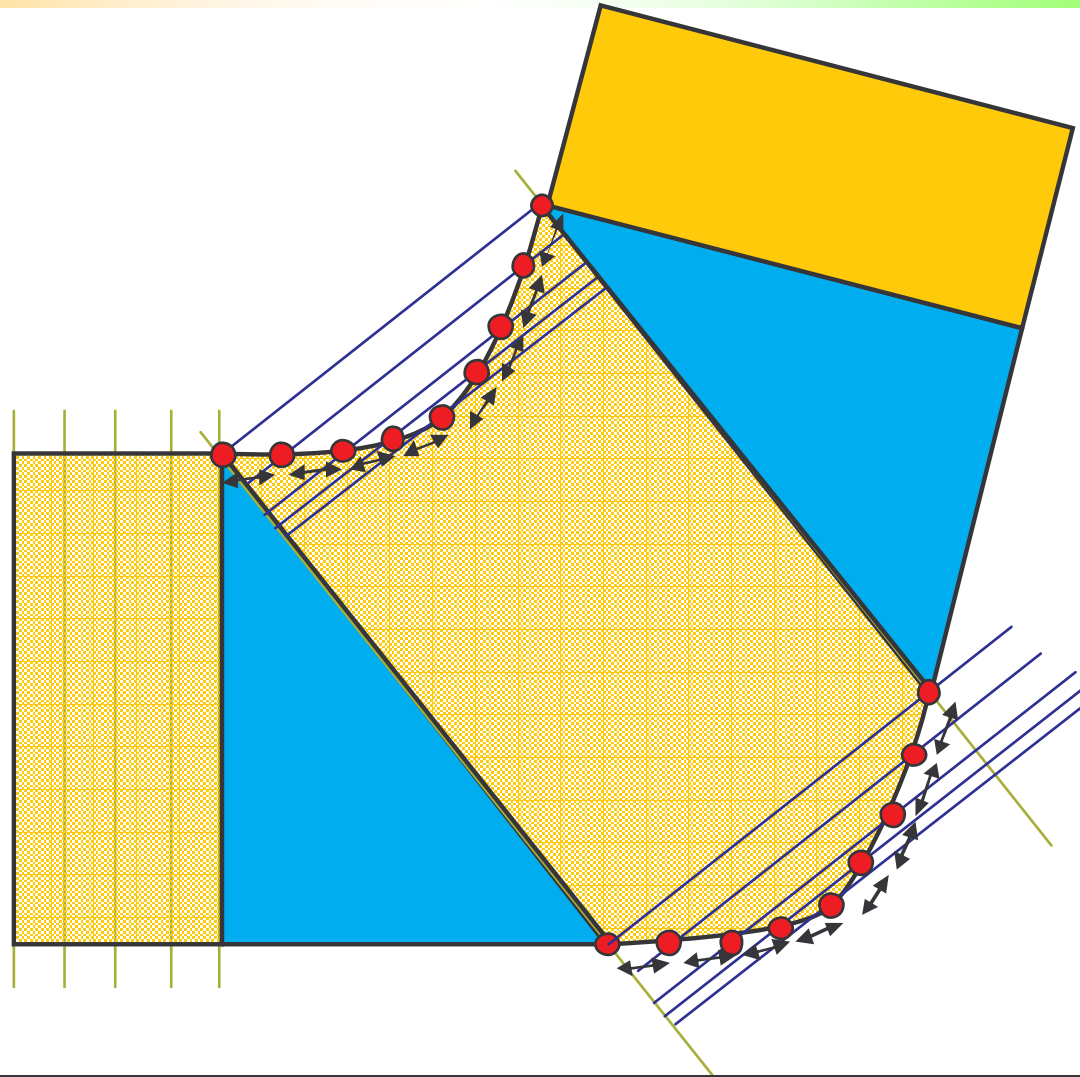
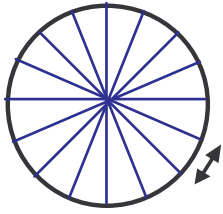


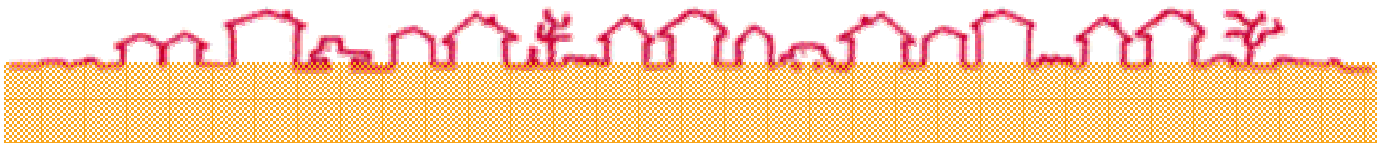
TRANSITION
SURFACES

CIRCLE TO ROUNDED RECTANGLE



CIRCLE TO ROUNDED RECTANGLE





Have a Great Day!!

