

## Lecture 22

# SPACE GEOMETRY

:: DEVELOPMENT OF SURFACES  
- SPECIAL TRANSITION SURFACES



TA 101 : Engineering Graphics

2007-08 Semester II

January – May 2008

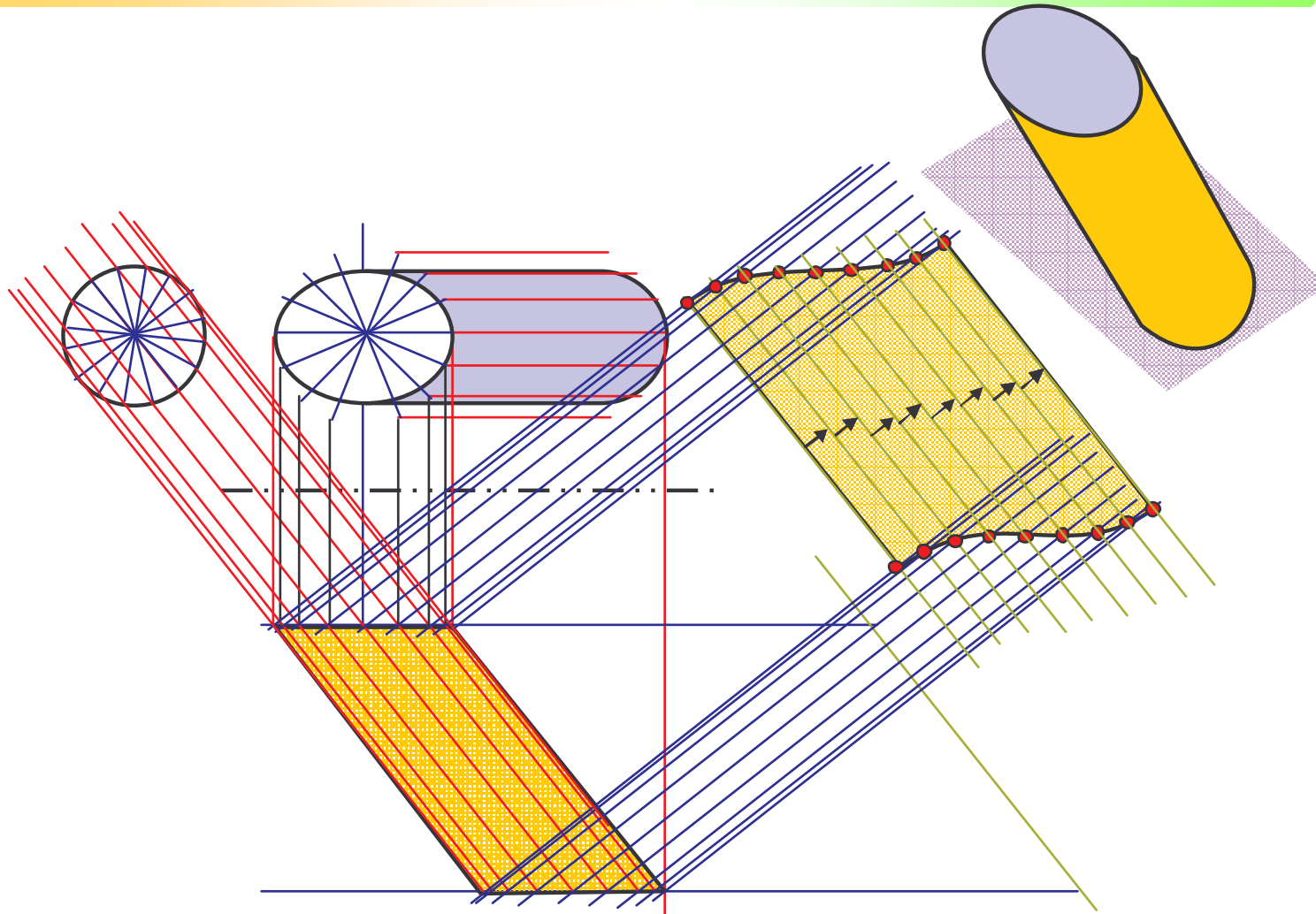
# OUTLINE

- Examples
- Transition Surfaces

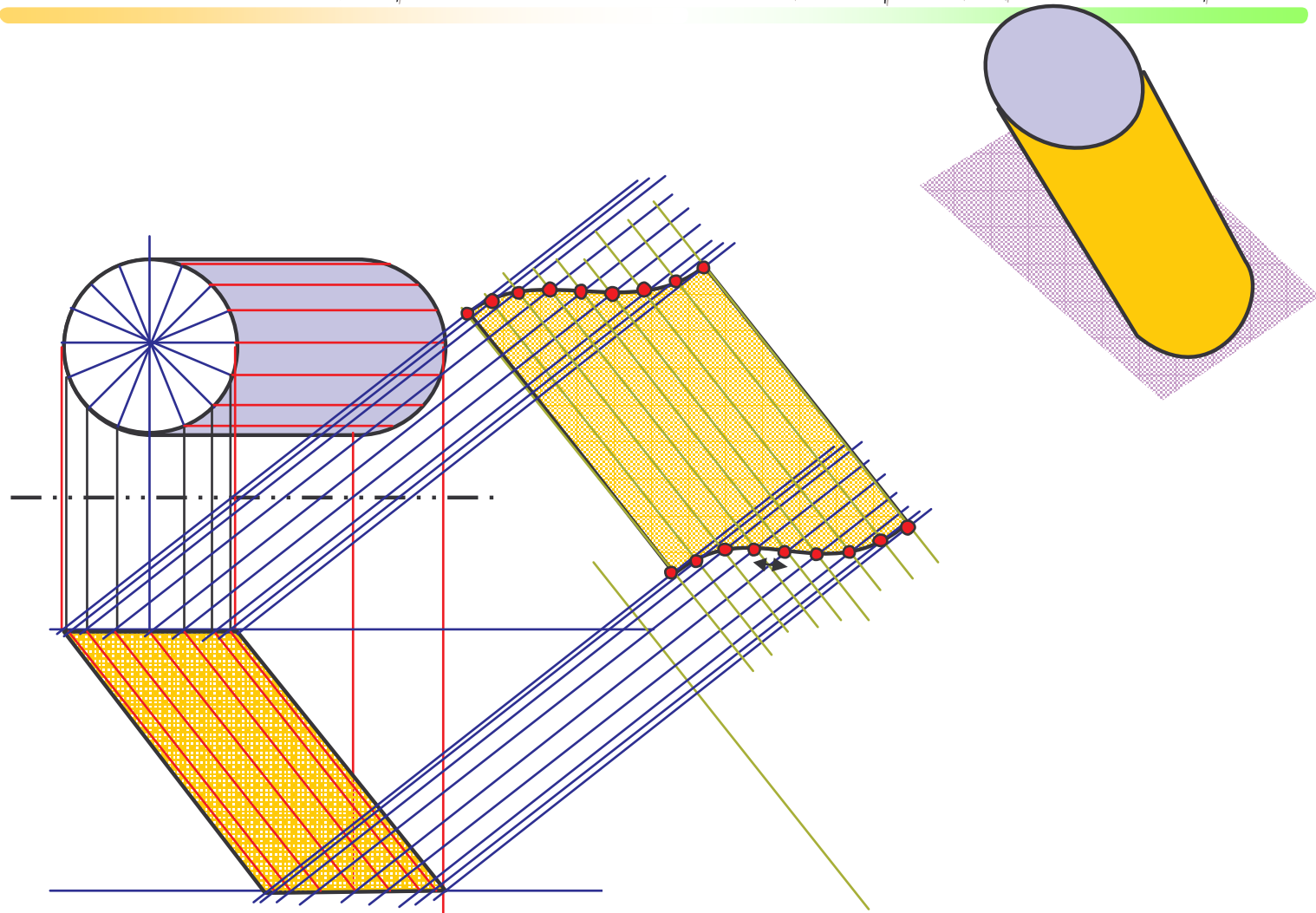


# EXAMPLES

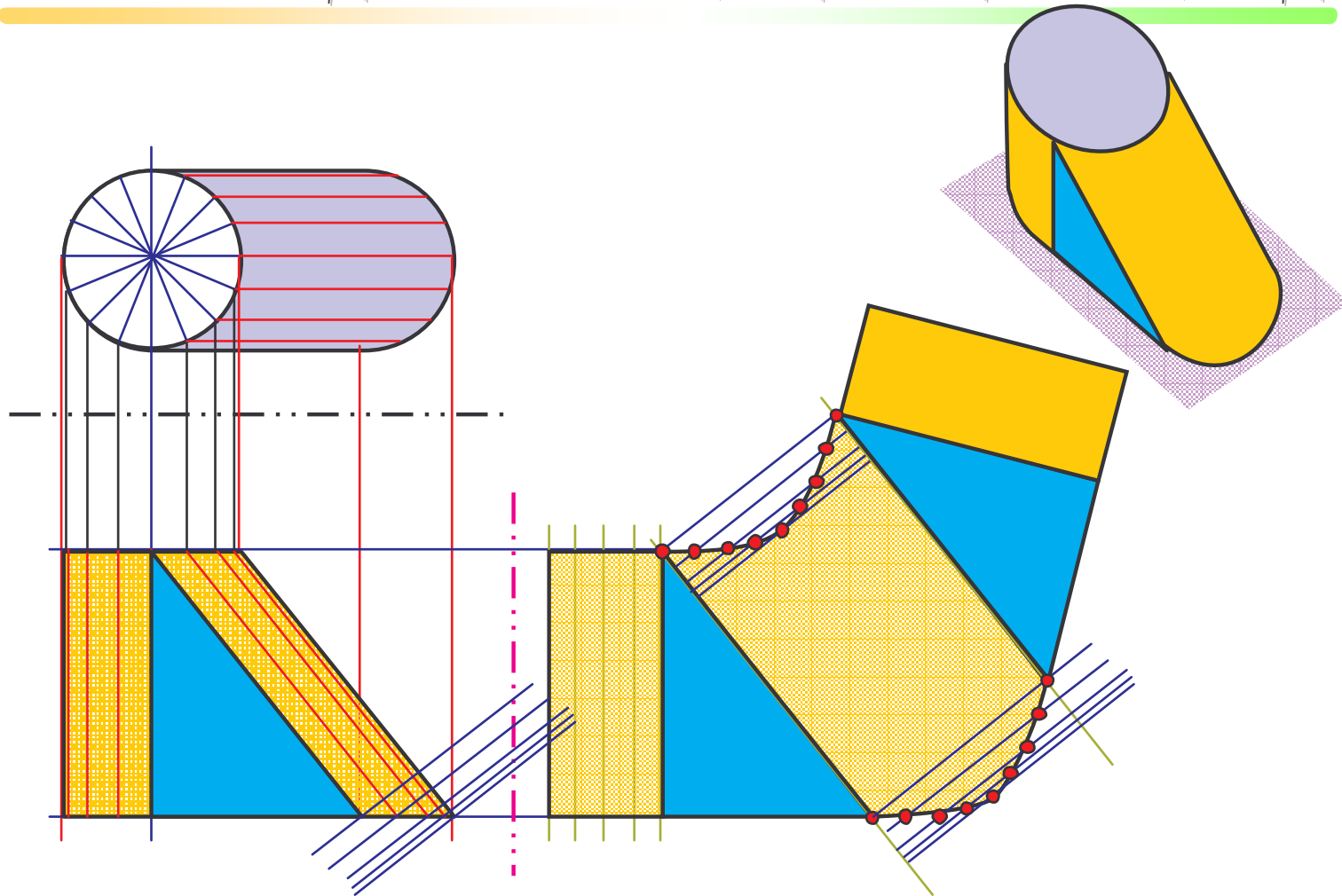
# FRUSTUM OF INCLINED CYLINDER



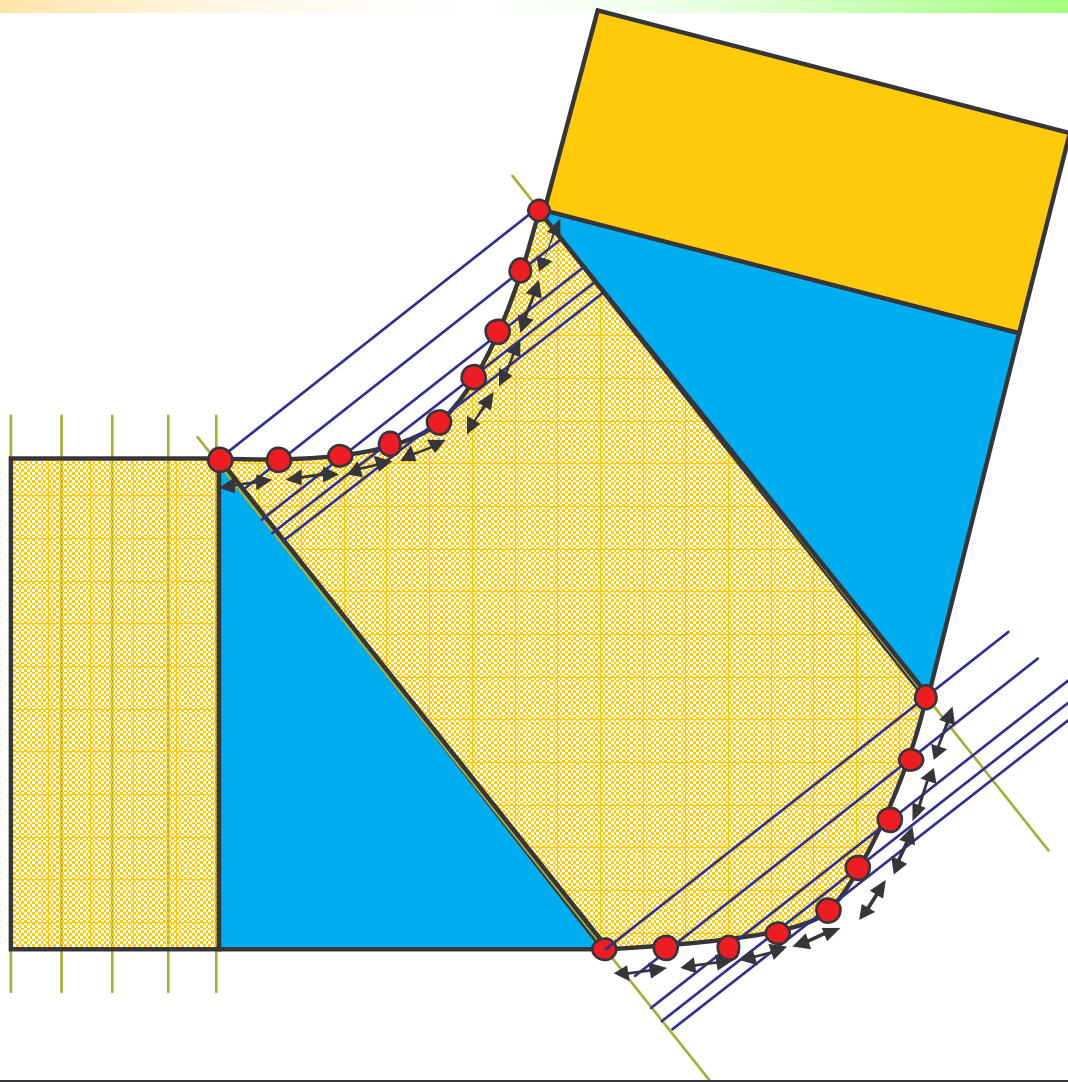
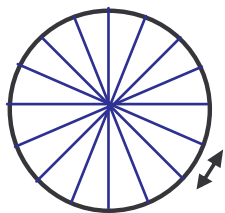
# FRUSTUM OF INCLINED PRISM

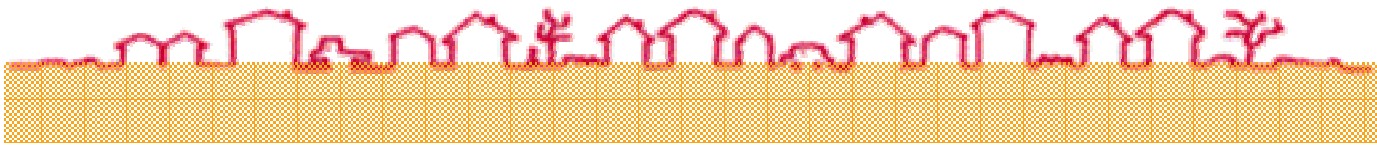


# CIRCLE TO ROUNDED RECTANGLE



# CIRCLE TO ROUNDED RECTANGLE





Have a Great Day!!

