

Second Mid-Semester Examination

ORTHOGRAPHIC PROJECTIONS



TA 101 : Engineering Graphics

2007-08 Semester II

January – May 2008

EXAMINATION DETAILS

- 12 March 2008
 - Closed Book
 - 8am – 9:15am
 - Marks: 20
 - Drawing Hall Complex

COMMENTS

- **Notes**

- 1. Complete the TITLE BLOCK before beginning to answer the questions.
- 2. Do not exchange drawing instruments during the examination.
- 3. Do not use any electronic calculator.

OUTLINE

- Two questions
 - Orthographic Views
 - Isometric Drawing

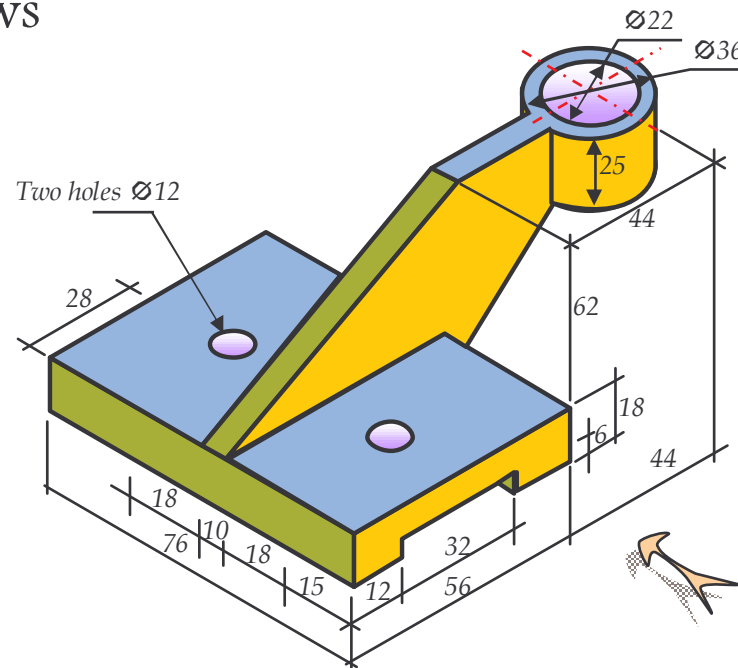


QUESTION 1

STATEMENT

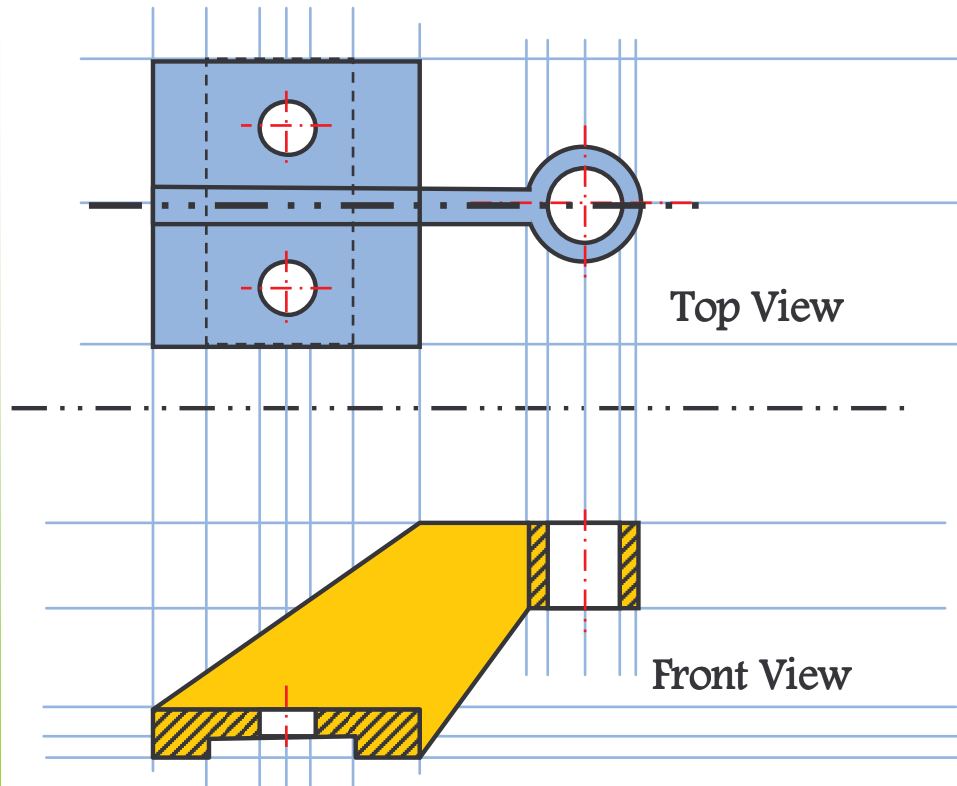
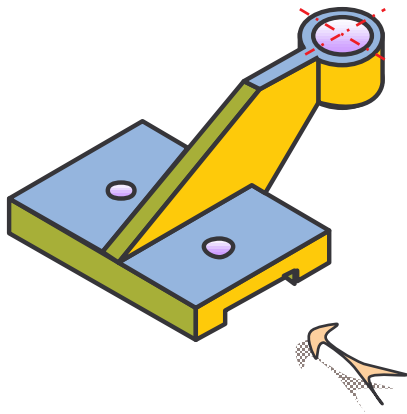
- Draw top and front orthographic views
 - At least one of these views must be a sectional view
 - Planar symmetric object
 - THIRD ANGLE PROJECTION
 - Dimension the views

10 marks



The vertical rib starts on the front side from the bottom of the pedestal.

SOLUTION



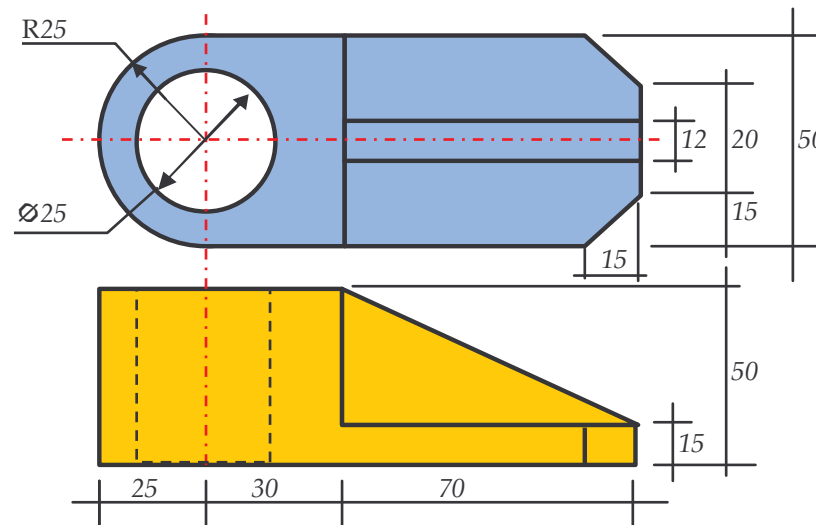


QUESTION 2

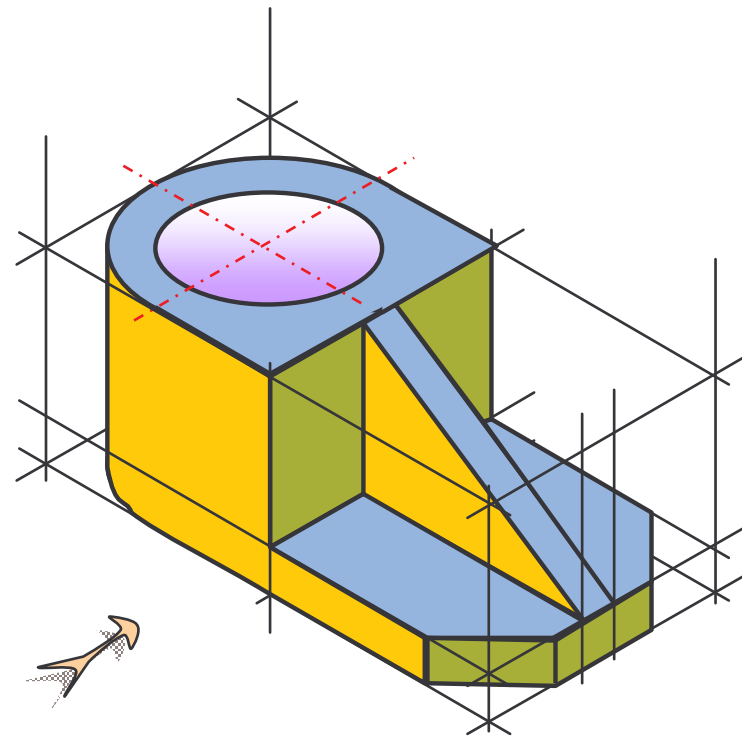
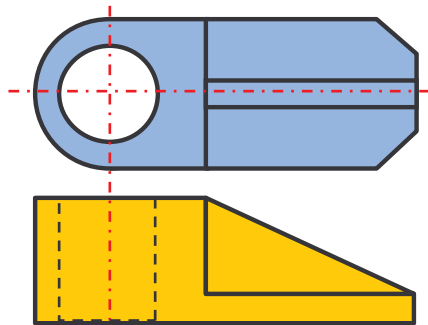
STATEMENT

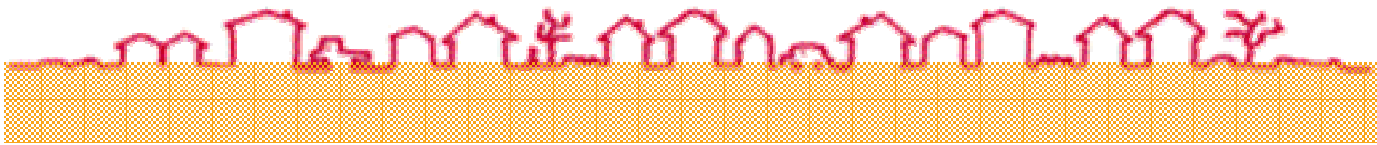
- Make an isometric drawing
 - Planar symmetric object
 - Orthographic views shown
 - Third angle projection

10 marks



SOLUTION





All the best !!

